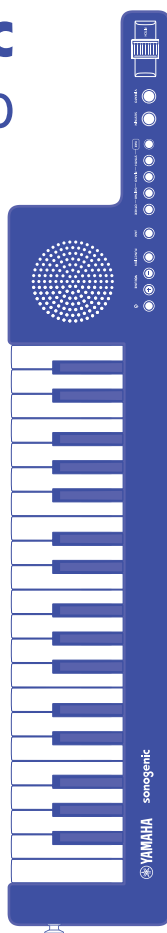


 **YAMAHA**
sonogenic
SHS-300



Owner's Manual
Mode d'emploi
Manual de instrucciones

Before using the instrument, be sure to read "PRECAUTIONS" on pages 5-9.
Avant d'utiliser l'instrument, lisez attentivement la section « PRÉCAUTIONS D'USAGE » aux pages 5-9.
Antes de utilizar el instrumento, lea las "PRECAUCIONES," en las páginas 5-9.

EN | **FR** | **ES**

English

Français

Español

SPECIAL MESSAGE SECTION

This product utilizes batteries or an external power supply (adapter). DO NOT connect this product to any power supply or adapter other than one described in the manual, on the name plate, or specifically recommended by Yamaha.

WARNING: Do not place this product in a position where anyone could walk on, trip over, or roll anything over power or connecting cords of any kind. The use of an extension cord is not recommended! If you must use an extension cord, the minimum wire size for a 25' cord (or less) is 18 AWG. NOTE: The smaller the AWG number, the larger the current handling capacity. For longer extension cords, consult a local electrician.

This product should be used only with the components supplied or; a cart, rack, or stand that is recommended by Yamaha. If a cart, etc., is used, please observe all safety markings and instructions that accompany the accessory product.

SPECIFICATIONS SUBJECT TO CHANGE:

The information contained in this manual is believed to be correct at the time of printing. However, Yamaha reserves the right to change or modify any of the specifications without notice or obligation to update existing units.

This product, either alone or in combination with an amplifier and headphones or speaker/s, may be capable of producing sound levels that could cause permanent hearing loss. DO NOT operate for long periods of time at a high volume level or at a level that is uncomfortable. If you experience any hearing loss or ringing in the ears, you should consult an audiologist. IMPORTANT: The louder the sound, the shorter the time period before damage occurs.

Some Yamaha products may have benches and / or accessory mounting fixtures that are either supplied with the product or as optional accessories. Some of these items are designed to be dealer assembled or installed. Please make sure that benches are stable and any optional fixtures (where applicable) are well secured BEFORE using. Benches supplied by Yamaha are designed for seating only. No other uses are recommended.

NOTICE:

Service charges incurred due to a lack of knowledge relating to how a function or effect works (when the unit is operating as designed) are not covered by the manufacturer's warranty, and are therefore the owners responsibility. Please study this manual carefully and consult your dealer before requesting service.

ENVIRONMENTAL ISSUES:

Yamaha strives to produce products that are both user safe and environmentally friendly. We sincerely believe that our products and the production methods used to produce them, meet these goals. In keeping with both the letter and the spirit of the law, we want you to be aware of the following:

Battery Notice:

This product MAY contain a small non-rechargeable battery which (if applicable) is soldered in place. The average life span of this type of battery is approximately five years. When replacement becomes necessary, contact a qualified service representative to perform the replacement.

This product may also use "household" type batteries. Some of these may be rechargeable. Make sure that the battery being charged is a rechargeable type and that the charger is intended for the battery being charged.

When installing batteries, never mix old batteries with new ones, and never mix different types of batteries. Batteries MUST be installed correctly. Mismatches or incorrect installation may result in overheating and battery case rupture.

Warning:

Do not attempt to disassemble, or incinerate any battery. Keep all batteries away from children. Dispose of used batteries promptly and as regulated by the laws in your area. Note: Check with any retailer of household type batteries in your area for battery disposal information.

Disposal Notice:

Should this product become damaged beyond repair, or for some reason its useful life is considered to be at an end, please observe all local, state, and federal regulations that relate to the disposal of products that contain lead, batteries, plastics, etc. If your dealer is unable to assist you, please contact Yamaha directly.

NAME PLATE LOCATION:

The name plate is located on the bottom of the product. The model number, serial number, power requirements, etc., are located on this plate. You should record the model number, serial number, and the date of purchase in the spaces provided below and retain this manual as a permanent record of your purchase.

Model

Serial No.

Purchase Date

92-BP (bottom)

PLEASE KEEP THIS MANUAL

FCC INFORMATION (U.S.A.)

1. IMPORTANT NOTICE: DO NOT MODIFY THIS UNIT!

This product, when installed as indicated in the instructions contained in this manual, meets FCC requirements. Modifications not expressly approved by Yamaha may void your authority, granted by the FCC, to use the product.

2. IMPORTANT:

When connecting this product to accessories and/or another product use only high quality shielded cables. Cable/s supplied with this product MUST be used. Follow all installation instructions. Failure to follow instructions could void your FCC authorization to use this product in the USA.

3. NOTE:

This product has been tested and found to comply with the requirements listed in FCC Regulations, Part 15 for Class "B" digital devices. Compliance with these requirements provides a reasonable level of assurance that your use of this product in a residential environment will not result in harmful interference with other electronic devices. This equipment generates/uses radio frequencies and, if not installed and used according to the instructions found in the users manual, may cause interference harmful to the operation of other electronic devices. Compliance with FCC regulations does not

guarantee that interference will not occur in all installations. If this product is found to be the source of interference, which can be determined by turning the unit "OFF" and "ON", please try to eliminate the problem by using one of the following measures:

Relocate either this product or the device that is being affected by the interference.

Utilize power outlets that are on different branch (circuit breaker or fuse) circuits or install AC line filter/s.

In the case of radio or TV interference, relocate/reorient the antenna. If the antenna lead-in is 300 ohm ribbon lead, change the lead-in to co-axial type cable.

If these corrective measures do not produce satisfactory results, please contact the local retailer authorized to distribute this type of product. If you can not locate the appropriate retailer, please contact Yamaha Corporation of America, Electronic Service Division, 6600 Orangethorpe Ave, Buena Park, CA90620

The above statements apply ONLY to those products distributed by Yamaha Corporation of America or its subsidiaries.

* This applies only to products distributed by Yamaha Corporation of America.

(class B)

COMPLIANCE INFORMATION STATEMENT (Supplier's declaration of conformity procedure)

Responsible Party : Yamaha Corporation of America
Address : 6600 Orangethorpe Ave., Buena Park, Calif. 90620
Telephone : 714-522-9011
Type of Equipment : Digital Keyboard
Model Name : SHS-300

This device complies with Part 15 of the FCC Rules.

Operation is subject to the following two conditions:

- 1) this device may not cause harmful interference, and
- 2) this device must accept any interference received including interference that may cause undesired operation.

* This applies only to products distributed by Yamaha Corporation of America.

(FCC SDoC)

The model number, serial number, power requirements, etc., may be found on or near the name plate, which is at the bottom of the unit. You should note this serial number in the space provided below and retain this manual as a permanent record of your purchase to aid identification in the event of theft.

Model No.

Serial No.

(bottom_en_01)

Information for users on collection and disposal of old equipment and used batteries:



These symbols on the products, packaging, and/or accompanying documents mean that used electrical and electronic products and batteries should not be mixed with general household waste.

For proper treatment, recovery and recycling of old products and used batteries, please take them to applicable collection points, in accordance with your national legislation.

By disposing of these products and batteries correctly, you will help to save valuable resources and prevent any potential negative effects on human health and the environment which could otherwise arise from inappropriate waste handling.



For more information about collection and recycling of old products and batteries, please contact your local municipality, your waste disposal service or the point of sale where you purchased the items.

For business users in the European Union:

If you wish to discard electrical and electronic equipment, please contact your dealer or supplier for further information.



Information on Disposal in other Countries outside the European Union:

These symbols are only valid in the European Union. If you wish to discard these items, please contact your local authorities or dealer and ask for the correct method of disposal.

Note for the battery symbol (bottom two symbol examples):

This symbol might be used in combination with a chemical symbol. In this case it complies with the requirement set by the EU Battery Directive for the chemical involved.

Cd

(weee_battery_eu_en_02)

PRECAUTIONS

PLEASE READ CAREFULLY BEFORE PROCEEDING

Please keep this manual in a safe and handy place for future reference.



WARNING

Always follow the basic precautions listed below to avoid the possibility of serious injury or even death from electrical shock, short-circuiting, damages, fire or other hazards. These precautions include, but are not limited to, the following:

Power supply

- Do not place the USB cable near heat sources such as heaters or radiators. Also, do not excessively bend or otherwise damage the cable, or place heavy objects on it.
- Only use the voltage specified as correct for the instrument. The required voltage is printed on the name plate of the instrument.
- Do not use the supplied USB cable for any other instrument. Doing so might cause a damage to the instrument, overheating or fire.
- Check the electric plug periodically and remove any dirt or dust which may have accumulated on it.

Do not open

- This instrument contains no user-serviceable parts. Do not open the instrument or attempt to disassemble or modify the internal components in any way. If it should appear to be malfunctioning, discontinue use immediately and have it inspected by qualified Yamaha service personnel.

Water warning

- Do not expose the instrument to rain, use it near water or in damp or wet conditions, or place on it any containers (such as vases, bottles or glasses) containing liquids which might spill into any openings. If any liquid such as water seeps into the instrument, turn off the power immediately and disconnect the plug from the AC outlet. Then have the instrument inspected by qualified Yamaha service personnel.
- Never insert or remove an electric plug with wet hands.

Fire warning

- Do not put burning items, such as candles, on the unit. A burning item may fall over and cause a fire.

Influences on electro-medical devices

- Radio waves or magnetism may affect electro-medical devices.
 - Do not use this product near medical devices or inside areas in which the use of radio waves is restricted.
 - Do not use this product within 15 cm (6 in.) of persons with a heart pacemaker or defibrillator implant.

Battery

- Follow the precautions below. Failure to do so might result in explosion, fire, overheating or battery fluid leakage.
 - Do not tamper with or disassemble batteries.
 - Do not dispose of batteries in fire.
 - Do not attempt to recharge batteries that are not designed to be charged.
 - Keep the batteries separate from metallic objects such as necklaces, hairpins, coins, and keys.
 - Use the specified battery type (page 33) only.
 - Use new batteries, all of which are the same type, same model, and made by the same manufacturer.

- Always make sure all batteries are inserted in conformity with the +/- polarity markings.
- When the batteries run out, or if the instrument is not to be used for a long time, remove the batteries from the instrument.
- When using Ni-MH batteries, follow the instructions that came with the batteries. Use only the specified charger device when charging.
- Keep batteries away from small children who might accidentally swallow them.
- If the batteries do leak, avoid contact with the leaked fluid. If the battery fluid should come in contact with your eyes, mouth, or skin, wash immediately with water and consult a doctor. Battery fluid is corrosive and may possibly cause loss of sight or chemical burns.

If you notice any abnormality

- When one of the following problems occur, immediately turn off the power switch and disconnect the electric plug from the outlet. (If you are using batteries, remove all batteries from the instrument.) Then have the device inspected by Yamaha service personnel.
 - The USB cable or plug becomes frayed or damaged.
 - It emits unusual smells or smoke.
 - Some object has been dropped into the instrument.
 - There is a sudden loss of sound during use of the instrument.
 - If any cracks or breakages exist on the instrument.



CAUTION

Always follow the basic precautions listed below to avoid the possibility of physical injury to you or others, or damage to the instrument or other property. These precautions include, but are not limited to, the following:

Power supply

- Do not connect the instrument to an electrical outlet using a multiple-connector. Doing so can result in lower sound quality, or possibly cause overheating in the outlet.
- When removing the electric plug from the instrument or an outlet, always hold the plug itself and not the USB cable. Pulling by the cable can damage it.
- Remove the electric plug from the outlet when the instrument is not to be used for extended periods of time, or during electrical storms.
- Use the specified USB power adaptor (pages 17, 33) only. Using the wrong adaptor can result in damage to the instrument or overheating.

Location

- Do not place the instrument in an unstable position where it might accidentally fall over.
- Before moving the instrument, remove all connected cables, to prevent damage to the cables or injury to anyone who might trip over them.
- When using an electric plug, make sure that the AC outlet you are using is easily accessible in plain view. If some trouble or malfunction occurs, immediately turn off the power switch and disconnect the plug from the outlet. Even when the power switch is turned off, electricity is still flowing to the product at the minimum level. When you are not using the product for a long time, make sure to disconnect the plug from the wall AC outlet.

Connections

- Before connecting the instrument to other electronic components, turn off the power for all components. Before turning the power on or off for all components, set all volume levels to minimum.
- Be sure to set the volumes of all components at their minimum levels and gradually raise the volume controls while playing the instrument to set the desired listening level.

Handling caution

- Do not insert your finger or hand in any gaps on the instrument.
- Never insert or drop paper, metallic, or other objects into the gaps on the panel or keyboard. This could cause physical injury to you or others, damage to the instrument or other property, or operational failure.
- Do not rest your weight on, or place heavy objects on the instrument, and do not use excessive force on the buttons, switches or connectors.
- Keep small parts out of the reach of infants. Your children may accidentally swallow them.
- Do not use the instrument/device or headphones for a long period of time at a high or uncomfortable volume level, since this can cause permanent hearing loss. If you experience any hearing loss or ringing in the ears, consult a physician.
- When using a strap, make sure the strap is securely attached to the instrument.
- Do not lift the instrument by the strap. It can cause serious injury or damage to the instrument.
- Do not treat the instrument in a rough manner such as swinging it about, etc. The strap on the instrument may detach causing unexpected accidents such as the instrument dropping, etc., or injuring persons close by.

Yamaha cannot be held responsible for damage caused by improper use or modifications to the instrument, or data that is lost or destroyed.

Always turn the power off when the instrument is not in use.

Even when the instrument is in standby mode ([VAR] (Variation) lamp is off), electricity is still flowing to the instrument at the minimum level.

When you are not using the instrument for a long time, make sure you disconnect the plug from the wall AC outlet.

Make sure to discard used batteries according to local regulations.

NOTICE

To avoid the possibility of malfunction/ damage to the product, damage to data, or damage to other property, follow the notices below.

■ Handling

- Do not use the instrument in the vicinity of a TV, radio, stereo equipment, mobile phone, or other electric devices. Otherwise, the instrument, TV, or radio may generate noise. When you use the instrument along with an application on your iPad, iPhone or iPod touch, we recommend that you set “Airplane Mode” to “ON” on the device and then the Bluetooth® setting to “ON” in order to avoid noise caused by communication.
- Do not expose the instrument to excessive dust or vibrations, or extreme cold or heat (such as in direct sunlight, near a heater, or in a car during the day) to prevent the possibility of panel disfiguration, damage to the internal components or unstable operation. (Verified operating temperature range: 5° – 40°C, or 41° – 104°F.)
- Do not place vinyl, plastic or rubber objects on the instrument, since this might discolor the panel or keyboard.

■ Maintenance

- When cleaning the instrument, use a soft and dry cloth. Do not use paint thinners, solvents, alcohol, cleaning fluids, or chemical-impregnated wiping cloths.

■ Saving data

- Some of the data of this instrument (page 30) are retained when the power is turned off. However, the saved data may be lost due to some failure, an operation mistake, etc.

Information

■ About copyrights

- Copying of the commercially available musical data including but not limited to MIDI data and/or audio data is strictly prohibited except for your personal use.
- This product incorporates and bundles contents in which Yamaha owns copyrights or with respect to which Yamaha has license to use others' copyrights. Due to copyright laws and other relevant laws, you are NOT allowed to distribute media in which these contents are saved or recorded and remain virtually the same or very similar to those in the product.
 - * The contents described above include a computer program, Accompaniment Style data, MIDI data, WAVE data, voice recording data, a score, score data, etc.
 - * You are allowed to distribute medium in which your performance or music production using these contents is recorded, and the permission of Yamaha Corporation is not required in such cases.

■ About this manual

- The illustrations as shown in this manual are for instructional purposes only, and may appear somewhat different from those on your instrument.
- The letters at the end of the model name (“WH” or “BU”) are color information of the instrument. Since they simply indicate the color, these letters are omitted in this manual.
- Mac, iPhone, iPad, iPod touch and Lightning are trademarks of Apple Inc., registered in the U.S. and other countries.
- Android™ is a trademark of Google LLC.
- The Bluetooth® word mark and logos are registered trademarks owned by Bluetooth SIG, Inc. and any use of such marks by Yamaha Corporation is under license.



- The company names and product names in this manual are the trademarks or registered trademarks of their respective companies.

About Bluetooth

Bluetooth is a technology for wireless communication between devices within an area of about 10 meters (33 ft.) employing the 2.4 GHz frequency band.

■ Handling Bluetooth communications

- The 2.4 GHz band used by Bluetooth compatible devices is a radio band shared by many types of equipment. While Bluetooth compatible devices use a technology minimizing the influence of other components using the same radio band, such influence may reduce the speed or distance of communications and in some cases interrupt communications.
- The speed of signal transfer and the distance at which communication is possible differs according to the distance between the communicating devices, the presence of obstacles, radio wave conditions and the type of equipment.
- Yamaha does not guarantee all wireless connections between this unit and devices compatible with Bluetooth function.

Your particular instrument does not have Bluetooth capability if a “Y” indication is printed on the upper-right corner of the label at the bottom.



Thank you for purchasing the Yamaha Digital Keyboard!
This instrument not only lets you enjoy playing the keyboard—even strapped around your shoulder like a guitar—but also gives you powerful, fun tools for effortlessly playing along with your favorite music, by connecting to the Chord Tracker smart device app. We recommend that you read this manual carefully so that you can fully take advantage of the advanced and convenient functions of the instrument. We also recommend that you keep this manual in a safe and handy place for future reference.

About the Manuals

This instrument has the following documents and instructional materials.



Owner's Manual (this book)

Explains how to get started with the instrument and how to use main feature Jam function.



MIDI Reference (Online Manual)

Contains MIDI-related information for this instrument.

To obtain online manual (PDF), access the Yamaha Downloads website, then enter the model name for searching the desired files.

Yamaha Downloads

<https://download.yamaha.com/>

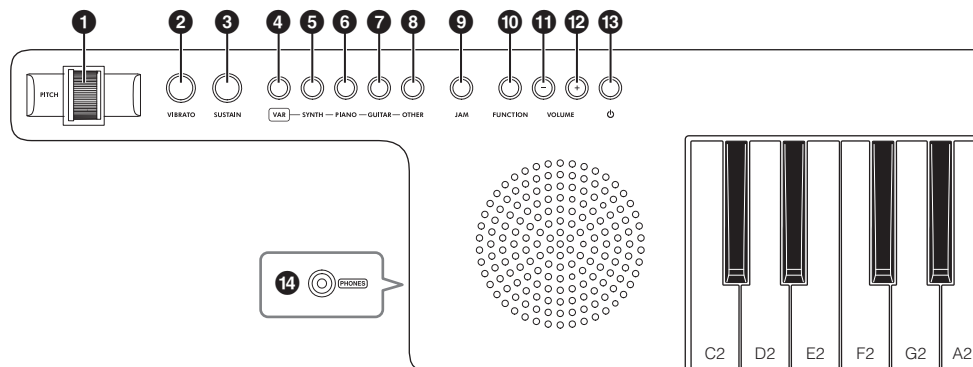
Included Accessories

- Owner's Manual x1
- USB cable x1
- Strap x1
- Online Member Product Registration x1

Contents

Panel Controls	12
Setting Up	15
Try Playing a Variety of Instrument Voices	20
Enjoy Playing with the Jam Function.....	21
Setting Up for MIDI Operation	26
Customizing the Settings	28
Backup and Initialization	30
Troubleshooting	31
Specifications	33
Index	35
Drum Kit List.....	36

Panel Controls



1 [PITCH] bend wheel

For adding smooth pitch variations to the notes you play on the keyboard. Roll the wheel toward you to raise the pitch, or away from you to lower it. With the 10 [FUNCTION] button, you can change the direction of the pitch bend (page 28).

2 [VIBRATO] button

Press this button to add a vibrato effect to notes played on the keyboard.

3 [SUSTAIN] button

Press this button to sustain the notes played on the keyboard. Release it to stop the sustain.

4 [VAR] (Variation) lamp

Glowes when the instrument is on, with the color indicating the selected Voice. See page 20 for more details on the Voices and color indications.

5 [SYNTH] button

Selects one of three synthesizer Voices each time this button is pressed.

6 [PIANO] button

Selects one of three piano Voices each time this button is pressed.

7 [GUITAR] button

Selects one of three guitar Voices each time this button is pressed.

8 [OTHER] button

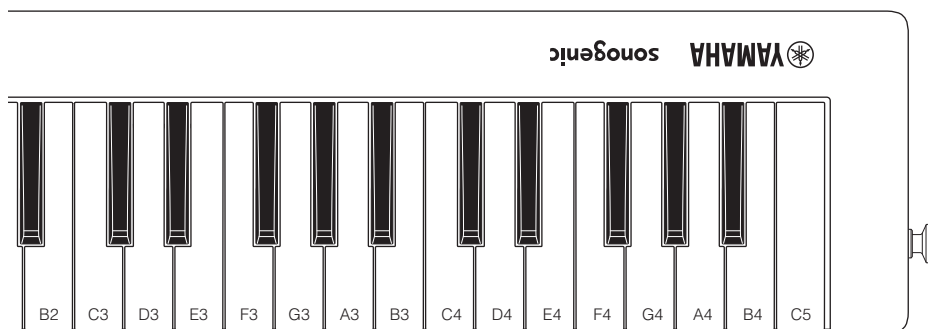
Selects one of three other Voices each time this button is pressed.

9 [JAM] button

With each button press, this turns on (lamp lights), selects the Jam mode in order, and then turns off the Jam function (lamp turns off). See page 25 for more details on Jam modes.

NOTE

When the Jam mode is set to on and the instrument receives new MIDI data, the lamp flashes momentarily.



10 [FUNCTION] button

For setting various functions. While holding down this button, press the keys corresponding to the function settings you want to change. See page 28 for details on the functions.

11 VOLUME [-] button

Each button press lowers the overall volume of the instrument. Holding down the button lowers the volume continuously.

12 VOLUME [+] button

Each button press raises the overall volume of the instrument. Holding down the button raises the volume continuously.

NOTE

- The setting range is 0 – 15; the default setting is 13.
- To reset to the default setting, press the VOLUME [-] button and VOLUME [+] button simultaneously.

13 [⏻] (Standby/On) button

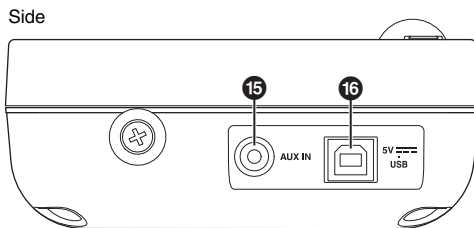
Press this button to turn on the instrument; the 4 [VAR] lamp lights. Press and hold this button for more than one second to put into standby mode.

14 [PHONES] jack

For connecting a pair of stereo headphones or other equipment with a mini stereo phone plug (3.5 mm). The instrument's built-in speakers automatically stop producing sound when plugged in. This allows you to connect, for example, to an external amplifier to drive external speakers.

CAUTION

- To prevent hearing loss, avoid using headphones at high volumes for extended periods of time.
- Before connecting the instrument to other electronic components, turn off the power of all the components. Also, before turning any components on or off, make sure to set all volume levels to minimum. Otherwise, damage to the components or electrical shock may occur.



15 [AUX IN] jack

For inputting the sound of an audio player and listening to it through the built-in speaker of the instrument (with 3.5 mm, mini stereo phone plug). To adjust the input volume from [AUX IN] jack, adjust the audio playback volume on the audio device.

CAUTION

To avoid possible damage, first turn on the power to the external device, then to the instrument. When turning off the power, first turn off the power to the instrument, then to the external device.

NOTE

- Use an appropriate adaptor plug if the output jack of the audio device does not match the stereo mini phone plug of the audio cable.
- Use audio cables and adaptor plugs that have no series resistors.

16 5V DC-IN / USB TO HOST terminal

For connection to a USB power adaptor, USB mobile battery (page 17), or smart device (page 23) with a USB cable. The instrument uses this connection to send and receive MIDI data when connected to a smart device or computer (page 26).

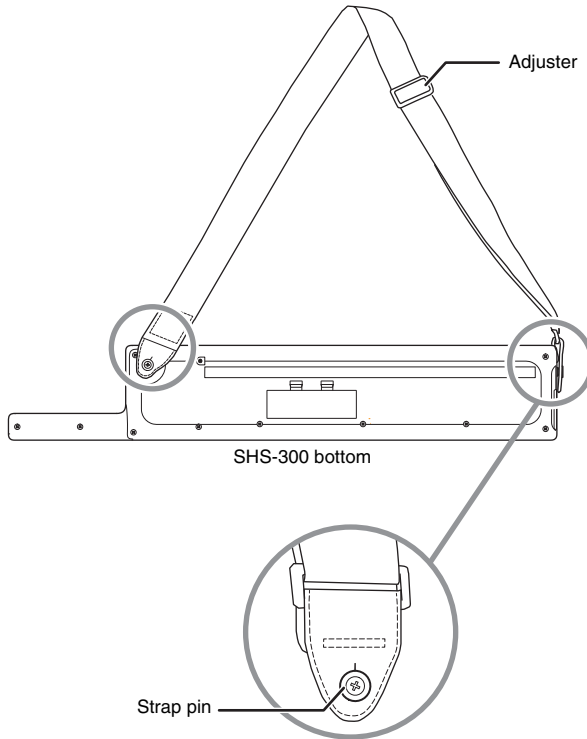
Setting Up

Attaching the Strap

Attach the included strap securely to the strap pins of the instrument as illustrated below. The strap has an adjuster allowing you to adjust it as desired.

⚠ CAUTION

- This strap is designed for use with only this instrument. Do not use for any other purpose.
- When using the strap, make sure the strap is securely attached to the instrument.
- Do not lift the instrument by the strap. Doing so can cause damage to the instrument or injury.
- Never loosen the screws mounting the strap pins.



Power Requirements

This instrument can be powered in one of the two ways listed below. Determine which you intend to use, and follow the instructions for setting up.

- **Using batteries (sold separately) → next section (below)**
- **Using a USB power adaptor or USB mobile battery (sold separately) → see page 17**

NOTICE

- **Use only the USB cable supplied with the instrument. Using the wrong USB cable can result in sound drop outs.**
- **Make sure that the instrument's power is turned off (the [VAR] lamp is off) before connecting the instrument.**

Using Batteries

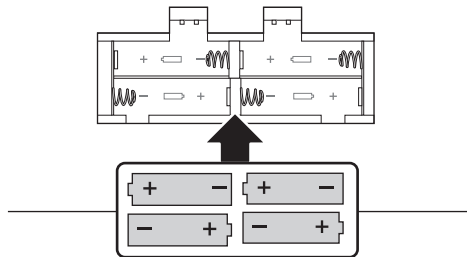
This instrument requires four "AA" size, Alkaline (LR6)/ Manganese (R6) batteries, or rechargeable nickel-metal hydride batteries (rechargeable Ni-MH batteries).

1. Make sure that the power of the instrument is off.

The [VAR] lamp will be off when the power is off.

2. Open the battery compartment cover located on the instrument's bottom panel.

3. Insert the four new batteries, being careful to follow the polarity markings on the inside of the compartment.



4. Replace the compartment cover, making sure that it locks firmly in place.

5. Setting the battery type.

Power on the instrument. While holding down the [FUNCTION] button, press the B3 key (page 29). Each key press switches the battery type. The presses produce a lower pitch beep for non-chargeable dry cell batteries (alkaline and manganese type) or a higher pitch beep for rechargeable batteries (Ni-MH type).

NOTICE

- Failure to set the battery type may shorten the life of the battery. Make sure to set the battery type correctly.
- Connecting or disconnecting the USB cable with batteries installed may turn the power off, resulting in loss of your custom settings data.
- When battery power becomes too low for proper operation, the volume may be reduced, the sound may be distorted, and other problems may occur. When this happens, make sure to replace all batteries with new ones or already recharged ones.

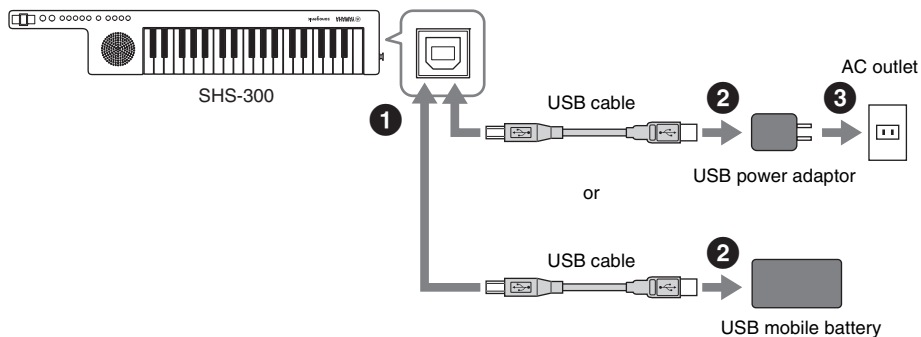
NOTE

- This instrument cannot be used to charge the batteries. Use only the specified charger device when charging.
- Power will be automatically drawn from the USB cable if a USB cable is connected while batteries are installed in the instrument.

Using a USB power adaptor or USB mobile battery (sold separately)

Connect the USB cable to a separately sold USB power adaptor or USB mobile battery in the order shown in the illustration.

Follow the order shown above in reverse when disconnecting the USB cable.



*The shape of the plug differs depending on your area.

CAUTION

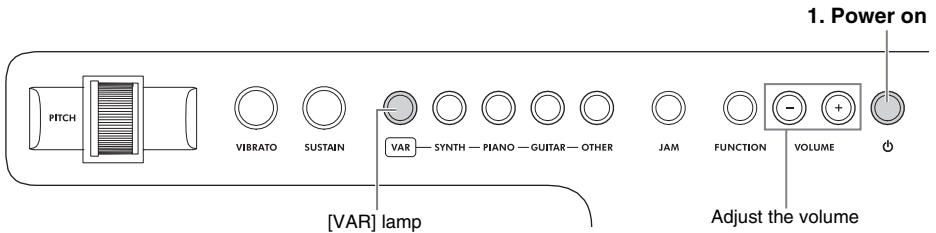
- Before using a USB power adaptor or USB mobile battery, be sure to read the relevant precautions.
- Use only a USB power adaptor or USB mobile battery compatible with the USB standard for power supply.
Output voltage 4.8 V to 5.2 V
Output current 1.0 A or greater

NOTICE

Some USB mobile batteries automatically stop supplying power when connected to a device with low current consumption, such as this instrument.
Use a USB mobile battery that has a low-current mode function, etc., and can supply power to devices with current consumption of 40 mA or less.

Turning on the Power / Setting to Standby

1. Press the [⏻] (Standby/On) button to turn the power on.



The [VAR] lamp is lit in red when the power is on.
Adjust the volume as desired while playing the keyboard.

If the overall volume is low, or no sound is heard, please confirm “Troubleshooting” on page 31.

CAUTION

Do not use the instrument or headphones for a long period of time at a high or uncomfortable volume level, since this can cause permanent hearing loss.

NOTICE

While turning on the power, do not attempt any other operations, such as pressing the keys. Doing so may cause the instrument to malfunction.

2. Press and hold the [⏻] (Standby/On) button for longer than one second to enable standby mode.

CAUTION

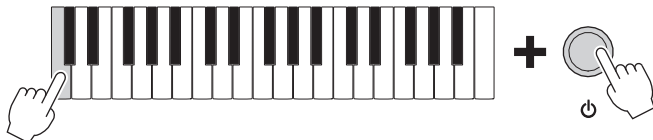
Even when in standby mode, electric current is still flowing to the instrument at the minimum level. When you are not using the instrument for a long time, make sure to disconnect the USB power adaptor from the AC outlet, or remove batteries from the instrument.

Enabling / Disabling Auto Power Off

To prevent unnecessary power consumption, this instrument features an Auto Power Off function that automatically turns the power off if the instrument is not operated for a specified period of time (30 minutes). With default, it is set to On, however, the setting can be changed with the [FUNCTION] button (page 29).

Disabling Auto Power Off

1. When the instrument is turned on, turn off the power.
2. Turn the power back on while holding down the lowest key on the keyboard.



Enabling Auto Power Off

To enable the Auto Power Off function, change the setting via the Function mode (page 29) or initialize the instrument (page 30).

NOTICE

- Some of the data of this instrument (page 30) are retained when the power is turned off.
- If your instrument is connected to other equipment such as amplifiers and speakers but you do not intend to use it for 30 minutes, we recommend that you turn off all devices as described in the corresponding owner's manuals. Doing so eliminates the risk of damage to the other equipment. If you do not want the instrument to turn off automatically when connected to other equipment, disable the Auto Power Off function.

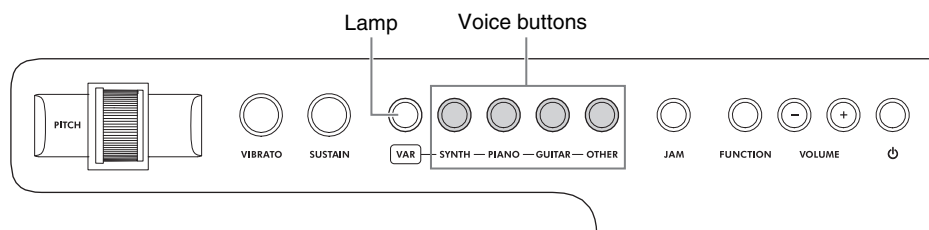
Try Playing a Variety of Instrument Voices

Selecting and Playing a Voice

You can change the keyboard Voice to another instrument Voice, such as strings, electric piano and others.

1. Press the Voice button corresponding to the desired category.

Each press on one of the four Voice buttons alternates among the three Voices assigned to that button.



Voice list

Voice category	Voice name	Lamp	MSB	LSB	PC No. (1-128)
SYNTH	Saw Lead	Red	0	0	83
	Square Lead	Pink	0	0	81
	Synth Brass	White	0	0	63
PIANO	Piano	Red	0	0	1
	Electric Piano	Pink	0	0	5
	Organ	White	0	0	17
GUITAR	Electric Guitar	Red	0	0	30
	Acoustic Guitar	Pink	0	0	26
	Electric Bass	White	0	0	34
OTHER	Strings	Red	0	0	50
	Synth Bass	Pink	0	0	39
	Dance Kit	White	127	0	113

NOTE

- The list above conveniently includes program change numbers (PC No.), which you should use when playing the instrument via MIDI from an external device.
- Program change numbers are often specified as numbers "0 – 127." Since this list uses a "1 – 128" numbering system, in some cases it may be necessary to subtract 1 from the actually transmitted program change numbers to select the appropriate sound. For example, to select No. 83 in the list above, actually transmit program change number 82.
- The Dance Kit Voice independently assigns various drum and percussion sounds to each key for playing on the keyboard. Details on the instruments and key assignments of each Drum Kit can be found in the Drum Kit List on page 36.

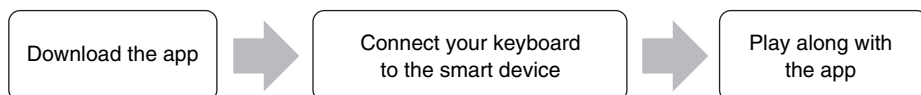
Enjoy Playing with the Jam Function

About the Jam Function

This incredibly cool and powerful performance feature lets you play along with songs stored on a smart device using the Chord Tracker smart device app. No matter which keys you press, the notes automatically match the song, so you don't have to worry about fingering or even knowing the proper scales and chords!

Playing Along with a Favorite Song

Try playing along with a song you have in your smart device. First, download the Chord Tracker app and connect your keyboard to the app.



Downloading the App

Download the free Chord Tracker app (iOS/Android).

Chord Tracker (free)



This app is compatible with iOS and Android devices. For information on release dates and the latest system requirements, see the website below.

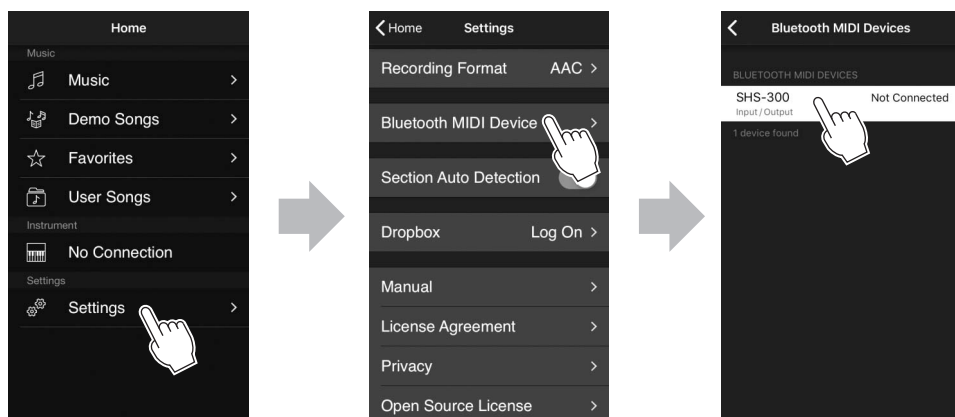
<https://www.yamaha.com/kbdapps/>

Bluetooth Connection

Depending on the country in which you purchased it, the instrument may not have Bluetooth capability. Refer to page 9 to check if your keyboard is equipped with Bluetooth functionality. If your instrument is not equipped with Bluetooth functionality or Bluetooth is not available for some reason, you can connect to this app with a USB cable. For details on USB connection, see the next page. On Android devices, the Chord Tracker app needs to be allowed to access device location information when asked to connect to Bluetooth MIDI devices. Note that this app will not access user location information using GPS or similar technology.

- 1. Turn the power to the instrument to on.**
- 2. Activate the Bluetooth function of the smart device.**
- 3. Start Chord Tracker and tap “Settings” → “Bluetooth MIDI Device” → “SHS-300” for iOS devices, or tap “Setting” → “SHS-300” for Android devices.**

When connection is successful, “Connected” is shown. If the device “SHS-300” does not appear in the “Bluetooth MIDI Device” screen, your instrument may not have Bluetooth capability.



* All screen captures are from iPhone. The middle screen appears on iOS devices only.

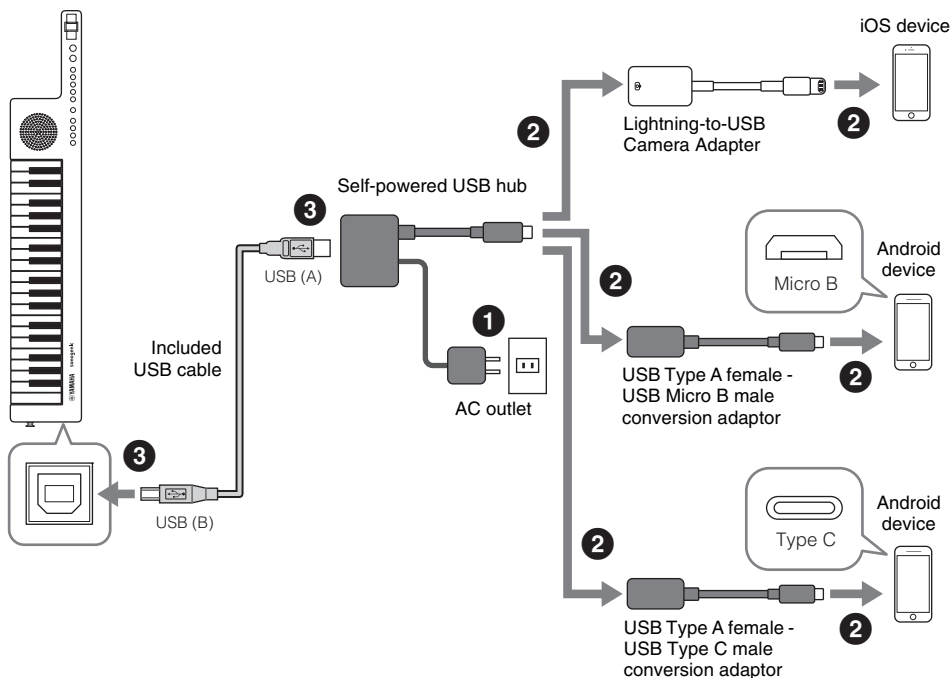
If the instrument cannot be connected to the app via Bluetooth, refer to “Troubleshooting” on page 31.

NOTE

Keep in mind that it is only MIDI data, and not audio data, that can be received and transmitted by this instrument via Bluetooth.

USB Cable Connection

Use the cable that comes with the instrument for USB connection. Using other USB cables can make the connection unreliable.



1. Turn off the power of the instrument, then connect your smart device to the instrument.

To properly connect the cables, carefully follow the indicated instruction steps as illustrated above. The necessary items for this connection differ depending on your smart device (as shown above) and are sold separately.

CAUTION

- Before using a USB hub, be sure to read its precautions.
- Use only a USB hub compatible with the USB standard for power supply.
Output voltage 4.8V - 5.2V
Output current 1.0A or greater

2. Turn on the instrument.

3. Set the “USB MIDI” function to ON (page 29).

While holding down the [FUNCTION] button, press the C5 key.

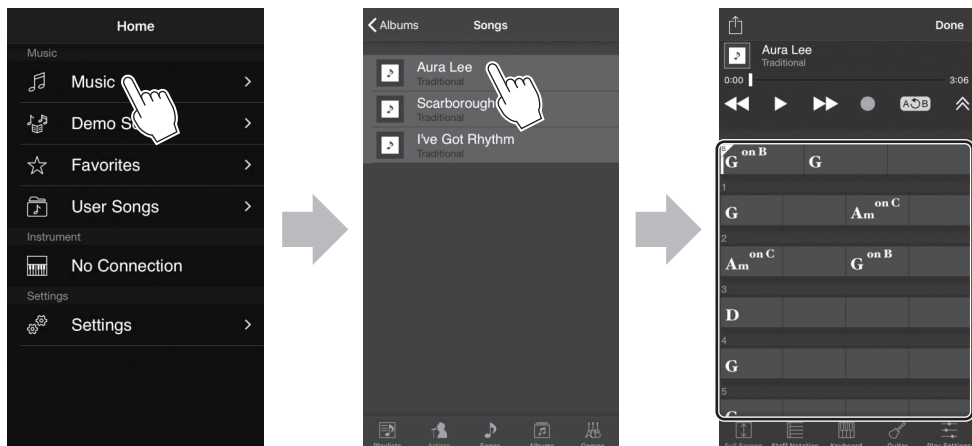
Playing with the Chord Tracker App

1. Connect the keyboard and the app via Bluetooth or a USB cable in advance.

For Bluetooth connection, see page 22. For USB cable connection, see page 23.

2. Start the Chord Tracker app and then select a song.

The app automatically begins analysis of the selected song then displays the detected chord data on your smart device as shown below.

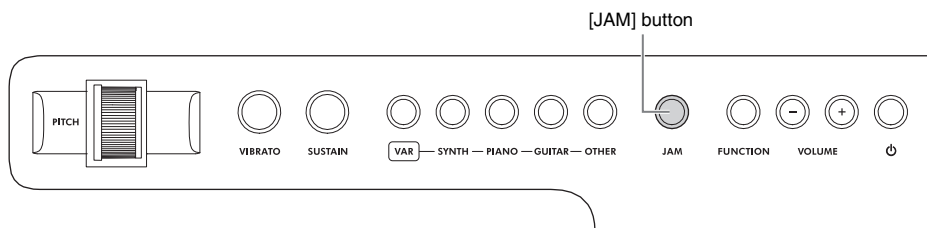


NOTE

Chord Tracker can analyze chord data with a high degree of accuracy, but in some cases, the detected chord progression may differ from that of the original song.

3. Press the [JAM] button to turn the Jam function on.

When the Jam mode is set to on, the button lights in red and the “1 Finger” mode is selected.



4. Select a Jam mode.

There are three Jam modes, each designed for a specific style of playing. Press the [JAM] button repeatedly (if necessary) to select the desired mode.

Jam modes

Lamp	Mode	Description
Off	—	Jam mode is disabled.
Red	1Finger	This mode is ideal for playing backing. It adds harmonies to the notes played on the keyboard, so that you can play full backing parts with even just one finger.
Pink	Backing	This mode is ideal for backing. Before starting out, try to feel the rhythm of the song. Then play chords in time with the music.
White	Melody A	This mode is ideal for playing melodies. Try creating interesting ad-lib phrases, and enjoy consistently beautiful musical results.

* When you want to play melodic parts on a keyboard, the app Chord Tracker's "Melody Cancellation" function may be useful because the function suppresses the vocal part of the song. For this operation, refer to the included manual within the app.

5. Play back a song with the app.

NOTE

As soon as song playback begins, the app starts transmitting chord information to the keyboard as MIDI data. Both the chord information and the selected Jam mode determine the sound which is produced when the keys are pressed.

Adjusting the volume

Use the controls on both the smart device and the instrument to adjust the volume.

6. Play along with the rhythm of the song.

Play professional sounding backing parts or melodies according to the selected Jam mode.

7. Finish your performance.

You can stop playback at any time from the app. Also, press the [JAM] button several times to turn off the Jam function (unlit) on the instrument and close the app on the smart device.

NOTE

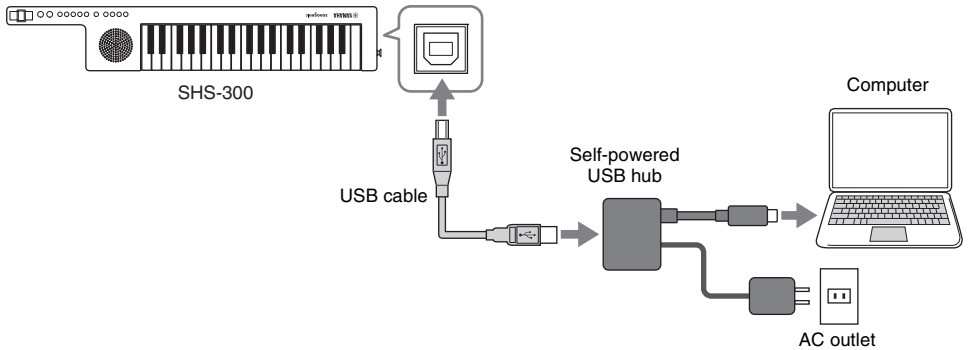
- For details on how to use this app, refer to the app manual.
- Transpose cannot be used during the Jam mode.

Setting Up for MIDI Operation

By connecting the instrument to a computer (or smart device) with a USB cable, MIDI data can be transferred between the instrument and the computer.

NOTICE

- Make sure to use only the USB cable included with the instrument.
- The USB hub must be self-powered (with its own power source).



NOTE

For smart device connection, see the illustration on page 24.

1. Turn off the power of the instrument, and then connect your computer or a smart device to the instrument with the USB cable.

Read and follow the USB hub instruction manual for proper connection setup.



CAUTION

- Before using a USB hub, be sure to read the relevant precautions.
 - Use only a USB hub compatible with the USB standard for power supply.
- Output voltage 4.8V - 5.2V
Output current 1.0A or greater

2. Turn on the power of the instrument.

3. Set the “USB MIDI” function to ON (page 29).

While holding down the [FUNCTION] button, press the C5 key.

Precautions when using the USB TO HOST terminal

When connecting the computer to the USB TO HOST terminal, make sure to observe the following points to avoid freezing the computer and corrupting or losing the data.

NOTICE

- **Execute the following before turning the power to the instrument on/off or plugging/unplugging the USB cable to/from the USB TO HOST terminal.**
 - **Quit any open application software on the computer.**
 - **Make sure that data is not being transmitted from the instrument. (Data is transmitted only by playing notes on the keyboard or playing back a song.)**
- **While the computer is connected to the instrument, you should wait for six seconds or more between these operations: (1) when turning the power of the instrument off then on again, or (2) when alternately connecting/disconnecting the USB cable.**

If the computer of the instrument freezes, restart the application software or the computer OS, or turn the power to the instrument off then on again.

Yamaha Standard USB-MIDI driver

Normally, when connecting to the USB TO HOST terminal, a USB driver is not required. However, if data communication is unstable or some problem occurs, download and install the Yamaha Standard USB-MIDI driver, available at the following URL:

<https://download.yamaha.com/>

*After selecting your country and clicking on "Firmware/Software Updates" from the "Support" page, select the Product Category, and then enter "USB-MIDI" into the search box.

Select the USB-MIDI driver for the OS on your computer from the search results. Follow the Installation Guide in the package file to install the driver to the computer.

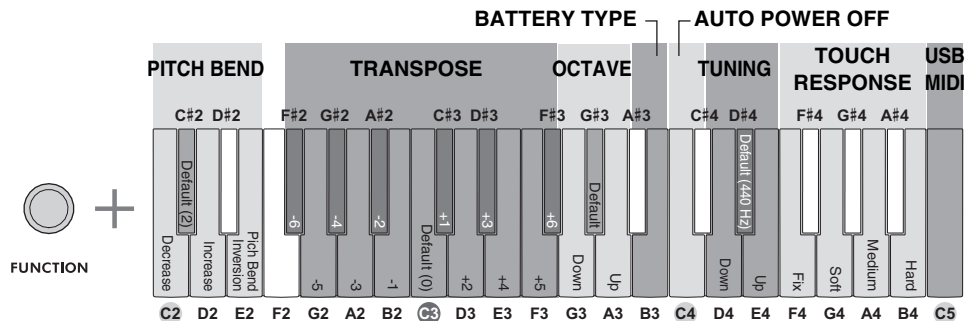
NOTE

- For Mac OS computers, you can use the standard driver available on the Mac OS; there is no need to install another driver.
- Depending on the computer OS used, the Yamaha Standard USB-MIDI driver may be incompatible with the instrument.

Customizing the Settings

1. While holding down the [FUNCTION] button, press one of the highlighted keys shown below to set a parameter.

The instrument beeps in high or low pitch to indicate the operation. High pitch indicates the setting has been changed or the function has been set to “on.” Low pitch indicates the function has been set to “off.” No sound indicates the setting has reached its limit and cannot be changed.



The label below each key in front of the instrument shows the function of the key when used with the [FUNCTION] button.

Functions	Settings	Keys
PITCH BEND RANGE For adding smooth pitch variations to notes you play on the keyboard. Value: 1 – 12 Default: 2	Decrease	C2
	Default (2)	C#2
	Increase	D2
	PITCH BEND INVERSION: Changes the pitching direction	E2
TRANSPOSE For transposing the pitch of the keyboard up or down in semitones. Value: -6 – +6 Default: 0 NOTE <ul style="list-style-type: none"> • Transpose cannot be changed when the Jam mode is on. • The Transpose setting cannot be applied when a drum kit is selected (page 36). 	-6	F#2
	-5	G2
	-4	G#2
	-3	A2
	-2	A#2
	-1	B2
	Default (0)	C3
	+1	C#3
	+2	D3
	+3	D#3
+4	E3	

Functions	Settings	Keys
TRANPOSE	+5	F3
	+6	F#3
OCTAVE For shifting the pitch of the keyboard up or down by one octave. Value: -2 – +2 Default: Depends on the Voice	Shift one octave below	G3
	Default	G#3
	Shift one octave above	A3
BATTERY TYPE Selects the type of batteries installed to this instrument. Low pitch beep indicates “dry cell,” high pitch indicates “rechargeable.” Settings: Dry cell (for alkaline, manganese batteries) / Rechargeable (for rechargeable Ni-MH batteries) Default: Dry cell		B3
AUTO POWER OFF Specifies the time that elapses before the instrument’s power is automatically turned off. Low pitch beep indicates “off,” high pitch indicates “on.” Settings: On (30 minutes), Off Default: On (30 minutes)		C4
TUNING You can fine-tune the pitch of the entire instrument in roughly 0.2 Hz steps. Value: 427.0 Hz to 453.0 Hz (-65 cents to 65 cents) Default: 440.0 Hz (00) NOTE Tuning does not affect the Drum Voices (page 36).	Down	D4
	Default (440.0 Hz)	D#4
	Up	E4
TOUCH RESPONSE Specifies the degree of touch sensitivity (how the sound responds to your playing strength). Default: Medium	Fix: Variation in key touches does not produce change in output notes.	F4
	Soft: Slight variation in key touches produces change in output notes.	G4
	Medium: Moderate variation in key touches produces change in output notes.	A4
	Hard: Large enough variation in key touches produces change in output notes.	B4
USB MIDI Switches MIDI transmission/reception on and off. Low pitch beep indicates “off,” high pitch indicates “on.” Default: Off (when equipped with Bluetooth functionality) On (when not equipped with Bluetooth functionality) NOTE <ul style="list-style-type: none"> MIDI data will be transmitted/received via Bluetooth when this is set to Off. Refer to page 9 to check whether or not your keyboard is equipped with Bluetooth functionality. 		C5

Backup and Initialization

The following data will automatically be maintained as backup data even if you turn off the power.

Backup Parameters

Function Settings (page 28):

- PITCH BEND INVERSION
- BATTERY TYPE
- AUTO POWER OFF
- TUNING
- TOUCH RESPONSE
- USB MIDI

Overall Volume

NOTICE

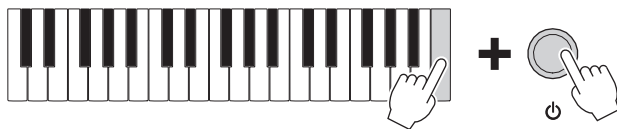
Backup is executed automatically when the power is turned off either manually or by the Auto Power Off. When the power is turned off in the following cases, backup is not executed.

- Disconnected USB cable
- Power failure
- Low or no battery power

Initialization

You can initialize the backup data.

1. Turn the power of the keyboard off.
2. While holding down the highest key, turn the power on to initialize the backup data to the factory initial settings.



Troubleshooting

Q. The overall volume is low, or no sound is heard.

- A.** Raise the master Volume with the VOLUME [+] button.
- A.** Check whether a set of headphones is connected to the [PHONES] jack, or not. When such a connection is made, no sound is output from the speaker of this instrument.

Q. When the instrument is turned on or off, a popping sound is temporarily produced.

- A.** This is normal and indicates that the instrument is receiving electrical power.

Q. The volume is too soft. The sound quality is poor.

- A.** The batteries are low or dead. Replace all four batteries with completely new ones or completely recharged ones, or use the USB cable.

Q. The instrument is automatically turned off even if no operation is done.

- A.** This is normal. This occurs due to the AUTO POWER OFF function (page 19). If you need to disable the function, select Off in the function settings.

Q. Noise is heard from the instrument's speaker or headphones when using the instrument with your smart device.

- A.** When you use the instrument along with the application on your smart device, we recommend that you set that device's "Airplane Mode" to "ON" and then the Bluetooth setting to "ON" on your smart device in order to avoid noise caused by communication.

Q. Not all of the Voices seem to sound.

- A.** You have exceeded 32 simultaneous notes, which is the maximum polyphony (the maximum number of notes that can be played simultaneously) of the instrument. If you exceed the maximum polyphony, some notes/sounds may be omitted (or "stolen").

Q. Sound input via the [AUX IN] jack isn't produced from the built-in speaker of the instrument, or it is too low.

- A.** To control the [AUX IN] volume, adjust the volume of the connected audio equipment.
- A.** Use audio cables and adaptor plugs that have no series resistors.

Q. Cannot connect with Bluetooth.

- A.** Check that the Bluetooth function of the smart device is activated.
- A.** Check if another smart device is connected to the instrument via Bluetooth. If this is the case, disable the Bluetooth function of the connected smart device, then try connecting to the desired smart device again.
- A.** Check that the smart device is compatible with the app "Chord Tracker" on the Yamaha website: <https://www.yamaha.com/kbdapps/>
- A.** Check that the function "USB MIDI" is set to On (page 29).
- A.** Depending on the country in which you purchased the product, the instrument may not have Bluetooth capability. Refer to page 9 to check if your keyboard is equipped with Bluetooth functionality.

Q. USB cable connection doesn't work.

- A.** Check that the function "USB MIDI" is set to On (page 29).

Specifications

Product Name		Digital Keyboard
Voices		AWM Stereo Sampling
	Polyphony (max.)	32
	Number of Voices	12
Functions		
	JAM	3 modes
	Overall Controls	Tuning, Pitch bend range, USB MIDI select, Transpose, Octave shift, Touch Response
	Bluetooth *This function may not be included depending on the country in which you purchased the instrument. Refer to page 9 for details.	Bluetooth version: 4.0 Supported profile: GATT Complies with Bluetooth Low Energy MIDI Specification Wireless output: class 2 Maximum communication distance: About 10 m Radio Frequency (Operation Frequency): 2,402-2,480 MHz Maximum output power (EIRP): 4dBm Type of modulation: GFSK modulation
Control Interface		
	Keyboard	37 HQ (High Quality) Mini keys
	Other Controllers	PITCH bend wheel, VIBRATO button, SUSTAIN button
Connectivity		[AUX IN] (3.5 mm, mini stereo phone jack), [PHONES] (3.5 mm, mini stereo phone jack), [5V DC/USB TO HOST]
Sound System		Amplifier: 0.7 W Speaker: 8 cm × 1
Power Supply		
	Power Supply (sold separately)	<ul style="list-style-type: none"> • USB AC adaptor: 5 V / 1 A • Self-powered USB hub: 5 V / 1 A • Four "AA" size alkaline (LR6), manganese (R6) or Ni-MH rechargeable (HR6) batteries
	Power Consumption	2.5 W (when using a USB AC adaptor)
	Auto Power Off	Yes
Size (W x D x H)/Weight		733 mm x 125 mm x 56 mm (28-7/8" x 4-15/16" x 2-3/16"), 1.2 kg (2 lb, 10 oz) (not including batteries)

Included Accessories	Strap, USB cable, Owner's Manual, Online Member Product Registration
Separately Sold Accessories (May not be available depending on your area.)	Keyboard Bag (SC-KB350), Headphones (HPH-150, HPH-100, HPH-50)

The contents of this manual apply to the latest specifications as of the publishing date. To obtain the latest manual, access the Yamaha website then download the manual file. Since specifications, equipment or separately sold accessories may not be the same in every locale, please check with your Yamaha dealer.

Index

A		
Accessories	10	
App	21, 24	
AUTO POWER OFF	29	
Auto Power Off	19	
B		
Backup	30	
Battery	16	
BATTERY TYPE	29	
Bluetooth	9	
Bluetooth connection	22	
C		
Chord Tracker	21	
D		
Drum Kit List	36	
I		
Initialization	30	
J		
Jam function	21, 24	
Jam mode	25	
M		
Maintenance	8	
MIDI	26	
MIDI Reference	10	
O		
OCTAVE	29	
P		
PITCH BEND RANGE	28	
Power	18	
Power requirement	16	
S		
Specifications	33	
Strap	15	
T		
TOUCH RESPONSE	29	
TRANSPOSE	28	
Troubleshooting	31	
TUNING	29	
U		
USB cable connection	23	
USB MIDI	29	
USB mobile battery	17	
USB power adaptor	17	
V		
Voice	20	
Voice list	20	

Drum Kit List

C2	C#2
D2	D#2
E2	
F2	F#2
G2	G#2
A2	A#2
B2	
C3	C#3
D3	D#3
E3	
F3	F#3
G3	G#3
A3	A#3
B3	
C4	C#4
D4	D#4
E4	
F4	F#4
G4	G#4
A4	A#4
B4	
C5	

Keyboard		Dance Kit
Note #	Note	
25	C# 0	Surdo Mute
26	D 0	Surdo Open
27	D# 0	Hi Q
28	E 0	Whip Slap
29	F 0	Scratch H
30	F# 0	Scratch L
31	G 0	Finger Snap
32	G# 0	Click Noise
33	A 0	Metronome Click
34	A# 0	Metronome Bell
35	B 0	Seq Click L
36	C 1	Seq Click H
37	C# 1	Brush Tap
38	D 1	Brush Swirl
39	D# 1	Brush Slap
40	E 1	Reverse Cymbal
41	F 1	Snare Roll
42	F# 1	Hi Q 2
43	G 1	Snare Techno
44	G# 1	Sticks
45	A 1	Kick Techno Q
46	A# 1	Rim Gate
47	B 1	Kick Techno L
48	C 2	Kick Techno
49	C# 2	Side Stick Analog
50	D 2	Snare Clap
51	D# 2	Hand Clap
52	E 2	Snare Dry
53	F 2	Tom Analog 1
54	F# 2	Hi-Hat Close Analog 1
55	G 2	Tom Analog 2
56	G# 2	Hi-Hat Close Analog 2
57	A 2	Tom Analog 3
58	A# 2	Hi-Hat Open Analog
59	B 2	Tom Analog 4
60	C 3	Tom Analog 5
61	C# 3	Cymbal Analog
62	D 3	Tom Analog 6
63	D# 3	Ride Cymbal 1
64	E 3	Chinese Cymbal
65	F 3	Ride Cymbal Cup
66	F# 3	Tambourine
67	G 3	Splash Cymbal
68	G# 3	Cowbell Analog
69	A 3	Crash Cymbal 2
70	A# 3	Vibraslap
71	B 3	Ride Cymbal 2
72	C 4	Bongo H
73	C# 4	Bongo L
74	D 4	Conga Analog H
75	D# 4	Conga Analog M
76	E 4	Conga Analog L
77	F 4	Timbale H
78	F# 4	Timbale L
79	G 4	Agogo H
80	G# 4	Agogo L
81	A 4	Cabasa
82	A# 4	Maracas 2
83	B 4	Samba Whistle H
84	C 5	Samba Whistle L

Keyboard		Dance Kit
Note #	Note	
85	C# 5	Guiro Short
86	D 5	Guiro Long
87	D# 5	Claves 2
88	E 5	Wood Block H
89	F 5	Wood Block L
90	F# 5	Scratch H
91	G 5	Scratch L
92	G# 5	Triangle Mute
93	A 5	Triangle Open
94	A# 5	Shaker
95	B 5	Jingle Bells
96	C 6	Bell Tree

The MIDI Note # and Note are actually one octave lower than the keyboard Note # and Note.

Les paramètres MIDI Note # (Numéro de note MIDI) et Note se situent en réalité à une octave inférieure à leurs équivalents Note # (Numéro de note) et Note sur le clavier.

El número de nota y la nota MIDI son en realidad una octava menos que el número de nota y la nota en el teclado.

For CANADA

This device complies with Industry Canada's licence-exempt RSSs. Operation is subject to the following two conditions:

- (1) This device may not cause interference; and
- (2) This device must accept any interference, including interference that may cause undesired operation of the device.

Le présent appareil est conforme aux CNR d'Industrie Canada applicables aux appareils radio exempts de licence. L'exploitation est autorisée aux deux conditions suivantes :

- 1) l'appareil ne doit pas produire de brouillage;
- 2) l'utilisateur de l'appareil doit accepter tout brouillage radioélectrique subi, même si le brouillage est susceptible d'en compromettre le fonctionnement.

This equipment complies with IC radiation exposure limits set forth for an uncontrolled environment and meets RSS-102 of the IC radio frequency (RF) Exposure rules. This equipment has very low levels of RF energy that is deemed to comply without testing of specific absorption rate (SAR).

Cet équipement est conforme aux limites d'exposition aux rayonnements énoncées pour un environnement non contrôlé et respecte les règles d'exposition aux fréquences radioélectriques (RF) CNR-102 de l'IC. Cet équipement émet une énergie RF très faible qui est considérée comme conforme sans évaluation du débit d'absorption spécifique (DAS).

For U.S.A.

This equipment complies with FCC radiation exposure limits set forth for an uncontrolled environment and meets the FCC radio frequency (RF) Exposure Guidelines. This equipment has very low levels of RF energy that is deemed to comply without testing of specific absorption rate (SAR).

This transmitter must not be co-located or operated in conjunction with any other antenna or transmitter.

For EU countries

BG Bulgarian

ОПРОСТЕНА ЕС ДЕКЛАРАЦИЯ ЗА СЪОТВЕТСТВИЕ

С настоящото Yamaha Music Europe GmbH декларира, че този тип радиосъоръжение [SHS-300] е в съответствие с Директива 2014/53/ЕС. Цялостният текст на ЕС декларацията за съответствие може да се намери на следния интернет адрес:
<https://europe.yamaha.com/en/support/compliance/doc.html>

ES Spanish

DECLARACION UE DE CONFORMIDAD SIMPLIFICADA

Por la presente, Yamaha Music Europe GmbH declara que el tipo de equipo radioeléctrico [SHS-300] es conforme con la Directiva 2014/53/UE. El texto completo de la declaración UE de conformidad está disponible en la dirección Internet siguiente:
<https://europe.yamaha.com/en/support/compliance/doc.html>

CS Czech

ZJEDNODUŠENÉ EU PROHLÁŠENÍ O SHODĚ

Tímto Yamaha Music Europe GmbH prohlašuje, že typ rádiového zařízení [SHS-300] je v souladu se směrnici 2014/53/EU. Úplné znění EU prohlášení o shodě je k dispozici na této internetové adrese:
<https://europe.yamaha.com/en/support/compliance/doc.html>

DA Danish

FORENKLET EU-OVERENSSTEMMELSESERKLÆRING

Herved erklærer Yamaha Music Europe GmbH, at radioudstyrstypen [SHS-300] er i overensstemmelse med direktiv 2014/53/EU. EU-overensstemmelseserklæringens fulde tekst kan findes på følgende internetadresse:
<https://europe.yamaha.com/en/support/compliance/doc.html>

DE German

VEREINFACHTE EU-KONFORMITÄTSERKLÄRUNG

Hiermit erkläre Yamaha Music Europe GmbH, dass der Funkanlagentyp [SHS-300] der Richtlinie 2014/53/EU entspricht. Der vollständige Text der EU-Konformitätserklärung ist unter der folgenden Internetadresse verfügbar:
<https://europe.yamaha.com/en/support/compliance/doc.html>

ET Estonian

LIHTSUSTATUD EI VASTAVUSDEKLARATSIOON

Käesolevaga deklareerib Yamaha Music Europe GmbH, et käesolev raadioseadme tüüp [SHS-300] vastab direktiivi 2014/53/EL nõuetele. ELi vastavusdeklaratsiooni täielik tekst on kättesaadav järgmisel internetiaadressil:
<https://europe.yamaha.com/en/support/compliance/doc.html>

EL Greek

ΑΠΛΟΥΣΤΕΥΜΕΝΗ ΔΗΛΩΣΗ ΣΥΜΜΟΡΦΩΣΗΣ ΕΕ

Με την παρούσα ο/η Yamaha Music Europe GmbH, δηλώνει ότι ο ραδιοεξοπλισμός [SHS-300] πληροί την οδηγία 2014/53/ΕΕ. Το πλήρες κείμενο της δήλωσης συμμόρφωσης ΕΕ διατίθεται στην ακόλουθη ιστοσελίδα στο διαδίκτυο:
<https://europe.yamaha.com/en/support/compliance/doc.html>

EN English

SIMPLIFIED EU DECLARATION OF CONFORMITY

Hereby, Yamaha Music Europe GmbH declares that the radio equipment type [SHS-300] is in compliance with Directive 2014/53/EU. The full text of the EU declaration of conformity is available at the following internet address:
<https://europe.yamaha.com/en/support/compliance/doc.html>

FR French

DECLARATION UE DE CONFORMITE SIMPLIFIEE

Le soussigné, Yamaha Music Europe GmbH, déclare que l'équipement radioélectrique du type [SHS-300] est conforme à la directive 2014/53/UE. Le texte complet de la déclaration UE de conformité est disponible à l'adresse Internet suivante:
<https://europe.yamaha.com/en/support/compliance/doc.html>

HR Croatian

POJEDNOSTAVLJENA EU IZJAVA O SUKLADNOSTI

Yamaha Music Europe GmbH ovime izjavljuje da je radijska oprema tipa [SHS-300] u skladu s Direktivom 2014/53/EU. Cjeloviti tekst EU izjave o sukladnosti dostupan je na sljedećoj internetskoj adresi:
<https://europe.yamaha.com/en/support/compliance/doc.html>

IT Italian

DICHIARAZIONE DI CONFORMITÀ UE SEMPLIFICATA

Il fabbricante, Yamaha Music Europe GmbH, dichiara che il tipo di apparecchiatura radio [SHS-300] è conforme alla direttiva 2014/53/UE. Il testo completo della dichiarazione di conformità UE è disponibile al seguente indirizzo Internet:
<https://europe.yamaha.com/en/support/compliance/doc.html>

LV Latvian

VIENTKĀRŠOTA ES ATBILSTĪBAS DEKLARĀCIJA

Ar šo Yamaha Music Europe GmbH deklarē, ka radioiekārtā [SHS-300] atbilst Direktīvai 2014/53/ES. Pilns ES atbilstības deklarācijas teksts ir pieejams šādā interneta vietnē:
<https://europe.yamaha.com/en/support/compliance/doc.html>

LT Lithuanian

SUPAPRASTINTA ES ATITIKTIES DEKLARACIJA

Aš, Yamaha Music Europe GmbH, patvirtinu, kad radijo įrenginių tipas [SHS-300] atitinka Direktyvą 2014/53/ES. Visas ES atitikties deklaracijos tekstas prieinamas šiuo interneto adresu:
<https://europe.yamaha.com/en/support/compliance/doc.html>

HU Hungarian

EGYSZERŰSÍTETT EU-MEGFELELŐSÉGI NYILATKOZAT

Yamaha Music Europe GmbH igazolja, hogy a [SHS-300] típusú rádióberendezés megfelel a 2014/53/EU irányelvnek. Az EU-megfelelőségi nyilatkozat teljes szövege elérhető a következő internetes címen:
<https://europe.yamaha.com/en/support/compliance/doc.html>

NL Dutch

VEREENVOUDIGDE EU-CONFORMITEITSVERKLARING

Hierbij verklaar ik, Yamaha Music Europe GmbH, dat het type radioapparatuur [SHS-300] conform is met Richtlijn 2014/53/EU. De volledige tekst van de EU-conformiteitsverklaring kan worden geraadpleegd op het volgende internetadres:
<https://europe.yamaha.com/en/support/compliance/doc.html>

PL Polish

UPROSZCZONA DEKLARACJA ZGODNOŚCI UE

Yamaha Music Europe GmbH niniejszym oświadcza, że typ urządzenia radiowego [SHS-300] jest zgodny z dyrektywą 2014/53/UE. Pełny tekst deklaracji zgodności UE jest dostępny pod następującym adresem internetowym:
<https://europe.yamaha.com/en/support/compliance/doc.html>

PT Portuguese

DECLARAÇÃO UE DE CONFORMIDADE SIMPLIFICADA

O(a) abaixo assinado(a) Yamaha Music Europe GmbH declara que o presente tipo de equipamento de rádio [SHS-300] está em conformidade com a Diretiva 2014/53/UE. O texto integral da declaração de conformidade está disponível no seguinte endereço de Internet:
<https://europe.yamaha.com/en/support/compliance/doc.html>

RO Romanian

DECLARAȚIE UE DE CONFORMITATE SIMPLIFICATĂ

Prin prezenta, Yamaha Music Europe GmbH declară că tipul de echipament radio [SHS-300] este în conformitate cu Directiva 2014/53/UE. Textul integral al declarației UE de conformitate este disponibil la următoarea adresă internet:
<https://europe.yamaha.com/en/support/compliance/doc.html>

SK Slovak

ZJEDNODUŠENÉ EÚ VYHLÁSENIE O ZHODE

Yamaha Music Europe GmbH týmto vyhlasuje, že rádiové zariadenie typu [SHS-300] je v súlade so smernicou 2014/53/EÚ. Úplné EÚ vyhlásenie o zhode je k dispozícii na tejto internetovej adrese:
<https://europe.yamaha.com/en/support/compliance/doc.html>

SL Slovenian

POENOSTAVLJENA IZJAVA EU O SKLADNOSTI

Yamaha Music Europe GmbH potrjuje, da je tip radijske opreme [SHS-300] skladen z Direktivo 2014/53/EU. Celotno besedilo izjave EU o skladnosti je na voljo na naslednjem spletnem naslovu:
<https://europe.yamaha.com/en/support/compliance/doc.html>

FI Finnish

YKSINKERTAISTETTU EU-VAATIMUSTENMAKUISUUSVAKUUTUS

Yamaha Music Europe GmbH vakuuttaa, että radiolaitteityypin [SHS-300] on direktiivin 2014/53/EU mukainen. EU-vaatimustenmukaisuusvakuutuksen täysimittainen teksti on saatavilla seuraavassa internetosoitteessa:
<https://europe.yamaha.com/en/support/compliance/doc.html>

SV Swedish

FÖRENKLAD EU-FÖRSÄKRAN OM ÖVERENSSTÄMMELSE

Härmed försäkrar Yamaha Music Europe GmbH att denna typ av radioutrustning [SHS-300] överensstämmer med direktiv 2014/53/EU. Den fullständiga texten till EU-försäkran om överensstämmelse finns på följande webbadress:
<https://europe.yamaha.com/en/support/compliance/doc.html>

TR Turkey

BASİTLEŞTİRİLMİŞ AVRUPA BİRLİĞİ UYGUNLUK BİLDİRİMİ

İşbu belge ile, Yamaha Music Europe GmbH, radyo cihaz tipinin [SHS-300], Direktif 2014/53/AB'ye uygunluğunu beyan eder. AB uyumu beyanının tam metni aşağıdaki internet adresinden edinilebilir:
<https://europe.yamaha.com/en/support/compliance/doc.html>

Important Notice: Guarantee Information for customers in European Economic Area (EEA) and Switzerland

<p>Important Notice: Guarantee Information for customers in EEA* and Switzerland</p> <p>For detailed guarantee information about this Yamaha product, and Pan-EWR* and Switzerland warranty service, please either visit the website address below (Printable file is available at our website) or contact the Yamaha representative office for your country. * EEA: European Economic Area</p>	English
<p>Wichtiger Hinweis: Garantie-Information für Kunden in der EWR* und der Schweiz</p> <p>Für nähere Garantie-Information über dieses Produkt von Yamaha, sowie über den Pan-EWR*- und Schweizer Garantieservice, besuchen Sie bitte entweder die folgend angegebene Internetadresse (eine druckfähige Version befindet sich auch auf unserer Webseite), oder wenden Sie sich an den für Ihr Land zuständigen Yamaha-Vertrieb. * EWR: Europäischer Wirtschaftsraum</p>	Deutsch
<p>Remarque importante: informations de garantie pour les clients de l'EEE et la Suisse</p> <p>Pour des informations plus détaillées sur la garantie de ce produit Yamaha et sur la lecture de garantie applicable dans l'ensemble de l'EEE ainsi qu'en Suisse, consultez notre site Web à l'adresse ci-dessous (le fichier imprimable est disponible sur notre site Web) ou contactez directement Yamaha dans votre pays de résidence. * EEE : Espace Economique Européen</p>	Français
<p>Belangrijke mededeling: Garantie-informatie voor klanten in de EER* en Zwitserland</p> <p>Voor gedetailleerde garantie-informatie over dit Yamaha-product en de garantieservice in heel de EER* en Zwitserland, gaat u naar de onderstaande website (u vindt een afdrukbaar bestand op onze website) of neemt u contact op met de vertegenwoordiging van Yamaha in uw land. * EER: Europese Economische Ruimte</p>	Nederlands
<p>Aviso importante: información sobre la garantía para los clientes del EEE* y Suiza</p> <p>Para una información detallada sobre este producto Yamaha y sobre el soporte de garantía en la zona EEE* y Suiza, visite la dirección web que se incluye más abajo (la versión del archivo para imprimir está disponible en nuestro sitio web) o póngase en contacto con el representante de Yamaha en su país. * EEE: Espacio Económico Europeo</p>	Español
<p>Avviso importante: informazioni sulla garanzia per i clienti residenti nell'EEA* e in Svizzera</p> <p>Per informazioni dettagliate sulla garanzia relativa a questo prodotto Yamaha e l'assistenza in garanzia nei paesi EEA* e in Svizzera, potete consultare il sito Web all'indirizzo riportato di seguito (è disponibile il file in formato stampabile) oppure contattare l'ufficio di rappresentanza locale della Yamaha. * EEA: Area Economica Europea</p>	Italiano
<p>Aviso importante: informações sobre as garantias para clientes da AEE* e da Suíça</p> <p>Para obter uma informação pormenorizada sobre este produto da Yamaha e sobre o serviço de garantia na AEE* e na Suíça, visite o site a seguir (o arquivo para impressão está disponível no nosso site) ou entre em contato com o escritório de representação da Yamaha no seu país. * AEE: Área Económica Europeia</p>	Português
<p>Σημαντικό σημείωση: Πληροφορίες εγγύησης για τους πελάτες στην EOX* και Ελλάδα</p> <p>Για λεπτομερείς πληροφορίες εγγύησης σχετικά με το προϊόν προϊόν της Yamaha και την κάλυψη εγγύησης σε όλες τις χώρες του EOX και την Ελλάδα, επισκεφτείτε την παρακάτω ιστοσελίδα (Εκτυπωτήσιμο αρχείο είναι διαθέσιμο στην ιστοσελίδα μας) ή απευθυνθείτε στην αντιπροσωπεία της Yamaha στη χώρα σας. * EOX: Ευρωπαϊκός Οικονομικός Χώρος</p>	Ελληνικά
<p>Viktigt: Garantiinformation för kunder i EES-området* och Schweiz</p> <p>För detaljerad information om denna Yamaha-produkt samt garantiservice i hela EES-området* och Schweiz kan du antingen besöka nedanstående webbadress (en utskriftsvänlig fil finns på webbplatsen) eller kontakta Yamahas officiella representant i ditt land. * EES: Europeiska Ekonomiska Samarbetsområdet</p>	Svenska
<p>Viktig merknad: Garantiinformasjon for kunder i EØS* og Sveits</p> <p>Detaljert garantiinformasjon om dette Yamaha-produktet og garantiservice for hele EØS-området* og Sveits kan fås enten ved å besøke nettstedene nedenfor (utskriftsversjon finnes på våre nettsider) eller kontakte Yamahas kontorene i landet der du bor. * EØS: Det europeiske økonomiske samarbeidsområdet</p>	Norsk
<p>Vigtig oplysning: Garantioplysninger til kunder i EØO* og Schweiz</p> <p>De kan finde detaljerede garantioplysninger om dette Yamaha-produkt og den fælles garantiserviceordning for EØO* (og Schweiz) ved at besøge det websted, der er angivet nedenfor (der findes en fil, som kan udskrives, på vores websted), eller ved at kontakte Yamahas nationale repræsentationskontor i det land, hvor De bor. * EØO: Det Europæiske Økonomiske Område</p>	Dansk
<p>Tärkeä ilmoitus: Takuitiedot Euroopan talousalueen (ETA)* ja Sveitsin asiakkaille</p> <p>Tämän Yamaha-tuotteen sekä ETA-alueen ja Sveitsin takuuta koskevat yksityiskohtaiset tiedot saatte alla olevasta nettiosoitteesta. (Tulostettava tiedosto saatavissa sivustollamme.) Voitte myös ottaa yhteyttä paikalliseen Yamaha-edustajaan. * ETA: Euroopan talousalue</p>	Suomi
<p>Ważne: Warunki gwarancyjne obowiązujące w EOG* i Szwajcarii</p> <p>Aby dowiedzieć się więcej na temat warunków gwarancyjnych tego produktu firmy Yamaha i serwisu gwarancyjnego w całym EOG* i Szwajcarii, należy odwiedzić wskazaną poniżej stronę internetową (Plik gotowy do wydruku znajduje się na naszej stronie internetowej) lub skontaktować się z przedstawicielstwem firmy Yamaha w swoim kraju. * EOG — Europejski Obszar Gospodarczy</p>	Polski
<p>Dôležité oznámenie: Zaruční informace pro zákazníky v EHS* a ve Švýcarsku</p> <p>Podrobné zaruční informace o tomto produktu Yamaha a zaručinném servisu v celém EHS* a ve Švýcarsku naleznete na níže uvedené webové adrese (soubor k tisku je dostupný na našich webových stránkách) nebo se můžete obrátit na zastoupení firmy Yamaha ve své zemi. * EHS: Evropský hospodářský prostor</p>	Česky
<p>Fontos figyelmeztetés: Garancia-információk az EGT* területén és Svájcban élő vásárlók számára</p> <p>A jelen Yamaha termék vonatkozó részletes garancia-információit, valamint az EGT*-re és Svájcra kiterjedő garanciális szolgáltatás tekintetében keressse fel webhelyünket az alábbi címen (a webhelyen nyomatható fájl is található), vagy pedig lépjen kapcsolatba az országában működő Yamaha képviseleti irodával. * EGT: Európai Gazdasági Térség</p>	Magyar
<p>Ojutline märkus: Garantiteave Euroopa Majanduspiirkonna (EMP)* ja Šveitsi klientidele</p> <p>Täpsemat teabe saamiseks selle Yamaha toote garantii ning kogu Euroopa Majanduspiirkonna ja Šveitsi garantiiteeninduse kohta, külastage palun veebisaiti alljärgneval aadressil (meie saitil on saadaval printitav fail) või pöörduge Teie regiooni Yamaha esinduse poole. * EMP: Euroopa Majanduspiirkond</p>	Eesti keel
<p>Svarīgās paziņojums: garantijas informācija klientiem EEZ* un Šveicē</p> <p>Lai saņemtu detaļāzītu garantijas informāciju par šo Yamaha produktu, kā arī garantijas apkalpošanu EEZ* un Šveicē, lūdzam apmeklējiet zemāk norādīto tīmekļa vietnes adresi (tīmekļa vietnē ir pieejams drukājams fails) vai sazinieties ar jūsu valsti apkalpojuma Yamaha pārstāvēniecību. * EEZ: Eiropas Ekonomikas zona</p>	Latviešu
<p>Dėmesio: informacija dėl garantijos pirkėjams EEE* ir Šveicarijose</p> <p>Jei reikia išsamioms informacijos apie šį „Yamaha“ produktą ir jo techninę priežiūrą visoje EEE* ir Šveicarijose, apsilankykite mūsų svetainėje adresu (svetainėje yra spausdinamas failas) arba kreipkitės [„Yamaha“ atstovybė savo šalyje. * EEE — Europos ekonominė erdvė</p>	Lietuvių kalba
<p>Dôležité upozornenie: Informácie o záruke pre zákazníkov v EHP* a Švajčiarsku</p> <p>Podrobné informácie o záruke týkajúce sa tohto produktu od spoločnosti Yamaha a garančnom servise v EHP* a Švajčiarsku nájdete na webovej stránke uvedenej nižšie (na našej webovej stránke je k dispozícii súbor na tlač) alebo sa obráťte na zástupcu spoločnosti Yamaha vo svojej krajine. * EHP: Európsky hospodársky priestor</p>	Slovenčina
<p>Pomembno obvestilo: Informacije o garanciji za kupce v EGP* in Švici</p> <p>Podrobnejše informacije o tem Yamahinim izdelku ter garancijskem servisu v celotnem EGP in Švici, obiščite spletno mesto, ki je navedeno spodaj (naložljiva datoteka je na voljo na našem spletnem mestu), ali se obrnite na Yamahinega predstavnika v svoji državi. * EGP: Evropski gospodarski prostor</p>	Slovensčina
<p>Важно съобщение: Информация за гаранцията за клиенти в ЕИП* и Швейцария</p> <p>За подробна информация за гаранцията за този продукт на Yamaha и гаранционното обслужване в паневропейската зона на ЕИП* и Швейцария или посетете посочения по-долу уеб сайт (на нашия уеб сайт има файл за печат), или се свържете с представителния офис на Yamaha във вашата страна. * ЕИП: Европейско икономическо пространство</p>	Български език
<p>Notificare importantă: Informații despre garanție pentru clienții din SEE* și Elveția</p> <p>Pentru informații detaliate privind acest produs Yamaha și serviciul de garanție Pan-SEE* și Elveția, vizitați site-ul la adresa de mai jos (fișierul imprimabil este disponibil pe site-ul nostru) sau contactați biroul reprezentanței Yamaha din țara dumneavoastră. * SEE: Spațiul Economic European</p>	Limba română
<p>Važna obavijest: Informacije o jamstvu za države EGP-a i Švicarske</p> <p> Za detaljne informacije o jamstvu za ovaj Yamahin proizvod te jamstvenom servisu za cijeli EGP i Švicarsku, molimo Vas da posjetite web-stranicu navedenu u nastavku ili kontaktirate ovlaštenog Yamahinog dobavljača u svojoj zemlji. * EGP: Europski gospodarski prostor</p>	Hrvatski

<https://europe.yamaha.com/warranty/>

URL_5



LIMITED 1-YEAR WARRANTY ON PORTABLE KEYBOARDS (NP, PSRE, PSREW, PSRF, PSRI, PSS, SHS, EZ, DGX230, DGX530, YPG AND YPT SERIES)

Thank you for selecting a Yamaha product. Yamaha products are designed and manufactured to provide a high level of defect-free performance. Yamaha Corporation of America ("Yamaha") is proud of the experience and craftsmanship that goes into each and every Yamaha product. Yamaha sells its products through a network of reputable, specially authorized dealers and is pleased to offer you, the Original Owner, the following Limited Warranty, which applies only to products that have been (1) directly purchased from Yamaha's authorized dealers in the fifty states of the USA and District of Columbia (the "Warranted Area") and (2) used exclusively in the Warranted Area. Yamaha suggests that you read the Limited Warranty thoroughly and invites you to contact your authorized Yamaha dealer or Yamaha Customer Service if you have any questions.

Coverage: Yamaha will, at its option, repair or replace the product covered by this warranty if it becomes defective, malfunctions or otherwise fails to conform with this warranty under normal use and service during the term of this warranty, without charge for labor or materials. Repairs may be performed using new or refurbished parts that meet or exceed Yamaha specifications for new parts. If Yamaha elects to replace the product, the replacement may be a reconditioned unit. You will be responsible for any installation or removal charges and for any initial shipping charges if the product(s) must be shipped for warranty service. However, Yamaha will pay the return shipping charges to any destination within the USA if the repairs are covered by the warranty. This warranty does not cover (a) damage, deterioration or malfunction resulting from accident, negligence, misuse, abuse, improper installation or operation or failure to follow instructions according to the Owner's Manual for this product; any shipment of the product (claims must be presented to the carrier); repair or attempted repair by anyone other than Yamaha or an authorized Yamaha Service Center; (b) any unit which has been altered or on which the serial number has been defaced, modified or removed; (c) normal wear and any periodic maintenance; (d) deterioration due to perspiration, corrosive atmosphere or other external causes such as extremes in temperature or humidity; (e) damages attributable to power line surge or related electrical abnormalities, lightning damage or acts of God; or (f) RFI/EMI (Interference/noise) caused by improper grounding or the improper use of either certified or uncertified equipment, if applicable. Any evidence of alteration, erasing or forgery of proof-of-purchase documents will cause this warranty to be void. This warranty covers only the Original Owner and is not transferable.

In Order to Obtain Warranty Service: Warranty service will only be provided for defective products within the Warranted Area. Contact your local authorized Yamaha dealer who will advise you of the procedures to be followed. If this is not successful, contact Yamaha at the address, telephone number or website shown below. Yamaha may request that you send the defective product to a local authorized Yamaha Servicer or authorize return of the defective product to Yamaha for repair. If you are uncertain as to whether a dealer has been authorized by Yamaha, please contact Yamaha's Service Department at the number shown below, or check Yamaha's website at www.yamaha.com. Product(s) shipped for service should be packed securely and must be accompanied by a detailed explanation of the problem(s) requiring service, together with the original or a machine reproduction of the bill of sale or other dated, proof-of-purchase document describing the product, as evidence of warranty coverage. Should any product submitted for warranty service be found ineligible therefore, an estimate of repair cost will be furnished and the repair will be accomplished only if requested by you and upon receipt of payment or acceptable arrangement for payment.

Limitation of Implied Warranties and Exclusion of Damages: ANY IMPLIED WARRANTIES, INCLUDING WARRANTIES OF MERCHANTABILITY AND FITNESS FOR A PARTICULAR PURPOSE SHALL BE LIMITED IN DURATION TO THE APPLICABLE PERIOD OF TIME SET FORTH ABOVE. YAMAHA SHALL NOT BE RESPONSIBLE FOR INCIDENTAL OR CONSEQUENTIAL DAMAGES OR FOR DAMAGES BASED UPON INCONVENIENCE, LOSS OF USE, DAMAGE TO ANY OTHER EQUIPMENT OR OTHER ITEMS AT THE SITE OF USE OR INTERRUPTION OF PERFORMANCES OR ANY CONSEQUENCES. YAMAHA'S LIABILITY FOR ANY DEFECTIVE PRODUCT IS LIMITED TO REPAIR OR REPLACEMENT OF THE PRODUCT, AT YAMAHA'S OPTION. SOME STATES DO NOT ALLOW LIMITATIONS ON HOW LONG AN IMPLIED WARRANTY LASTS OR THE EXCLUSION OR LIMITATION OF INCIDENTAL OR CONSEQUENTIAL DAMAGES, SO THE ABOVE LIMITATION OR EXCLUSION MAY NOT APPLY TO YOU. This Warranty gives you specific legal rights, and you may also have other rights which vary from state to state. This is the only express warranty applicable to the product specified herein; Yamaha neither assumes nor authorizes anyone to assume for it any other express warranty.

If you have any questions about service received or if you need assistance in locating an authorized Yamaha Servicer, please contact:



CUSTOMER SERVICE
Yamaha Corporation of America
6600 Orangethorpe Avenue, Buena Park, California 90620-1373
Telephone: 800-854-1569
www.yamaha.com

Do not return any product to the above address without a written Return Authorization issued by YAMAHA.

© 2019 Yamaha Corporation of America.

For details of products, please contact your nearest Yamaha representative or the authorized distributor listed below.

Para detalles sobre productos, contacte su tienda Yamaha más cercana o el distribuidor autorizado que se lista debajo.

Pour plus de détails sur les produits, veuillez-vous adresser à Yamaha ou au distributeur le plus proche de vous figurant dans la liste suivante.

NORTH AMERICA

CANADA

Yamaha Canada Music Ltd.
135 Milner Avenue, Toronto, Ontario M1S 3R1,
Canada
Tel: +1-416-298-1311

U.S.A.

Yamaha Corporation of America
6600 Orangefhorpe Avenue, Buena Park, CA 90620,
U.S.A.
Tel: +1-714-522-9011

CENTRAL & SOUTH AMERICA

MEXICO

Yamaha de México, S.A. de C.V.
Av. Insurgentes Sur 1647 Piso 9, Col. San José
Insurgentes, Delegación Benito Juárez, CDMX,
C.P. 03900, México
Tel: +52-55-5804-0600

BRAZIL

Yamaha Musical do Brasil Ltda.
Praça Professor José Lannes, 40, Cjs 21 e 22, Brooklin
Paulista Novo CEP 04571-100 - São Paulo - SP,
Brazil
Tel: +55-11-3704-1377

ARGENTINA

**Yamaha Music Latin America, S.A.,
Sucursal Argentina**
Olga Cossetini 1553, Piso 4 Norte,
Madero Este-C1107CEK,
Buenos Aires, Argentina
Tel: +54-11-4119-7000

PANAMA AND OTHER LATIN AMERICAN REGIONS/ CARIBBEAN REGIONS

Yamaha Music Latin America, S.A.
Edificio Torro Daviviana, Piso: 20
Avenida Balboa, Marbella, Corregimiento de Bella
Vista, Ciudad de Panamá, Rep. de Panamá
Tel: +52-65-259-5311

EUROPE

THE UNITED KINGDOM/IRELAND

Yamaha Music Europe GmbH (UK)
Sherbourne Drive, Tilbrook, Milton Keynes,
MK7 8BL, U.K.
Tel: +44-1908-366700

GERMANY

Yamaha Music Europe GmbH
Siemensstrasse 22-34, 25462 Rellingen, Germany
Tel: +49-4101-303-0

SWITZERLAND/LIECHTENSTEIN

**Yamaha Music Europe GmbH, Branch
Switzerland in Thalwil**
Seestrasse 18a, 8800 Thalwil, Switzerland
Tel: +41-44-3878080

AUSTRIA/CROATIA/CZECH REPUBLIC/ HUNGARY/ROMANIA/SLOVAKIA/ SLOVENIA

Yamaha Music Europe GmbH, Branch Austria
Schleiergasse 20, 1100 Wien, Austria
Tel: +43-1-60203900

POLAND

**Yamaha Music Europe
Spz z o.o. Oddział w Polsce**
ul. Wielicka 52, 02-657 Warszawa, Poland
Tel: +48-22-880-08-88

BULGARIA

Dinacord Bulgaria LTD.
Bul. Iskarsko Schose 7 Targovskii Zentar Evropa
1528 Sofia, Bulgaria
Tel: +359-2-978-20-25

MALTA

Olimpus Music Ltd.
Valletta Road, Mosta MST9010, Malta
Tel: +356-2133-2093

NETHERLANDS/BELGIUM/ LUXEMBOURG

Yamaha Music Europe, Branch Benelux
Clarissenhof 5b, 4133 AB Vianen, The Netherlands
Tel: +31-347-358040

FRANCE

Yamaha Music Europe
7 rue Ambroise Croizat, Zone d'activités de Pariest,
77183 Croissy-Beaubourg, France
Tel: +33-1-6461-4000

ITALY

Yamaha Music Europe GmbH, Branch Italy
Via Tinelli N.67/69 20855 Gerno di Lesmo (MB),
Italy
Tel: +39-039-9065-1

SPAIN/PORTUGAL

**Yamaha Music Europe GmbH Ibérica, Sucursal
en España**
Ctra. de la Coruña km. 17,200, 28231
Las Rozas de Madrid, Spain
Tel: +34-91-639-88-88

GREECE

Philippos Nakas S.A. The Music House
19th km. Leof. Lavriou 190 02 Peania - Attiki,
Greece
Tel: +30-210-6686260

SWEDEN

**Yamaha Music Europe GmbH Germany filial
Scandinavia**
JA Wettergrensgata 1, 400 43 Göteborg, Sweden
Tel: +46-31-89-34-00

DENMARK

**Yamaha Music Denmark,
Fillial of Yamaha Music Europe GmbH, Tyskland**
Generatorvej 8C, ST. TH., 2860 Soborg, Denmark
Tel: +45-44-92-49-00

FINLAND

F-Musiikki Oy
Antaksentie 4
FI-01510 Vantaa, Finland
Tel: +358 (0)96185111

NORWAY

**Yamaha Music Europe GmbH Germany -
Norge/Jan Branch**
Grini Vetteringspark 1, 1332 Osterås, Norway
Tel: +47-6716-7800

ICELAND

Hljóðfærabúsdh. Ehf.
Sidumula 20
IS-108 Reykjavik, Iceland
Tel: +354-525-5050

CYPRUS

Nakas Music Cyprus Ltd.
Nikis Ave 2k
1086 Nicosia
Tel: +357-22-511080
Major Music Center
21 Ali Rizza Ave. Ortakoy
P.O. Box 475 Lefkosa, Cyprus
Tel: (392) 227 9213

RUSSIA

Yamaha Music (Russia) LLC.
Room 37, entrance 7, bld. 7, Kievskaya street,
Moscow, 121059, Russia
Tel: +7-495-626-5005

OTHER EUROPEAN REGIONS

Yamaha Music Europe GmbH
Siemensstrasse 22-34, 25462 Rellingen, Germany
Tel: +49-4101-303-0

AFRICA

Yamaha Music Gulf FZE
JAFZA-16, Office 512, P.O.Box 17328,
Jebel Ali FZE, Dubai, UAE
Tel: +971-4-801-1500

MIDDLE EAST

TURKEY

Yamaha Music Europe GmbH
Merkez Almany Türkiye Istanbul Şubesi
Mor Sumbul Sokak Varyap Meridian Business
1.Blok No:1113-1114-115
Bati Atasehir Istanbul, Turkey
Tel: +90-216-275-7960

ISRAEL

RBX International Co., Ltd.
P.O.Box 10245, Petach-Tikva, 49002
Tel: (972) 3-925-6900

OTHER REGIONS

Yamaha Music Gulf FZE
JAFZA-16, Office 512, P.O.Box 17328,
Jebel Ali FZE, Dubai, UAE
Tel: +971-4-801-1500

ASIA

THE PEOPLE'S REPUBLIC OF CHINA

Yamaha Music & Electronics (China) Co., Ltd.
2F, Yunhedasha, 1818 Xinhua-lu, Jingan-qu,
Shanghai, China
Tel: +86-400-051-7700

HONG KONG

Tom Lee Music Co., Ltd.
11/F, Silvercord Tower, 30 Canton Road,
Tsimshatsui, Kowloon, Hong Kong
Tel: +852-2-737-7688

INDIA

Yamaha Music India Private Limited
P-401, JMD Megapolis, Sector-48, Sohna Road,
Gurugram-122018, Haryana, India
Tel: +91-124-485-3300

INDONESIA

PT Yamaha Musik Indonesia Distributor
Yamaha Music Center Bldg. Jalan Jend. Gatot
Subroto Kav. 4, Jakarta 12930, Indonesia
Tel: +62-21-520-2577

KOREA

Yamaha Music Korea Ltd.
11F, Prudential Tower, 298, Gangnam-daero,
Gangnam-gu, Seoul, 06253, Korea
Tel: +82-2-3467-3300

MALAYSIA

Yamaha Music (Malaysia) Sdn. Bhd.
No.8, Jalan Perbandaran, Kelana Jaya, 47301
Petaling Jaya, Selangor, Malaysia
Tel: +60-3-78030900

SINGAPORE

Yamaha Music (Asia) Private Limited
Block 202 Hougang Street 21, #02-00,
Singapore 530202, Singapore
Tel: +65-6740-9200

TAIWAN

Yamaha Music & Electronics Taiwan Co., Ltd.
2F, No.1, Yuanfong Rd., Banqiao Dist.,
New Taipei City 22062, Taiwan (R.O.C.)
Tel: +886-2-7741-8888

THAILAND

Siam Music Yamaha Co. Ltd.
3, 4, 15, 16th Fl., Siam Motors Building,
891/1 Rama 1 Road, Wangmai,
Pathumwan, Bangkok 10330, Thailand
Tel: +66-2215-2622

VIETNAM

Yamaha Music Vietnam Company Limited
15th Floor, Nam A Bank Tower, 201-203 Cach
Mang Thang Tam St., Ward 4, Dist.3,
Ho Chi Minh City, Vietnam
Tel: +84-28-3818-1122

OTHER ASIAN REGIONS

[https://asia-latinamerica-mea.yamaha.com/
index.html](https://asia-latinamerica-mea.yamaha.com/index.html)

OCEANIA

AUSTRALIA

Yamaha Music Australia Pty. Ltd.
Level 1, 80 Market Street, South Melbourne,
VIC 3205 Australia
Tel: +61-3-9693-5111

NEW ZEALAND

Music Works LTD
P.O. BOX 6246 Wellesley, Auckland 4680,
New Zealand
Tel: +64-9-634-0099

REGIONS AND TRUST TERRITORIES IN PACIFIC OCEAN

[https://asia-latinamerica-mea.yamaha.com/
index.html](https://asia-latinamerica-mea.yamaha.com/index.html)

Head Office/Manufacturer: Yamaha Corporation 10-1, Nakazawa-cho, Naka-ku, Hamamatsu, 430-8650, Japan
Importer (European Union): Yamaha Music Europe GmbH Siemensstrasse 22-34, 25462 Rellingen, Germany
Importer (United Kingdom): Yamaha Music Europe GmbH (UK) Sherbourne Drive, Tilbrook, Milton Keynes, MK7 8BL, United Kingdom

Yamaha Global Site
<https://www.yamaha.com/>
Yamaha Downloads
<https://download.yamaha.com/>

Manual Development Group
© 2019 Yamaha Corporation
Published 06/2021 MWES-B0

VCH1280