

Technical Specifications

General Specifications

Model	VXL1(B/W)-24	VXL1(B/W)-16	VXL1(B/W)-8
Speaker type	Full-range, Bass reflex		
Component	1.5" (3.75 cm) Cone x 24	1.5" (3.75 cm) Cone x 16	1.5" (3.75 cm) Cone x 8
Coverage (-6 dB)*2	Horizontal	170°	170°
	Vertical	NORMAL: 15° (+7.5° to -7.5°) WIDE: 20° (+7.5° to -12.5°)	NORMAL: 25° (+12.5° to -12.5°) WIDE: 30° (+12.5° to -17.5°)
Effective coverage (-10 dB)*2	Horizontal	180°	180°
	Vertical	NORMAL: 25° (+12.5° to -12.5°) WIDE: 35° (+12.5° to -22.5°)	NORMAL: 30° (+15° to -15°) WIDE: 45° (+15° to -30°)
Nominal impedance	8Ω	12Ω	16Ω
Power rating	NOISE	110 W	80 W
	PGM	220 W	160 W
	MAX	440 W	320 W
Sensitivity (1 W; 1 m on axis) *1, *3	91 dB SPL (90 dB SPL: with port cover)	91 dB SPL (90 dB SPL: with port cover)	89 dB SPL (88 dB SPL: with port cover)
Maximum SPL*4	117 dB SPL (1 m)	116 dB SPL (1 m)	111 dB SPL (1 m)
Frequency range (-10 dB)*1		77 Hz – 20 kHz	81 Hz – 20 kHz
	(With port cover)	98 Hz – 20 kHz	108 Hz – 20 kHz
Connector	Euroblock (2 pin) x 2 (input: +/-) Max. wire size AWG12 (3.5 sq)		
Vertical coverage selector	NORMAL/WIDE		-
Overload protection	Full-range power limiting to protect network and transducers		
Magnetically shielded	No		
Dust and water resistant	IP34 (with port cover: IP35)		IP33 (with port cover: IP35)
Enclosure	Cabinet	VXL1B-24/16/8: Aluminum extrusion cabinet, black VXL1W-24/16/8: Aluminum extrusion cabinet, white	
	Top/Bottom	ABS(UL94-5VB)	
Metal grille	Perforated aluminum (t=1.0 mm) Aperture ratio: 55%		
Finish	VXL1B-24/16/8: Black painting (approximate value: Munsell N3.0) VXL1W-24/16/8: White painting (approximate value: Munsell N9.0)		
Dimensions (W x H x D)	Speaker only	54 x 1212 x 104 mm	54 x 846 x 104 mm
	With included bracket	54 x 1212 x 111.5 mm	54 x 846 x 111.5 mm
Net weight	Speaker only	5.5 kg	3.9 kg
Packaging	Packaged in 1 pc		

*1 : Half-space (2 π)

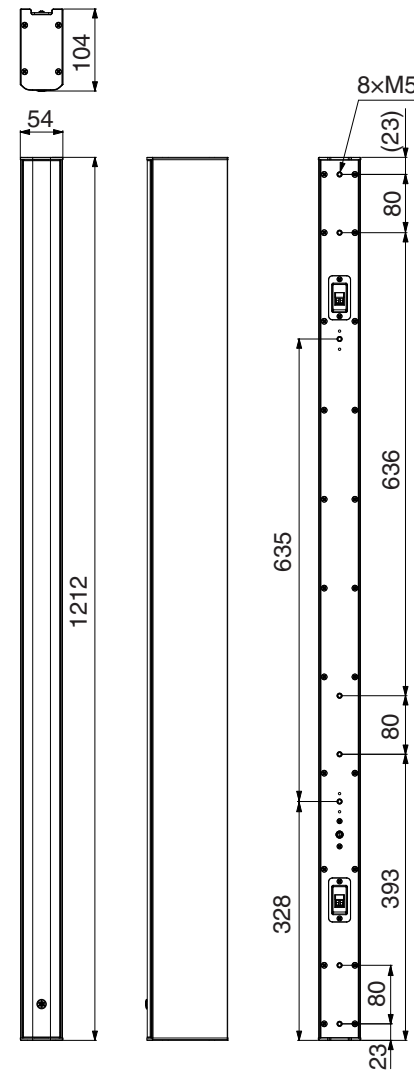
*2 : 1 kHz – 4 kHz average

*3 : Measured at 2 m; value converted to 1 m is shown (frequency range: 100 Hz – 10 kHz)

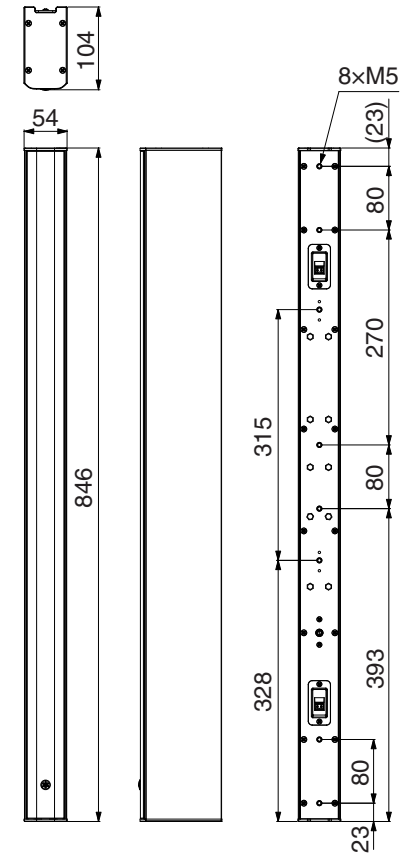
*4 : Calculated based on power rating and sensitivity, exclusive of power compression.

Dimensions

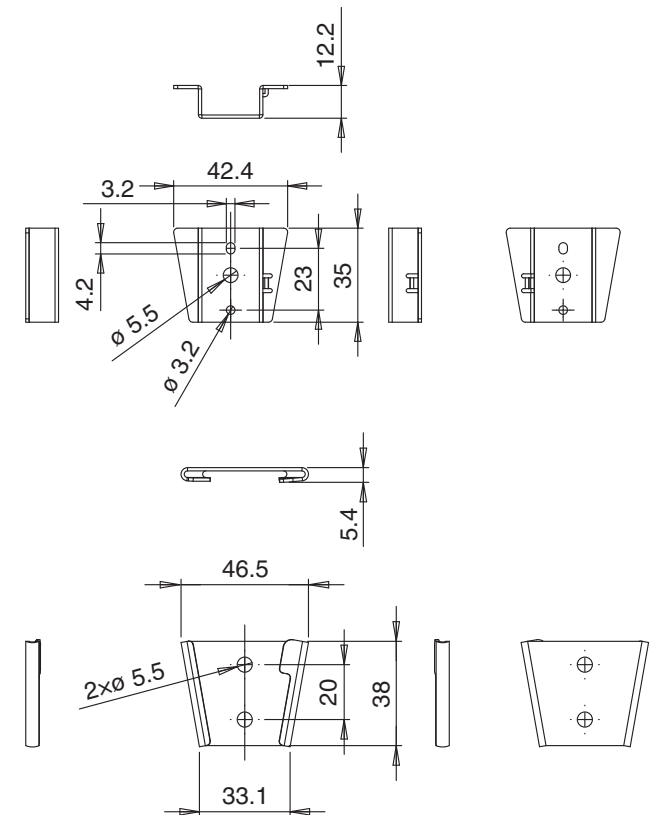
VXL1(B/W)-24



VXL1(B/W)-16

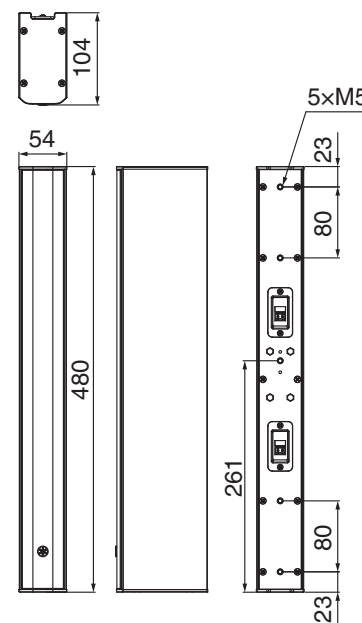


Mount Bracket



Unit: mm

VXL1(B/W)-8



* The contents of this manual apply to the latest specifications as of the publishing date. To obtain the latest manual, access the Yamaha website then download the manual file.

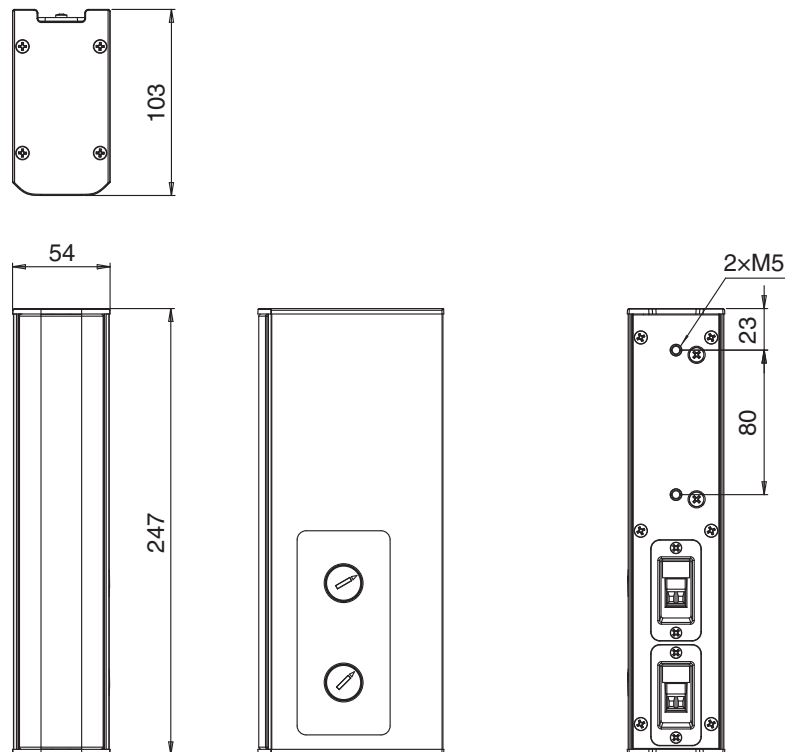
General Specifications

Model	ST-L1(B/W)a	
Supported speaker	VXL1(B/W)-24/16/8, VXL1(B/W)-24/16/8-WR	
Transformer taps	100 V	60 W, 30 W, 15 W
	70 V	60 W, 30 W, 15 W, 7.5 W
Speaker selector	VXL1(B/W)-24	
	VXL1(B/W)-16	
	VXL1(B/W)-8	
Dust and water resistant	IP55	
Dimensions (W × H × D)	54 × 247 × 103 mm	
Net weight	2.0 kg	
Packaging	Packaged in 1pc	

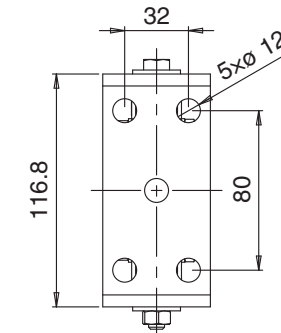
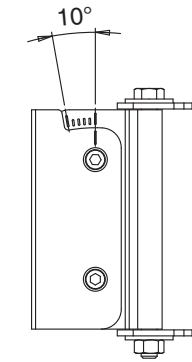
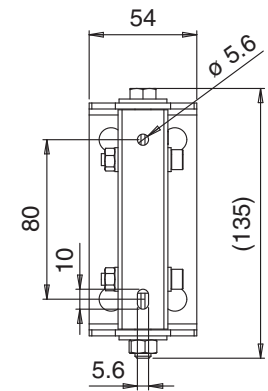
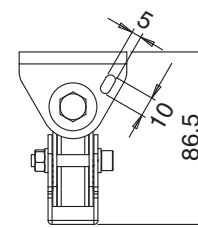
Model	WMB-L1(B/W)	VCB-L1B	VCSB-L1(B/W)	HCB-L1B
Supported speaker	VXL1(B/W)-24/16/8			
Material	Aluminum	Steel	Steel	Steel
Net weight	0.3 kg	0.23 kg	0.4 kg	(L) 0.19 kg (S) 0.06 kg

Dimensions

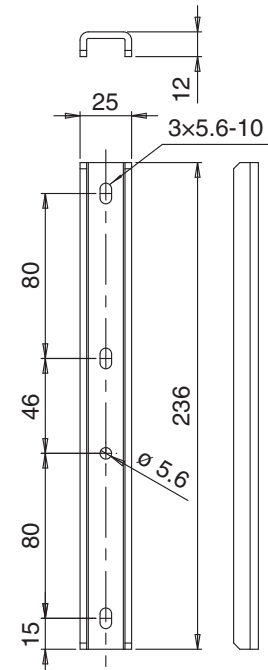
ST-L1(B/W)a



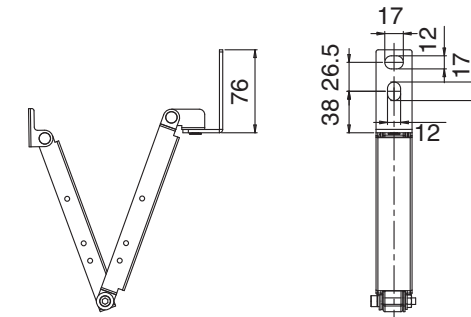
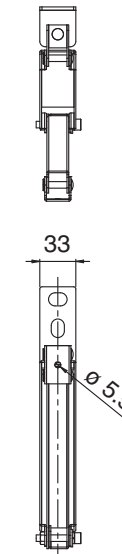
WMB-L1(B/W)



VCB-L1B

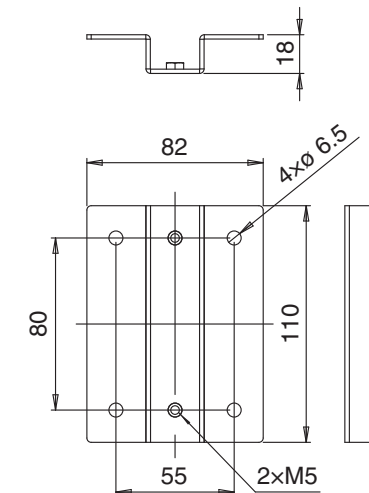


VCSB-L1(B/W)

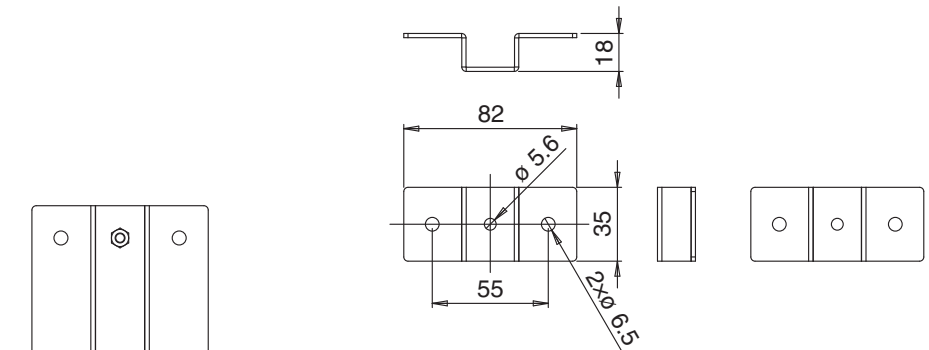


HCB-L1B

Coupling bracket (L)



Coupling bracket (S)



General Specifications

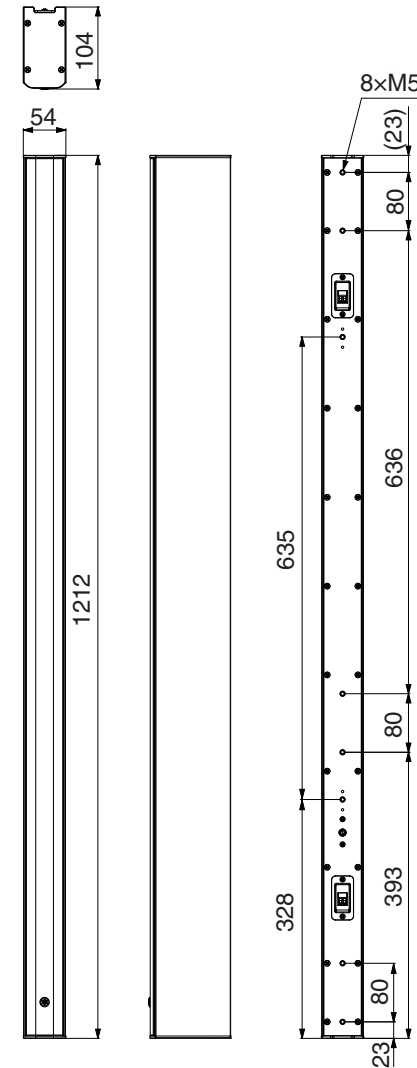
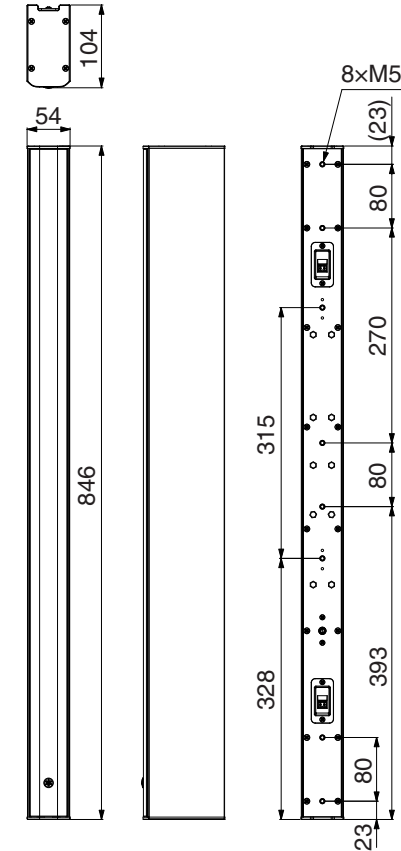
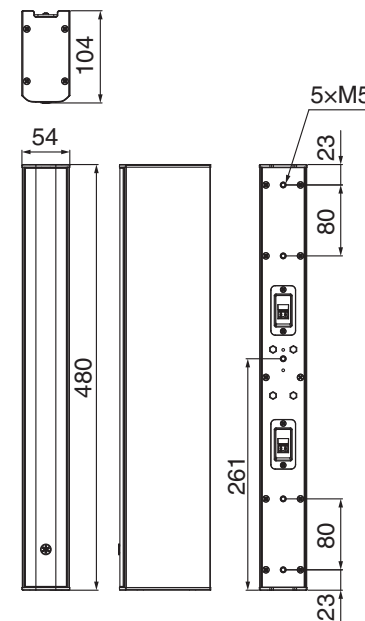
Model	VXL1(B/W)-24-WR	VXL1(B/W)-16-WR	VXL1(B/W)-8-WR
Speaker type	Full-range, Acoustic Suspension		
Component	1.5" (3.75 cm) Cone x 24	1.5" (3.75 cm) Cone x 16	1.5" (3.75 cm) Cone x 8
Coverage (-6 dB)*2	Horizontal	170°	170°
	Vertical	NORMAL 10° (+5° to -5°) WIDE 15° +5° to -10°	NORMAL 20° (+10° to -10°) WIDE 25° +10° to -15°
Effective coverage (-10 dB)*2	Horizontal	180°	180°
	Vertical	NORMAL 20° (+10° to -10°) WIDE 30° (+10° to -20°)	NORMAL 25° (+12.5° to -12.5°) WIDE 40° (+12.5° to -27.5°)
Nominal impedance	8Ω	12Ω	16Ω
Power rating	NOISE	110 W	80 W
	PGM	220 W	160 W
	MAX	440 W	320 W
Sensitivity (1 W; 1 m on axis)*1, *3	90 dB SPL	90 dB SPL	88 dB SPL
Maximum SPL*4	116 dB SPL (1 m)	115 dB SPL (1 m)	110 dB SPL (1 m)
Frequency range (-10 dB)*1	119 Hz – 18 kHz	128 Hz – 18 kHz	128 Hz – 18 kHz
Connector	Euroblock (2 pin) x 2 (input: +/-) Max. wire size AWG12 (3.5 sq)		
Vertical coverage selector	NORMAL/WIDE		–
Overload protection	Full-range power limiting to protect network and transducers		
Magnetically shielded	No		
Dust and water resistant	IP55		
Enclosure	Cabinet	VXL1B-24/16/8-WR: Aluminum extrusion cabinet, black VXL1W-24/16/8-WR: Aluminum extrusion cabinet, white	
	Top/Bottom	ABS (UL94-5VB) + Painting	
Metal grille	Perforated aluminum (t=1.0 mm) Aperture ratio: 55%		
Finish	VXL1B-24/16/8-WR: Black painting (approximate value: Munsell N3.0) VXL1W-24/16/8-WR: White painting (approximate value: Munsell N9.0)		
Dimensions (W x H x D)	Speaker only	54 x 1212 x 104 mm	54 x 846 x 104 mm
Net weight	Speaker only	5.5 kg	3.9 kg
Packaging	Packaged in 1 pc		

*1 : Half-space (2 π)

*2 : 1 kHz – 4 kHz average

*3 : Measured at 2 m; value converted to 1 m is shown (frequency range: 100 Hz – 10 kHz)

*4 : Calculated based on power rating and sensitivity

Dimensions
VXL1(B/W)-24-WR

VXL1(B/W)-16-WR

VXL1(B/W)-8-WR


Unit: mm

Technical Specifications

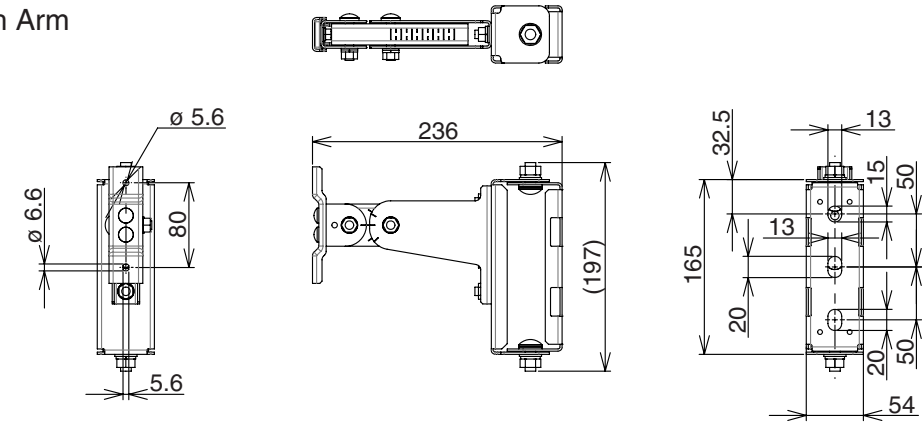
General Specifications

Model		PWMB-L1(B/W)-WR	
Supported speaker		VXL1(B/W)-24/16/8-WR	
Dimensions (W × H × D)	Wall mount	with Arm	54 × 197 × 236 mm
		without Arm	54 × 197 × 81 mm
	Pole mount	with Arm	62 × 197 × 253 mm
		without Arm	62 × 197 × 98 mm
Net weight	Wall mount	with Arm	1.3 kg
		without Arm	0.7 kg
	Pole mount	with Arm	1.5 kg
		without Arm	0.9 kg
Material		Stainless	
Packaging		Packaged in 1pc	

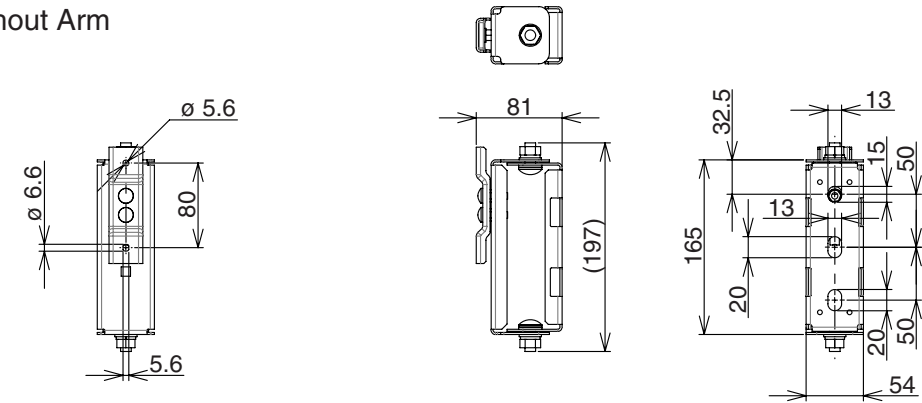
Dimensions

PWMB-L1(B/W)-WR

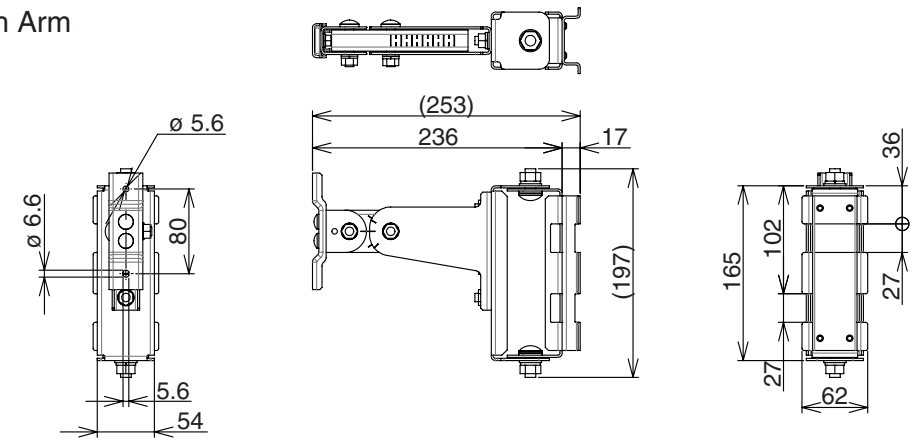
Wall mount with Arm



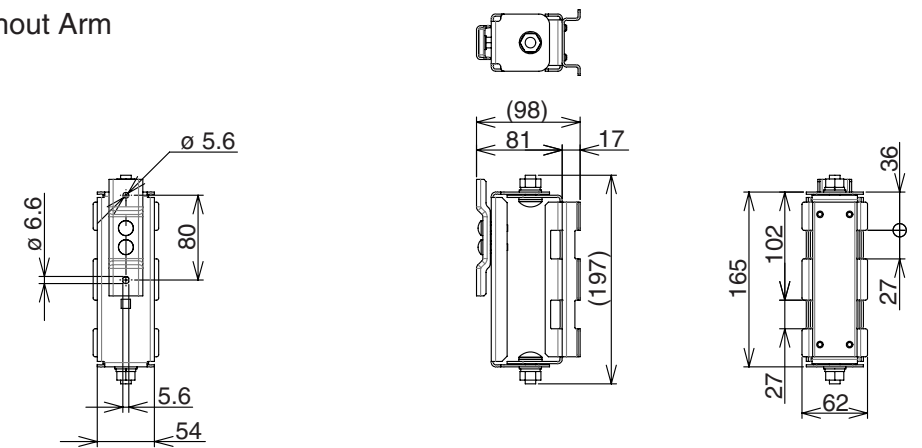
Wall mount without Arm



Pole mount with Arm



Pole mount without Arm



Unit: mm

Yamaha Pro Audio global website
<https://www.yamahaproaudio.com/>
Yamaha Downloads
<https://download.yamaha.com/>