

YAMAHA YHT-196 Home Theater Package Connection Guide

English

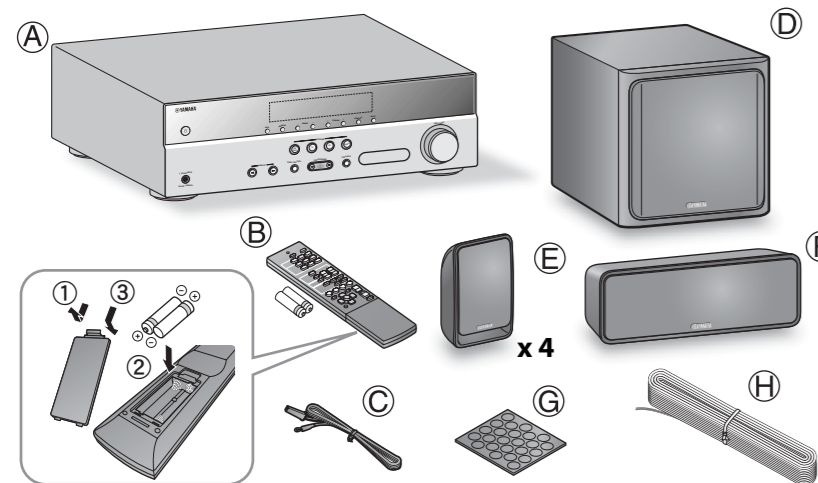
YAMAHA CORPORATION
© 2011 Yamaha Corporation
Printed in China WZ13610

The Yamaha YHT-196 Home Theater Package includes everything you need to add great sound to your home theater. By following the steps in this Connection Guide, you'll have your home theater set up in no time and be enjoying music and movies like never before. Part A explains how to connect the speakers and antenna. Part B explains how to connect various AV components. See the relevant owner's manuals for full instructions and precautions.

Caution: Disconnect all components from AC outlets before proceeding.

Part A: Speakers and Antenna

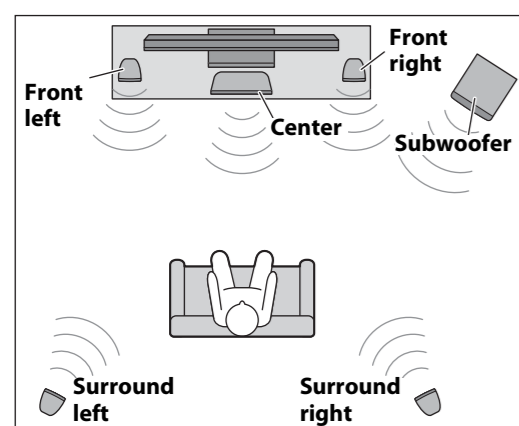
1 Checking the package contents



Unpack and check the package contents. The following items are necessary to complete this Connection Guide. See the owner's manuals for a complete list of supplied items.

- | | |
|---|-----------------------------------|
| A AV Receiver (HTR-2064) | D Subwoofer (NS-SWP20) |
| B Remote control and two batteries (AAA, R03, UM-4) | E Front/surround speaker (NS-B20) |
| C Indoor FM antenna (FM antenna type depends on destination country.) | F Center speaker (NS-C20) |
| | G Non-skid pad |
| | H Speaker cable |

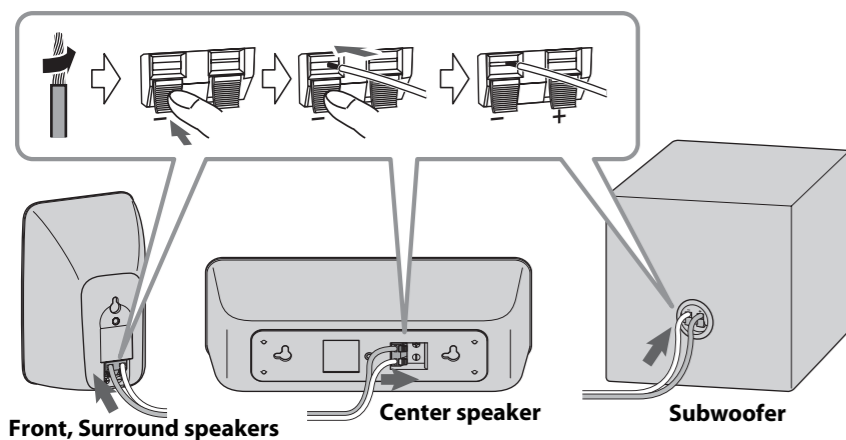
2 Positioning the speakers



The four front and surround speakers are identical, so it doesn't matter which one you use in each position.

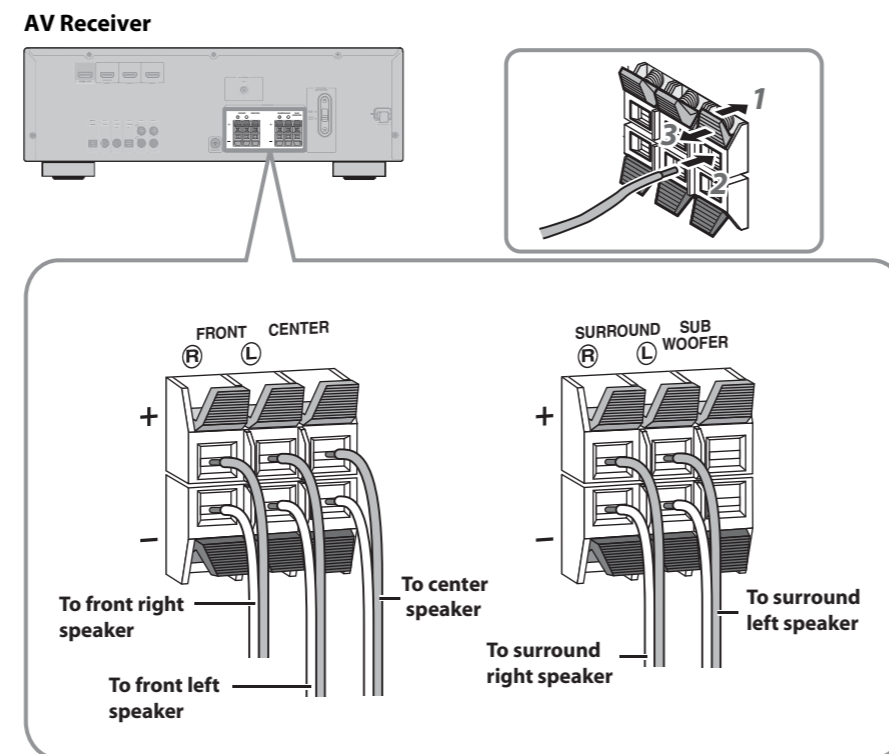
Position the speakers as shown. See the owner's manuals for more information on installing the speakers.

3 Preparing the cables, speakers and subwoofer



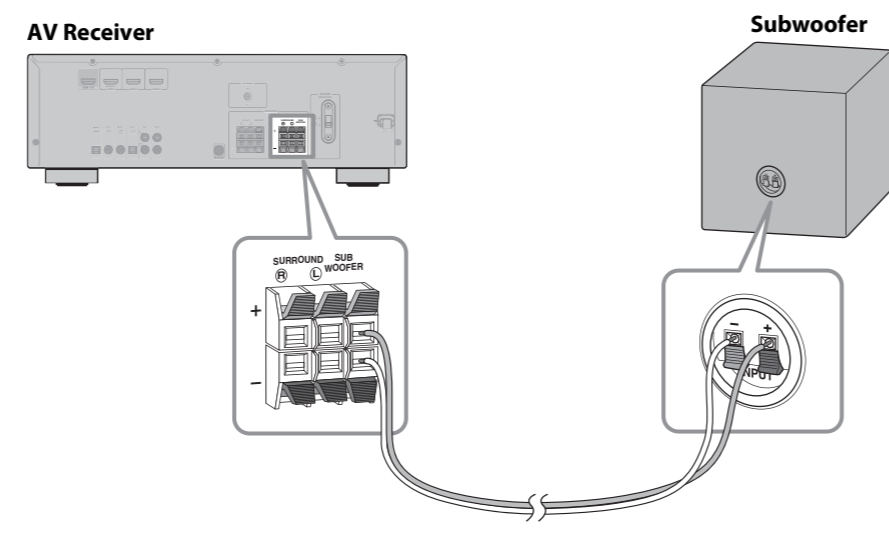
- Cut the included speaker cable to suitable lengths for the front, center, surround speakers and subwoofer. You need to make six cables altogether. Remove about 10 mm (3/8 in.) of insulation from the end of each cable, and then twist the bare strands tightly.
- Connect the speaker cables to the front speakers (E), surround speakers (E), center speaker (F) and subwoofer (D). Make sure you connect the speakers and subwoofer with the correct polarity—positive (+) terminals to positive (+) terminals, and negative (-) terminals to negative (-) terminals.

4 Connecting the front, center and surround speakers



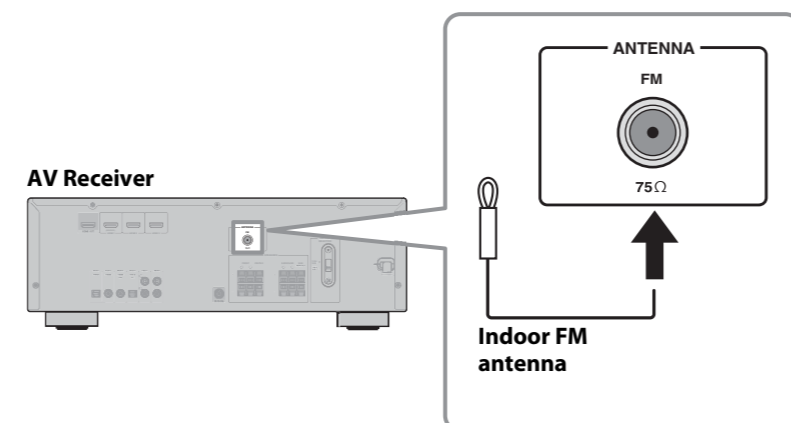
Connect the front speaker (E), center speaker (F) and surround speaker (E) cables to the AV Receiver. Make sure you connect the speakers with the correct polarity—positive (+) terminals to positive (+) terminals, and negative (-) terminals to negative (-) terminals.

5 Connecting the subwoofer



Connect the subwoofer (D) cables to the AV Receiver. Make sure you connect the subwoofer with the correct polarity—positive (+) terminals to positive (+) terminals, and negative (-) terminals to negative (-) terminals.

6 Connecting the antenna



Connect the indoor FM antenna (C) to the AV Receiver, as shown. See the owner's manuals for more information about connecting antenna.

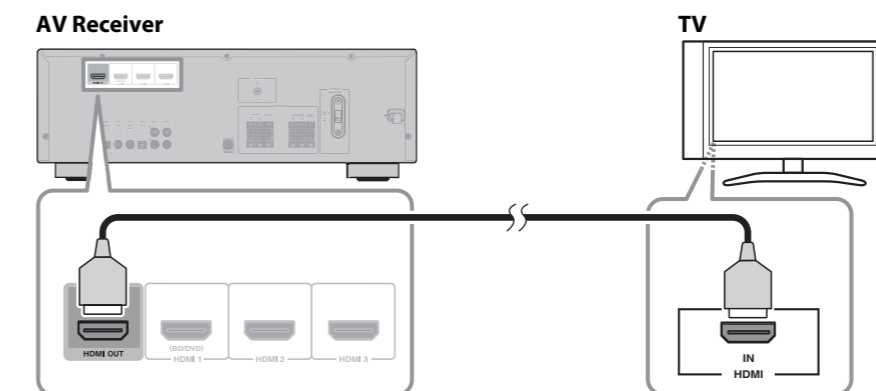
Part B: AV Components

Caution: Disconnect all components from AC outlets before proceeding.

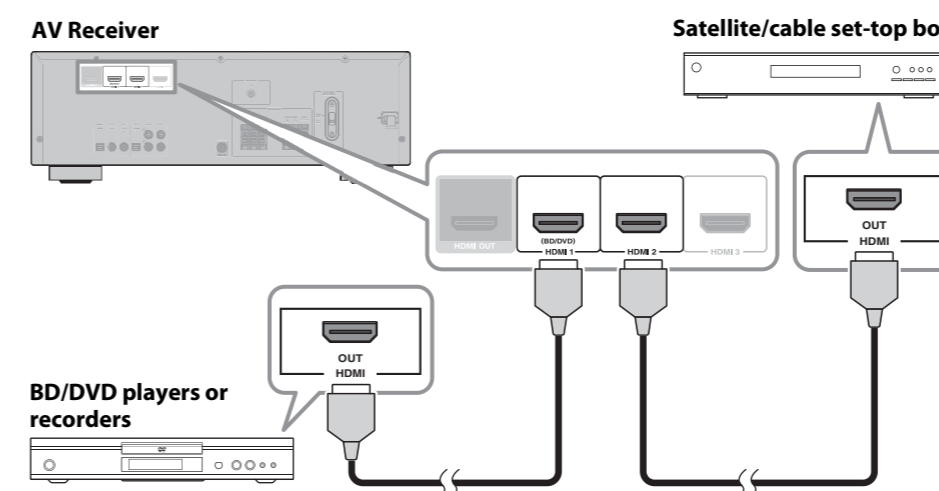
1 Connecting HDMI-capable components

If your TV and BD/DVD players or recorders or satellite/cable set-top box have HDMI jacks, you can connect them via the AV Receiver. Using HDMI cables (not included), connect the AV Receiver's HDMI OUT jack to an HDMI input on your TV, and connect your BD/DVD players or recorders and satellite/cable set-top box to the AV Receiver's HDMI 1 (BD/DVD) and HDMI 2 jacks, respectively, as shown. See the owner's manuals for more information about HDMI.

● Connecting your TV

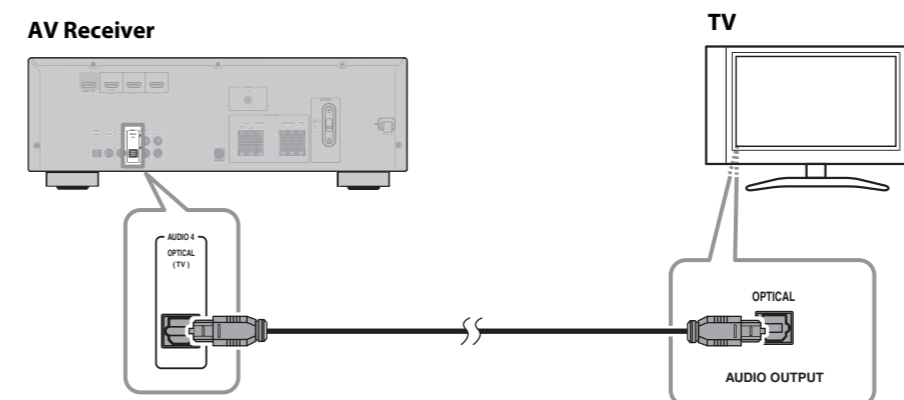


● Connecting your BD/DVD players or recorders, satellite/cable set-top box



2 Connecting your TV for audio output

You can listen to TV audio through the AV Receiver and speakers by connecting an audio output on your TV to an audio input on the AV Receiver with, for example, an optical digital audio cable (not included), as shown. To listen to TV audio, select the appropriate input source on the AV Receiver.



Your TV supports the Audio Return Channel function and HDMI Control function

- If your TV supports ARC (Audio Return Channel), this connection is unnecessary.
- The Audio Return Channel is required the setting of HDMI function of the AV Receiver before use.
- For the connections and settings, refer to "Single HDMI cable input to TV audio with Audio Return Channel function" (See HTR-2064 Owner's Manual).

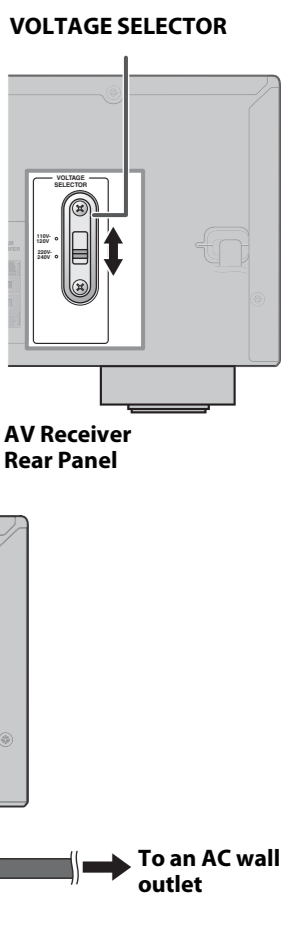
3 Set the VOLTAGE SELECTOR (General model) Connect the AC power cable (Other models)

Select the switch position according to your local voltage using a straight slot screwdriver.

(General model)
Voltages are AC 110-120/220-240 V, 50/60 Hz.

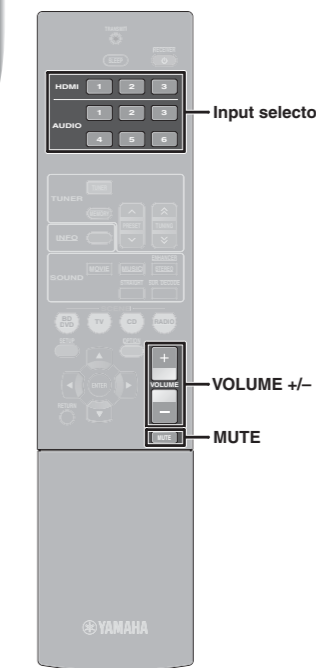
Caution
The VOLTAGE SELECTOR on the rear panel of this unit must be set for your local voltage BEFORE plugging the power cable into the AC wall outlet. Improper setting of the VOLTAGE SELECTOR may cause damage to this unit and create a potential fire hazard.

(Other models)
Connect the AV Receiver and your other AV components to suitable AC outlets.



4 Playback

Basic playback procedure



1. Turn on external components (TV, BD player, etc.) connected to this unit.
2. Turn on this unit and select the input source using Input selector. The name of the selected input source is displayed for a few seconds.
3. Play the external component that you have selected as the source input, or select a radio station on the tuner. Refer to the instruction manuals provided with the external component for details.
4. Press VOLUME +/- to adjust the volume. To mute the output. Press MUTE to mute the audio output. Press MUTE again to unmute.

More various functions are available with the unit.

Refer to the "HTR-2064 Owner's Manual" for details on effective use of the unit.

Connecting external devices other than BD/DVD players

Various devices, audio players, such as CD players, video games, camcorders, etc. can be connected to the unit.

Changing input settings with a single key (SCENE function)

This unit has a SCENE function that allows you to turn the power on and change input sources and sound field programs with one key.

Enjoying sound field programs

You can enjoy multi-channel playback for almost any sound source using various sound field programs stored on the chip, and a range of sound decoders.

For more detail, see the relevant owner's manuals for full operating instructions.

Time to enjoy your Yamaha Home Theater Package!

Now, relax and enjoy the great sound of your Yamaha Home Theater Package.