

This Quick Reference Guide provides instructions for connecting a TV and BD/DVD player to this device, applying settings, and playing content. For more information on operations, refer to the "Owner's Manual" in the supplied CD-ROM. Read the supplied booklet "Safety Brochure" before using this unit. For instructions on how to operate or set the external devices, refer to the owner's manual supplied with each device.

#### Supplied accessories

Before connecting, make sure you have received all of the following items.

Center unit (YSP-CU2500)	Wireless subwoofer (NS-WSW120)
Remote control	Batteries (AAA, R03, UM-4) (x2)
Optical cable (1.5 m (4.9 ft))	IntelliBeam microphone (6 m (19.7 ft))
Cardboard microphone stand	Non-skid pads (8 pcs)
Owner's Manual CD-ROM	Quick Reference Guide (this booklet)
Safety Brochure	

#### Supplied accessories for the optional Wall Mount Bracket SPM-K20

See page 19 in the Owner's Manual.

Spacers (x2)	Pads (x3)	Screws (M4, 22 mm) (x2)	Mounting template
--------------	-----------	-------------------------	-------------------

#### Devices and cables required for connection

- TV
- BD/DVD player
- HDMI cables (x2)

#### Preparing remote control

##### Installing the batteries

Battery x 2 (supplied) (AAA, R03, UM-4)

1 Press down on the arrow and slide the cover in the direction in which it points.

2

3 Slide the cover back to close it.

#### Operation range

Within 6 m (20 ft)

## Installation

### Installation

- Install the center unit in the center of the left and right walls.
- Place the center unit on a TV stand in front of the TV\*.
- This unit can be mounted on a wall using the optional Wall Mount Bracket SPM-K20. See page 19 in the Owner's Manual.

\* Use the TV Remote Repeater function if the center unit obstructs the remote control sensor on the TV. See "Enabling TV Remote Repeater function".

To prevent sound reflecting off of walls, angle the subwoofer slightly toward the center of the room.

- When installing the subwoofer on a rack, be sure the rack is strong enough to support the subwoofer and that it leaves sufficient space for heat discharge.
- The subwoofer can also be placed on its side. See page 18 in the Owner's Manual.

This unit creates surround effects by reflecting sound beams off the walls of your listening room. The arrows in the diagrams below indicate the images of paths of 5-channel sound beams. To achieve desired surround sound effects, install this unit where there are no objects such as furniture obstructing the path of sound beams.

#### Parallel installation

① Front left channel  
② Center channel  
③ Front right channel  
④ Surround left channel  
⑤ Surround right channel

#### Corner installation

40° to 50°

① Front left channel  
② Center channel  
③ Front right channel  
④ Surround left channel  
⑤ Surround right channel

Objects, such as furniture

#### Adjusting the height of the center unit

Turn the legs counter-clockwise to increase the height of the center unit if necessary. Use the arrows (△) on the bottom of the left and right legs, and the scale on the insides of these legs, to confirm that the legs are positioned at the same height.

Adjustable range: 22 to 35 mm (7/8 to 1-3/8 in)

#### Removing the legs

If the center unit obstructs the remote control sensor on the TV or signal transmitter for 3D glasses, remove the legs to decrease the height of the center unit. The legs consist of components (inner legs) that are fixed to the center unit with screws, and components (outer legs) that can be removed by rotating them.

- 1. Remove the outer legs.**  
Keep turning the outer legs counter-clockwise to remove them.
- 2. Remove the inner legs.**  
Use a screwdriver to remove the screws.
- 3. Attach the one of the four supplied non-skid pads at each of the four corners on the bottom of the center unit.**  
An example of pad positioning is shown in the illustration below.

**Note**  
Store the legs and screws in a safe place out of the reach of children for later use and to prevent children from accidentally swallowing screws.

## Connection

### Connecting a TV and BD/DVD player

For the cable connection, follow the procedure below. See page 26 in the Owner's Manual when connecting other playback devices such as a game console.

- 1. HDMI cable (optional)**  
Input the digital audio/video signals from the BD/DVD player to this unit.
- 2. HDMI cable (optional)**  
Digital video from the BD/DVD player is displayed on the TV.
- 3. To an AC wall outlet**

**Tips**  
**Audio Return Channel (ARC) supported TV**  
• Connect an HDMI cable to the audio return channel supported jack (the jack with "ARC" indicated) on TV.  
• Activate the HDMI control function of this unit so as to activate the Audio Return Channel (ARC). See page 59 in the Owner's Manual.

**What is Audio Return Channel (ARC)?**  
A function transmits digital audio signal output from TV to this unit through an HDMI cable. By this function, an optical cable to connect TV and this unit is not needed.

- Do not connect the power cable until all connections are completed.
- Do not use excessive force when inserting the cable plug. Doing so may damage the cable plug and/or jack.

#### Turning on the unit

Plug the power cable of the supplied subwoofer into an AC wall outlet. When the center unit is turned on, the center unit and subwoofer are automatically connected via a wireless connection.

- 1. Plug the subwoofer's power cable into an AC wall outlet.**
- 2. Press the power key.**

**TX indicator**  
Glow

**Connection indicator**  
Glow green

#### Enabling TV Remote Repeater function

When the TV Remote Repeater function is enabled, the unit receives TV remote control signals at the TV remote control sensor (on front) and transmits the signals from the TV Remote Repeater (on rear). This function is useful when you cannot operate your TV from the remote control because the remote control sensor of the TV is blocked by the unit. This function can be used while the TV remote control is using infrared signals.

- 1. Hold down the REPEATER key on the supplied remote control for more than 3 seconds.**

REPEATER Glows

TV remote control sensor

TV remote control

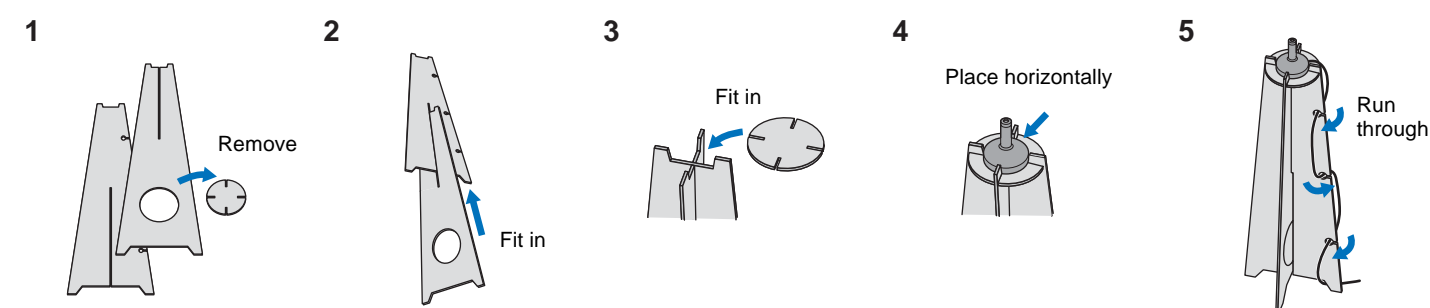
TV Remote Repeater

## Carrying out AUTO SETUP for appropriate surround effects

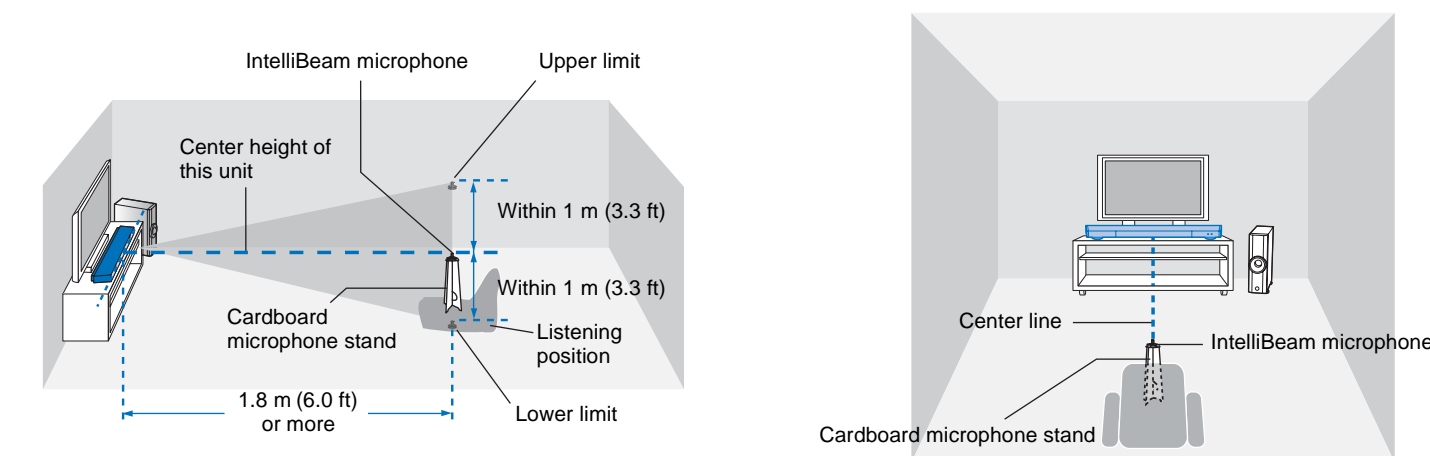
The IntelliBeam technology allows you to achieve sound adjustments that best match your listening environment. It is normal for loud test tones to be output during the AUTO SETUP procedure. Make sure that there are no children around in the listening room while the AUTO SETUP procedure is in progress.

### 1. Place the IntelliBeam microphone at your normal listening position.

Assemble the cardboard microphone stand and place the IntelliBeam microphone on top of it horizontally as shown below.



Use the supplied cardboard microphone stand to place the IntelliBeam microphone at the same height as your ears would be when you are seated. Make sure that there are no obstacles between the IntelliBeam microphone and the walls in your listening room as these objects obstruct the path of sound beams.



### 2. Press the **POWER** key to turn on this unit.



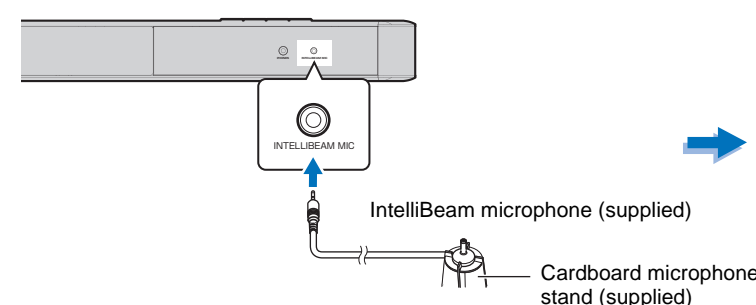
### 3. Turn the TV on and switch the TV's input to display video content from this unit.

When this unit is connected to the HDMI input on the TV (as shown in "Connecting a TV and BD/DVD player" in this Quick Reference Guide), switch the TV's input to "HDMI1".

#### Tip

You can select the language for the menu display. Press and hold the **SETUP** (⚙️) key until the "OSD LANGUAGE" menu appears. Press the **▲/▼** key to select the desired language. Press the **SETUP** (⚙️) key again to exit the setup menu.

### 4. Connect the IntelliBeam microphone to the INTELLIBEAM MIC jack on the rear of the unit.



AUTO SETUP  
(PREPARATION & CHECK)  
Please connect the MIC.  
Please place the MIC at least  
1.8m/6ft away from Sound Pro-  
jector. The MIC should be set  
at ear level when seated.  
Measurement takes about 3min.  
After [ENTER] is pressed,  
please leave the room.  
[ENTER]: Start [RETURN]: Cancel

### 5. Make sure that your listening room is as quiet as possible.

For accurate measurement, turn off air conditioner or other devices that make noises.

#### Note

Follow the instructions below and then leave the room. If you remain in the room, you may obstruct the beam, or the microphone may pick up any sounds you make, possibly resulting in improper configuration of settings. When leaving the room, bring this Quick Reference Guide with you. The AUTO SETUP procedure takes about 3 minutes. Wait outside the room during the AUTO SETUP procedure. To cancel the AUTO SETUP procedure after it is started, press the **RETURN** (↩️) key on the remote control.

### 6. Press the **ENTER** key to start the AUTO SETUP procedure and then leave the room within 10 seconds.

The screen automatically changes during the AUTO SETUP procedure. If the AUTO SETUP procedure is complete, this unit rings the chimes and the results will be displayed on the TV.

#### Tip

- The results displayed depend on the position of the unit.
- If you hear a buzzer sound and an error message appears on the TV, look for a solution in "If an error message is displayed" on page 36 in the Owner's Manual.

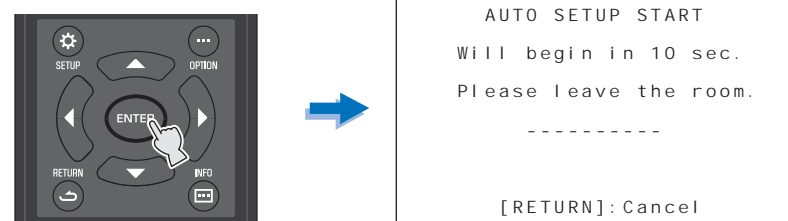
### 7. Press the **ENTER** key.

The measurement results are applied and saved in the unit.

- You can save several measurement results by pressing the **SYSTEM MEMORY 1, 2, or 3** key. See page 34 in the Owner's Manual. When the **SYSTEM MEMORY 1** key is pressed, "M1 Saving" is displayed, and settings are saved.
- If ambient noise is picked up after measurement begins, an error message is displayed in the "AUTO SETUP COMPLETE" screen prompting you to begin measurement again. Press the **ENTER** key to begin measurement again.

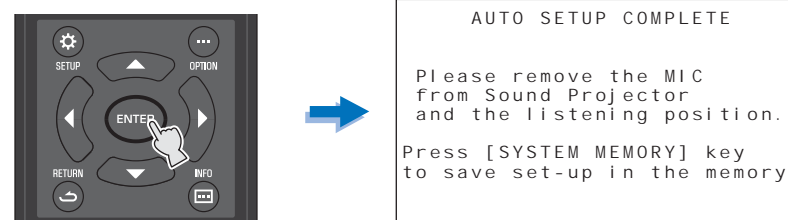
### 8. Remove the IntelliBeam microphone.

The IntelliBeam microphone is sensitive to heat, so should not be placed anywhere where it could be exposed to direct sunlight or high temperatures (such as on top of AV equipment).



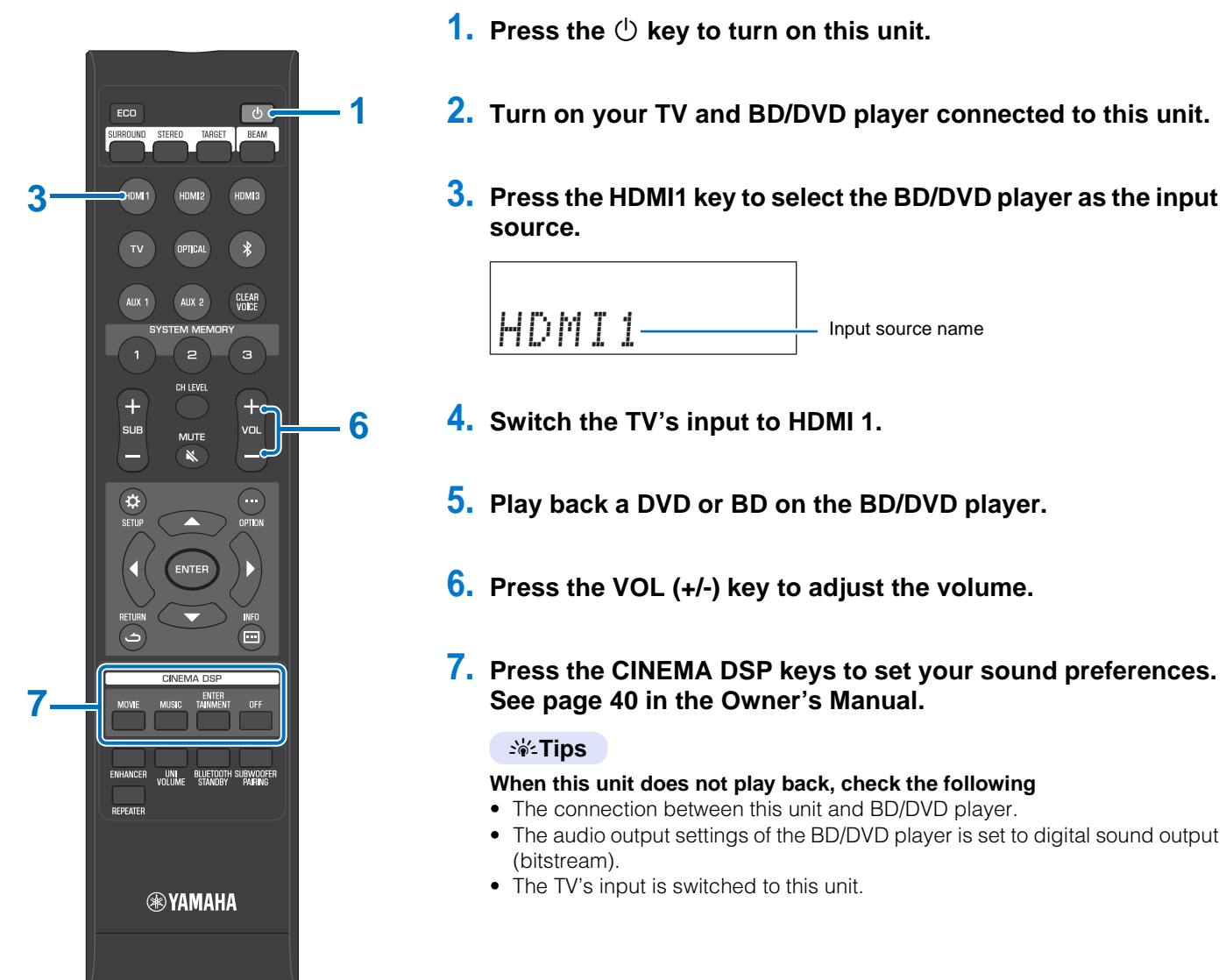
(After 3 min.)

SHOW RESULT  
MEASUREMENT COMPLETE.  
ENVIRONMENT CHECK: Success  
BEAM MODE: 5Beam/Plus2  
[ENTER]: Save set-up.  
[RETURN]: Do not save set-up.



## Playing back

Confirm that this unit and other devices are properly connected by playing a DVD or BD on the BD/DVD player. The following explains the playback procedure when this unit, TV, and BD/DVD player are connected as shown in "Connecting a TV and BD/DVD player" in this Quick Reference Guide.



### 1. Press the **POWER** key to turn on this unit.

### 2. Turn on your TV and BD/DVD player connected to this unit.

### 3. Press the **HDMI1** key to select the BD/DVD player as the input source.

HDMI 1 Input source name

### 4. Switch the TV's input to HDMI 1.

### 5. Play back a DVD or BD on the BD/DVD player.

### 6. Press the **VOL (+/-)** key to adjust the volume.

### 7. Press the **CINEMA DSP** keys to set your sound preferences. See page 40 in the Owner's Manual.

#### Tip

When this unit does not play back, check the following

- The connection between this unit and BD/DVD player.
- The audio output settings of the BD/DVD player is set to digital sound output (bitstream).
- The TV's input is switched to this unit.

## Enjoying TV

### 1. Select the desired TV channel.

### 2. Press the **TV** key.



#### Tip

- When audio is output from the TV speaker, set TV's audio output to any option other than TV. See the instructions manual of TV for more information.
- HDMI control function** You can use the TV remote control to operate this unit if your TV supports the HDMI control function. See page 37 in the Owner's Manual.

## Listening to the sound from a Bluetooth device

You can listen to the wireless sound from a Bluetooth device, such as a smartphone or digital music player. See also the instructions manual of the Bluetooth device for more information.

### 1. Press the **Bluetooth** key on the remote control.

"Bluetooth" is selected as the input.



BLUETOOTH

### 2. Turn on the Bluetooth device to be paired, and perform pairing.

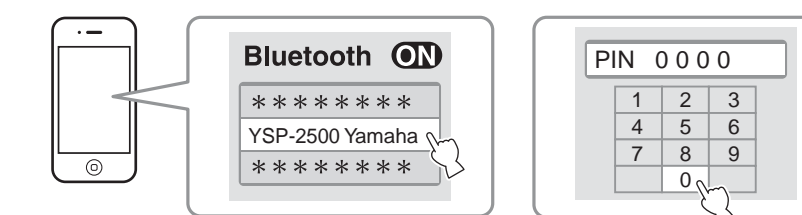
The operation varies depending on the device. Refer to the operation manual of the device.

#### Tip

- Perform pairing with the Bluetooth device and unit within 10 m (33 ft) of each other.
- Pairing is required for connecting a Bluetooth device for the first time.

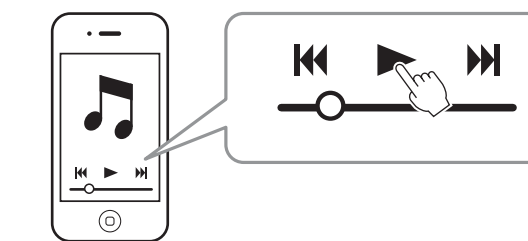
### 3. Select "YSP-2500 Yamaha" in the Bluetooth device list on the device.

If a passkey (PIN) is required, enter the number "0000". When pairing is completed, **BT** or a completion message appears on the Bluetooth device.



### 4. Play back a song on the Bluetooth device.

"BLUETOOTH", or the name of the connected device, is displayed in the front panel display. "\_" is displayed for non-alphanumeric characters in the device name.



## HOME THEATER CONTROLLER app for smartphones and tablets

HOME THEATER CONTROLLER, a dedicated control app for Yamaha Home Theater components, enables basic operation of this unit, including the ability to turn it off, switch between input sources, adjust volume, and select a sound program, using a smartphone or tablet.

- The following devices support this app.
  - iPod touch (4th generation or later) running iOS 5.1.1 or later
  - iPhone 3GS or later devices running iOS 5.1.1 or later
  - iPad running iOS 5.1.1 or later
  - Android (version 2.3.3 or later) devices
- This app uses Bluetooth wireless communication.
- Search "HOME THEATER CONTROLLER" on Apple's App Store or Google Play's website to download the app or obtain the latest information on the app.
- Android is a trademark of Google Inc.
- iPad, iPhone, iPod, and iPod touch are trademarks of Apple Inc., registered in the U.S. and other countries.

For detailed operation, refer to the Owner's Manual on the supplied CD-ROM.