



MusicCast 200

Desktop Audio System
Système Audio Desktop
Настольная Аудиосистема

TSX-N237

TSX-N237D

- EN** Safety Brochure
- FR** Brochure sur la Sécurité
- DE** Sicherheitsbroschüre
- SV** Säkerhetsanvisningar
- IT** Volantino sulla sicurezza
- ES** Folleto de seguridad
- NL** Veiligheidsbrochure
- RU** Брошюра по безопасности

English

Français

Deutsch

Svenska

Italiano

Español

Nederlands

Русский

PRECAUTIONS

PLEASE READ CAREFULLY BEFORE USE. BE SURE TO FOLLOW THESE INSTRUCTIONS.

The precautions listed below are to prevent risk of harm to the user and others, as well as to prevent property damage, and to help the user use this unit properly and safely. Be sure to follow these instructions.

After reading this manual, be sure to keep it in a safe place where it can be referenced at any time.

- Be sure to request inspections or repairs from the dealer where you purchased the unit or from qualified Yamaha service personnel.
- Yamaha cannot be held responsible for injury to you or damage of the products caused by improper use or modifications to the unit.
- This product is for ordinary homes. Do not use for applications requiring high reliability, such as managing lives, health care or high-value assets.



WARNING

This content indicates “risk of serious injury or death.”

If you notice any abnormality

- If any of the following abnormalities occur, immediately turn off the power and disconnect the power plug.
 - The power cord/plug is damaged.
 - An unusual smell, unusual sound or smoke is emitted from the unit.
 - Foreign material or water gets into the interior of the unit.
 - There is a loss of sound during use.
 - There is a crack or damage in the unit.

Continued use could cause electric shocks, a fire, or malfunctions. Immediately request an inspection or repair from the dealer where you purchased the unit or from qualified Yamaha service personnel.

Power supply

- Do not do anything that could damage the power cord.
 - Do not place it near a heater.
 - Do not bend it excessively or alter it.
 - Do not scratch it.
 - Do not place it under a heavy object.

Using the power cord with the core of the cord exposed could cause electric shocks or a fire.

- Do not touch the power plug or cord if there is a chance of lightning. Failure to observe this may cause electric shocks.
- Use this unit with the power supply voltage printed on it. Failure to connect to an appropriate AC outlet may cause a fire, electric shocks, or malfunctions.
- Check the electric plug periodically and remove any dirt or dust which may have accumulated on it. Failure to observe this may cause a fire or electric shocks.
- When setting up the unit, make sure that the AC outlet you are using is easily accessible. If some trouble or malfunction occurs, immediately turn off the power switch and disconnect the plug from the AC outlet. Even when the power switch is turned off, as long as the power cord is not unplugged from the wall AC outlet, the unit will not be disconnected from the power source.
- If not using the unit for long periods of time, be sure to pull the power plug from the AC outlet. Failure to observe this may cause a fire or malfunctions.

Do not disassemble

- Do not disassemble or modify this unit. Failure to observe this may cause a fire, electric shocks, injury, or malfunctions.

Water warning

- Do not expose the unit to rain, use it near water or in damp or wet conditions, or place on it any containers (such as vases, bottles or glasses) containing liquids which might spill into any openings or places where water may drop. A liquid such as water getting into the unit may cause a fire, electric shocks, or malfunctions.
- Never insert or remove an electric plug with wet hands. Do not handle this unit with wet hands. Failure to observe this may cause electric shocks or malfunctions.

Fire warning

- Do not place any burning items or open flames near the unit, since they may cause a fire.

Handling caution

- Be careful not to drop or apply strong impact to this unit. Failure to observe this may cause electric shocks, a fire, or malfunctions.
- Do not place metallic objects, such as straps with metal components, near the Qi icon. Failure to observe this precaution may result in a fire, burn, or other injury.

Battery use

- **DO NOT INGEST BATTERY, CHEMICAL BURN HAZARD**

The remote control supplied with this product contains a coin/button cell battery. If the coin/button cell battery is swallowed, it can cause severe internal burns in just 2 hours and can lead to death.

Keep new and used batteries away from children. If the battery compartment does not close securely, stop using the product and keep it away from children.

If you think batteries might have been swallowed or placed inside any part of the body, seek immediate medical attention.

- Do not disassemble a battery. Failure to comply may result in fire, overheating, explosion or malfunction. If the contents of the battery get on your hands or in your eyes, it can cause blindness or chemical burns.
- Do not dispose of a battery in fire. Do not expose the battery to conditions of extreme low air pressure, cold or heat (such as in direct sunlight or a fire) or excessive dust or humidity. Doing so may result in the battery bursting, causing a fire or injury.
- Do not attempt to recharge batteries that are not intended to be charged. Charging could cause the battery to burst or leak, which can cause blindness, chemical burns, or injury.
- If the batteries do leak, avoid contact with the leaked fluid. If the battery fluid should come in contact with your eyes, mouth, or skin, wash immediately with water and consult a doctor. Battery fluid is corrosive and may possibly cause loss of sight or chemical burns.

Wireless unit

- Do not use this unit near medical devices or inside medical facilities. Radio waves from this unit may affect electro-medical devices.
- Do not use this unit within 15 cm (6 in) of persons with a heart pacemaker implant or a defibrillator implant. Radio waves from this unit may affect electro-medical devices, such as a heart pacemaker implant or defibrillator implant.

Laser

- Do not look into the laser source. If there is nothing to block it, this unit emits a visible laser. Avoid looking at the laser directly. Laser light entering your eyes may cause visual impairment. When the plug is inserted into the AC outlet, do not place your eyes near openings of the disk tray or other openings, and do not try to look inside the unit.



CAUTION

This content indicates “risk of injury.”

Power supply

- Do not use an AC outlet where the power plug fits loosely when inserted. Failure to observe this may cause a fire, electric shocks, or burns.
- When disconnecting the power plug, always hold the plug itself and not the cord. Pulling by the cord can damage it and cause electric shocks or a fire.

- Insert the power plug firmly all the way into the AC outlet. Using the unit when it is not plugged in sufficiently can cause dust to accumulate on the plug, causing a fire or burns.

Installation

- Do not place the unit in an unstable position where it might accidentally drop or fall over and cause injuries.
 - When installing this unit, do not obstruct heat dissipation.
 - Do not cover it with any cloth.
 - Do not install it on a carpet or rug.
 - Do not block this unit's ventilation holes (cooling slits).
 - Do not install the unit in other ways than indicated.
 - Do not use the device in a confined, poorly-ventilated location.
- Failure to observe the above may trap heat inside the unit, causing a fire or malfunctions. Ensure that there is adequate space around the unit: at least 15 cm (6 in) on top, 10 cm (4 in) on the sides, and 10 cm (4 in) on the rear.
- Do not install the unit in places where it may come into contact with corrosive gases or salt air or places that have excessive smoke or steam. Doing so may result in malfunction.
 - Avoid being near the unit during a disaster, such as an earthquake. Since the unit may turn over or fall and cause injury, quickly move away from the unit and go to a safe place.
 - Before moving this unit, be sure to turn off the power switch and disconnect all connection cables. Failure to observe this may damage the cables or cause you or someone else to trip and fall.

Hearing loss

- Do not use the unit for a long period of time at a high or uncomfortable volume level, since this can cause permanent hearing loss. If you experience any hearing loss or ringing in the ears, consult a physician.
- Before connecting the unit to other devices, turn off the power for all devices. Also, before turning the power of all devices on or off, make sure that all volume levels are set to the minimum. Failing to do so may result in hearing loss, electric shock, or device damage.
- When turning on the AC power in your audio system, always turn on the unit **LAST**, to avoid hearing loss and speaker damage. When turning the power off, the unit should be turned off **FIRST** for the same reason. Failure to observe the above may cause hearing impairment or speaker damage.

Maintenance

- Remove the power plug from the AC outlet before cleaning the unit. Failure to observe this may cause electric shocks.

Handling caution

- Do not insert foreign materials such as metal or paper into the openings of this unit. Failure to observe this may cause a fire, electric shocks, or malfunctions.
- Keep small parts out of the reach of infants. Your children may accidentally swallow them.
- Do not do the following:
 - Stand on or sit on the equipment.

- Put heavy items on top of the equipment.
- Place the equipment in a stack.
- Apply unreasonable force to buttons, switches, input/output terminals, etc.

Failure to observe this may cause injuries or damage to the equipment.

- Avoid pulling the connected cables to prevent injuries or damage to the unit by causing it to fall.

Battery use

- Do not use batteries other than specified batteries. Doing so may cause fire or burns, or result in fluid leakage that may cause skin inflammation.
- Keep batteries away from children. A child could accidentally swallow a battery. Failure to observe this may also cause inflammation due to battery fluid leaks.
- Do not put in a pocket or bag, carry, or store batteries together with pieces of metal. The battery could short, burst, or leak, causing a fire or injury.
- Always make sure all batteries are inserted in conformity with the +/- polarity markings. Failure to do so might result in a fire, burns, or inflammation due to fluid leaks.
- When the batteries run out, or if the unit is not to be used for a long time, remove the batteries from the remote control to prevent possible leakage of the battery fluid.
- When storing or discarding batteries, insulate the terminal area by applying tape, or some other protection. Mixing them with other batteries or metal objects can cause a fire, burns, or inflammation due to fluid.

Notice

Indicates points that you must observe in order to prevent product failure, damage or malfunction and data loss.

Power supply

- If not using the unit for a long period of time, be sure to pull the power plug from the outlet. Even if this unit is turned off by [⏻] (Standby/On), a minute current is still flowing.

Installation

- Do not use this unit in a location that is exposed to direct sunlight that becomes extremely hot, such as near a heater, or extremely cold, or that is subject to excessive dust or vibration. Failure to observe this may cause the unit's panel to become deformed, the internal components to malfunction, or for operation to become unstable.
- If using a wireless function, avoid installing this unit near metal walls or desks, microwave ovens, or other wireless network devices. Obstructions could shorten the transmission distance.
- Do not place magnetically sensitive items (watch, debit or credit card, etc.) on the unit.

Connections

- Do not connect this product to a public Wi-Fi and/or Internet service directly. Only connect this product to the Internet through a router with strong password protections. Consult your router manufacturer for information on optimum security practices.
- If connecting external units, be sure to thoroughly read the manual for each unit and connect them in accordance with the instructions. Failure to properly handle a unit in accordance with the instructions could cause malfunctions.

Handling

- If the ambient temperature changes drastically (such as during unit transportation or under rapid heating or cooling) and there is a chance condensation may have formed in the unit, leave the unit for several hours without turning on the power until it is completely dry before use. Using the unit while there is condensation can cause malfunctions.

Maintenance

- When cleaning the unit, use a dry, soft cloth. Using chemicals such as benzine or thinner, cleaning agents, or chemical scrubbing cloths can cause discoloration or deformation.

About disposal

- Be sure to discard used batteries in accordance with local regulations.

Information

About the name plate of the unit

The model number, serial number, power requirements, etc., may be found on or near the name plate, which is at the bottom of the unit.

You should note this serial number in the space provided below and retain this manual as a permanent record of your purchase to aid identification in the event of theft.

Model No.

Serial No.

(bottom_en_01)

About content in this manual

- This manual uses the following signal words for the important information:

 **WARNING**

This content indicates “risk of serious injury or death.”

 **CAUTION**

This content indicates “risk of injury.”

NOTICE

Indicates points that you must observe in order to prevent product failure, damage or malfunction and data loss, as well as to protect the environment.

NOTE

Indicates notes on instructions, restrictions on functions, and additional information that may be helpful.

- The illustrations and screens in this manual are for instructional purposes only.
- The company names and product names in this manual are the trademarks or registered trademarks of their respective companies.
- Software may be revised and updated without prior notice.

LASER SAFETY

This unit employs a laser. Due to possible eye injury, only a qualified service person should remove the cover or attempt to service this device.

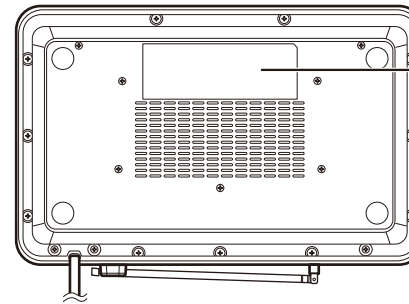
DANGER

This unit emits visible laser radiation when open. Avoid direct eye exposure to beam. When this unit is plugged into the wall outlet, do not place your eyes close to the opening of the disc tray and other openings to look into inside.

CAUTION

Use of controls or adjustments or performance of procedures other than those specified herein may result in hazardous radiation exposure.

The laser component in this product is capable of emitting radiation exceeding the limit for Class 1.



CLASS 1 LASER PRODUCT
LASER KLASSE 1 PRODUKT
LUOKAN 1 LASERLAITE
KLASS 1 LASER APPARAT
PRODUIT LASER DE CLASSE 1

Wireless communication functions [U.K. and Europe models]

Bluetooth

Radio Frequency : 2401 to 2481 MHz
Maximum Output Power (EIRP): 7.12 dBm

Wi-Fi (2.4 GHz)

Radio Frequency: 2402 to 2482 MHz
Maximum Output Power (EIRP): 19.83 dBm

Wi-Fi (5 GHz)

Radio Frequency, Maximum Output Power (EIRP):
5170 to 5250 MHz, 21.60 dBm
5250 to 5330 MHz, 21.84 dBm
5490 to 5710 MHz, 24.13 dBm
5735 to 5835 MHz, 13.53 dBm

- Wireless devices transmitting over a 5 GHz frequency band can only be used indoors. Use of such devices outdoors is prohibited by law.

Qi

Radio Frequency: 127.5 to 127.9 kHz
Output power: 41.61 dBμA/m at 3m

Information for users on collection and disposal of old equipment and used batteries:



These symbols on the products, packaging, and/or accompanying documents mean that used electrical and electronic products and batteries should not be mixed with general household waste. For proper treatment, recovery and recycling of old products and used batteries, please take them to applicable collection points, in accordance with your national legislation.



By disposing of these products and batteries correctly, you will help to save valuable resources and prevent any potential negative effects on human health and the environment which could otherwise arise from inappropriate waste handling.



For more information about collection and recycling of old products and batteries, please contact your local municipality, your waste disposal service or the point of sale where you purchased the items.

For business users in the European Union:

If you wish to discard electrical and electronic equipment, please contact your dealer or supplier for further information.



Information on Disposal in other Countries outside the European Union:

These symbols are only valid in the European Union. If you wish to discard these items, please contact your local authorities or dealer and ask for the correct method of disposal.

Cd

Note for the battery symbol (bottom two symbol examples):

This symbol might be used in combination with a chemical symbol. In this case it complies with the requirement set by the EU Battery Directive for the chemical involved.

(weee_battery_eu_en_02)

PRÉCAUTIONS D'USAGE

LISEZ ATTENTIVEMENT AVANT DE PROCÉDER À TOUTE UTILISATION. VEILLEZ À SUIVRE CES INSTRUCTIONS.

Les mises en garde énumérées ci-dessous sont destinées à prévenir les risques pour l'utilisateur et les tiers, à éviter les dommages matériels et à aider l'utilisateur à se servir de l'appareil correctement et en toute sécurité. Assurez-vous de suivre ces instructions.

Après avoir consulté ce manuel, conservez-le dans un endroit sûr de façon à pouvoir vous y reporter facilement.

- Veillez à faire inspecter ou réparer l'appareil par le revendeur auprès duquel vous l'avez acheté ou par un technicien Yamaha qualifié.
- Yamaha ne peut être tenu responsable des dommages corporels et matériels causés par une mauvaise manipulation de l'instrument ou par des modifications apportées à l'appareil.
- Ce produit est conçu pour un usage courant dans les résidences standard. Ne l'utilisez pas pour des applications nécessitant une haute fiabilité, telles que la gestion des gestes essentiels à la vie, des soins de santé ou des biens de grande valeur.



AVERTISSEMENT

Ce contenu indique « un risque de blessures graves ou de mort ».

En cas d'anomalie

- Si l'un des problèmes suivants se produit, coupez immédiatement l'alimentation et retirez la fiche d'alimentation.
 - Le cordon/la fiche d'alimentation est endommagé(e).
 - Une odeur inhabituelle, un bruit bizarre ou de la fumée se dégage de l'appareil.
 - Un corps étranger ou de l'eau a pénétré à l'intérieur de l'appareil.
 - Une brusque perte de son est survenue durant l'utilisation de l'appareil.
 - L'appareil est fissuré ou endommagé.

En continuant d'utiliser l'appareil dans ces conditions, vous risquez de provoquer des chocs électriques, un incendie ou des dysfonctionnements. Faites immédiatement inspecter ou réparer l'appareil par le revendeur auprès duquel vous l'avez acheté ou par un technicien Yamaha qualifié.

Alimentation

- Ne faites rien qui pourrait endommager le cordon d'alimentation.
 - Ne le placez pas à proximité d'un radiateur.
 - Évitez de le plier excessivement ou de le modifier.
 - Évitez de l'érafler.
 - Ne placez pas dessus d'objets lourds.

L'utilisation du cordon d'alimentation en ayant le conducteur du cordon exposé pourrait provoquer des chocs électriques ou un incendie.

- En cas de risque d'impact de foudre à proximité de l'appareil, évitez de toucher la fiche d'alimentation. Le non-respect de cette consigne peut entraîner des chocs électriques.
- Assurez-vous d'utiliser l'appareil avec la tension d'alimentation appropriée, telle qu'imprimée sur l'appareil. L'absence de raccordement à une prise secteur appropriée pourrait provoquer un incendie, des chocs électriques ou des dysfonctionnements.
- Vérifiez périodiquement l'état de la prise électrique, dépoussiérez-la et nettoyez-la en prenant soin de retirer toutes les impuretés qui pourraient s'y accumuler. Le non-respect de cette consigne peut entraîner un incendie ou des chocs électriques.
- Lors de l'installation de l'appareil, assurez-vous que la prise secteur que vous utilisez est facilement accessible. En cas de problème ou de dysfonctionnement, désactivez immédiatement l'interrupteur d'alimentation et retirez la fiche de la prise secteur. Même lorsque l'interrupteur d'alimentation est en position désactivée, l'appareil n'est pas déconnecté de la source d'électricité tant que le cordon d'alimentation reste branché à la prise murale.
- Si vous prévoyez de ne pas utiliser l'appareil pendant une longue période de temps, assurez-vous de retirer la fiche d'alimentation de la prise secteur. Le non-respect de cette consigne peut entraîner un incendie ou des dysfonctionnements.

Démontage interdit

- Ne tentez pas de démonter ou de modifier l'appareil. Le non-respect de cette procédure risque d'entraîner un incendie, des chocs électriques, des blessures ou des dysfonctionnements.

Avertissement relatif à la présence d'eau

- N'exposez pas l'appareil à la pluie, ne l'utilisez pas près d'une source d'eau ou dans un milieu humide et ne déposez pas dessus des récipients (tels que des vases, des bouteilles ou des verres) contenant des liquides qui risqueraient de s'infiltrer par les ouvertures ou de dégouliner. Toute infiltration de liquide tel que de l'eau à l'intérieur de l'appareil risque de provoquer un incendie, des chocs électriques ou des dysfonctionnements.
- N'essayez jamais de retirer ou d'insérer une fiche électrique avec les mains mouillées. Ne manipulez pas l'appareil en ayant les mains mouillées. Le non-respect de cette procédure risque d'entraîner des chocs électriques ou des dysfonctionnements.

Prévention contre les incendies

- Ne placez pas d'objets brûlants ou de flammes nues à proximité de l'appareil, au risque de provoquer un incendie.

Précautions d'utilisation

- Veillez à ne pas faire tomber l'appareil et à ne pas lui appliquer une pression excessive. Le non-respect de cette procédure risque d'entraîner des chocs électriques, un incendie ou des dysfonctionnements.
- Ne placez pas d'objets métalliques, comme des courroies avec des composants en métal, près de l'icône Qi. Le non-respect de cette précaution peut entraîner un incendie, des brûlures ou d'autres blessures.

Utilisation des piles

- **N'AVALEZ PAS LES PILES SOUS PEINE DE BRÛLURE CHIMIQUE.**
La télécommande fournie avec ce produit contient une pile bouton. Si la pile bouton est avalée, elle peut provoquer de graves brûlures internes en seulement 2 heures et entraîner la mort.
Tenez les piles neuves et usées hors de portée des enfants. Si le compartiment des piles ne se ferme pas complètement, cessez d'utiliser le produit et tenez-le hors de portée des enfants. Si vous pensez que des piles ont pu être avalées ou placées à l'intérieur du corps humain, consultez immédiatement un médecin.
- Ne démontez pas la pile. Tout contact du contenu des piles avec les mains ou les yeux peut entraîner la cécité ou provoquer des brûlures chimiques. Cela pourrait causer l'explosion des piles et provoquer un incendie ou des blessures.
- Ne jetez pas la pile au feu. Évitez d'exposer la pile à des conditions comme une pression d'air extrêmement faible, à un froid ou à une chaleur extrême (comme les rayons directs du soleil ou un feu) ou à une poussière ou une humidité excessive. Cela pourrait causer l'explosion des piles et provoquer un incendie ou des blessures.
- Ne tentez pas de recharger une pile non rechargeable. La charge risque de provoquer une explosion ou une fuite de la pile, ce qui pourrait causer la cécité, des brûlures chimiques ou des blessures.
- En cas de fuite du liquide des piles, évitez tout contact avec ce liquide. En cas de contact avec les yeux, la bouche ou la peau, rincez-vous immédiatement à l'eau claire et consultez un médecin. Le liquide présent dans les piles est corrosif et peut provoquer la cécité ou des brûlures chimiques.

Appareil sans fil

- N'utilisez pas cet appareil à proximité d'appareils médicaux ou au sein d'installations médicales. Les ondes radio transmises par l'appareil peuvent affecter les appareils électromédicaux.
- N'utilisez pas cet appareil à moins de 15 cm des personnes disposant d'un stimulateur cardiaque ou d'un défibrillateur. Les ondes radio émanant de cet appareil peuvent affecter le fonctionnement des équipements électromédicaux tels que les stimulateurs cardiaques ou les défibrillateurs cardiaques.

Laser

- Ne regardez pas directement la source de lumière laser. S'il n'y a rien pour le bloquer, cet appareil émet un rayon laser visible. Évitez de regarder directement le laser. La lumière du laser en pénétrant dans vos yeux peut entraîner une déficience visuelle. Lorsque la fiche est insérée dans la prise secteur, ne placez pas vos yeux près des ouvertures du tiroir de disque ou d'autres ouvertures, et n'essayez pas de regarder à l'intérieur de l'appareil.



ATTENTION

Ce contenu indique « un risque de blessures ».

Alimentation

- N'utilisez pas une prise secteur dans laquelle la fiche d'alimentation ne peut pas s'insérer fermement. Le non-respect de cette consigne peut entraîner un incendie, des chocs électriques ou des brûlures.
- Lorsque vous débranchez la fiche d'alimentation, tenez toujours la fiche elle-même, pas le cordon. Si vous tirez sur le cordon, vous risquez de l'endommager et de provoquer des chocs électriques ou un incendie.
- Introduisez complètement la fiche d'alimentation dans la prise secteur. L'utilisation de l'appareil alors que la fiche d'alimentation n'est pas complètement insérée dans la prise peut entraîner une accumulation de poussière sur la fiche et provoquer un incendie ou des brûlures.

Installation

- Ne placez pas l'appareil dans une position instable afin d'éviter qu'il ne tombe ou se renverse accidentellement et ne provoque des blessures.
 - Lors de l'installation de cet appareil, n'obstruez pas les orifices prévus pour la dissipation de la chaleur.
 - Évitez de couvrir l'appareil avec un tissu.
 - N'installez pas l'appareil sur une moquette ou un tapis.
 - Évitez d'obstruer les orifices de ventilation (fentes de refroidissement) de l'appareil.
 - N'installez pas l'appareil d'une autre façon que celle indiquée.
 - N'utilisez pas l'appareil dans un lieu clos, mal aéré.
- Le non-respect de ce qui précède risque d'entraîner une rétention de chaleur à l'intérieur de l'appareil, susceptible de provoquer un incendie ou des dysfonctionnements. Veillez à laisser suffisamment d'espace libre autour de l'appareil : au moins 15 cm à la surface, 10 cm sur les côtés et 10 cm à l'arrière.
- N'installez pas l'appareil dans des endroits où il pourrait entrer en contact avec des gaz corrosifs ou de l'air à haute teneur en sel ou être exposé à des fumées ou à des vapeurs excessives. Cela pourrait provoquer des dysfonctionnements.
 - Évitez d'être à proximité de l'appareil lors de la survenue d'une catastrophe naturelle telle qu'un tremblement de terre. Compte tenu du risque de renversement ou de chute de l'appareil pouvant entraîner des blessures, pensez à vous éloigner rapidement de l'appareil et à vous réfugier dans un lieu sûr.
 - Avant de déplacer l'appareil, veillez à désactiver l'interrupteur d'alimentation et à déconnecter tous les câbles de connexion. Le non-respect de cette consigne peut entraîner l'endommagement des câbles ou provoquer le trébuchement et la chute de l'utilisateur, s'il s'agit de vous-même ou d'autres personnes.

Perte de capacités auditives

- N'utilisez pas l'appareil de manière prolongée à un niveau sonore trop élevé ou inconfortable pour l'oreille, au risque d'endommager irrémédiablement votre ouïe. Si vous

constatez une baisse d'acuité auditive ou que vous entendez des sifflements, consultez un médecin.

- Avant de raccorder l'unité à d'autres appareils, mettez tous les appareils concernés hors tension. Et, avant de mettre tous les appareils sous/hors tension, vérifiez que tous les niveaux de volume sont réglés sur la position minimale. Le non-respect de ces mesures peut provoquer une perte d'acuité auditive, entraîner un risque d'électrocution ou endommager l'appareil.
- Lorsque vous mettez le système audio sous tension, allumez toujours l'appareil en DERNIER pour éviter d'endommager votre ouïe et les haut-parleurs. Lors de la mise hors tension, vous devez éteindre l'appareil en PREMIER pour la même raison. Le non-respect des consignes précédentes risque d'entraîner une déficience auditive ou d'endommager le casque.

Entretien

- Retirez la fiche d'alimentation de la prise secteur avant de procéder au nettoyage de l'appareil. Le non-respect de cette consigne peut entraîner des chocs électriques.

Précautions d'utilisation

- N'insérez pas de corps étrangers comme du métal ou du papier dans les ouvertures de cet appareil. Le non-respect de cette procédure risque d'entraîner un incendie, des chocs électriques ou des dysfonctionnements.
 - Assurez-vous de conserver les petits composants hors de portée des jeunes enfants, qui pourraient les avaler accidentellement.
 - Évitez de faire ce qui suit :
 - Ne vous asseyez pas sur le produit et ne le piétinez pas.
 - Ne placez pas d'objets lourds sur le produit.
 - Ne disposez pas le produit en pile.
 - N'appliquez pas de force excessive sur les boutons, les commutateurs, les bornes d'entrée/sortie, etc.
- Le non-respect de cette consigne peut entraîner des dommages corporels ou matériels.
- Évitez de débrancher les câbles connectés afin de ne pas causer de blessures ou de dommages matériels qui pourraient résulter de la chute de l'appareil.

Utilisation des piles

- N'utilisez pas de piles autres que les piles spécifiées.
Cela pourrait provoquer un incendie ou des brûlures, ou entraîner des fuites de liquide susceptibles de provoquer une inflammation de la peau.
- Gardez les piles hors de portée des enfants. Un enfant pourrait accidentellement avaler une batterie. Le non-respect de cette consigne peut également provoquer une inflammation due aux fuites de liquide de la batterie.
- Ne conservez pas les piles dans une poche ou un sac contenant des pièces en métal et évitez de transporter ou de stocker des piles avec des éléments métalliques. Cela pourrait court-circuiter les piles, les faire exploser ou déverser leur liquide et provoquer un incendie ou des blessures.
- Veillez à respecter la polarité (+/-) lors de la mise en place des piles. Le non-respect de ces

instructions risque de provoquer un incendie, des brûlures ou l'apparition de flammes en raison d'une fuite du liquide des piles.

- Lorsque les piles sont déchargées ou que vous n'utilisez pas l'appareil pendant une longue période, retirez les piles de la télécommande pour éviter toute fuite du liquide des piles.
- Avant de procéder au stockage ou à la mise au rebut des piles, veillez à isoler la zone des bornes en appliquant dessus un ruban adhésif ou tout autre type de protection. Si vous mélangez les piles à d'autres piles ou à des objets métalliques, vous risquez de provoquer un incendie, des brûlures ou l'apparition de flammes dues à la fuite du liquide des piles.

Avis

Indique les points que vous devez respecter afin d'éviter toute défaillance, dommage ou dysfonctionnement du produit et toute perte de données.

Alimentation

- Si vous prévoyez de ne pas utiliser l'appareil pendant une longue période de temps, assurez-vous de retirer le cordon d'alimentation de la prise secteur. Même si cet appareil est éteint par (⏻) (veille/alimentation), un courant de faible intensité continue de circuler.

Installation

- N'utilisez pas l'appareil dans un emplacement exposé à la lumière directe du soleil, à une température très élevée (à proximité d'un appareil de chauffage) ou très basse, à un dépôt de poussière excessif ou à de fortes vibrations. Le non-respect de cette consigne peut entraîner la déformation du panneau de l'appareil, le dysfonctionnement de ses composants internes ou l'instabilité de ses opérations.
- Si vous utilisez une fonction sans fil, évitez d'installer cet appareil à proximité de parois métalliques ou de bureaux en métal, de fours à micro-ondes ou d'autres dispositifs de réseau sans fil. Les obstructions pourraient raccourcir la distance de transmission.
- Ne placez pas d'objets magnétiquement sensibles (montre, carte de crédit ou débit, etc.) sur l'appareil.

Connexions

- Ne connectez pas ce produit directement au Wi-Fi public et/ou à Internet. Connectez ce produit à Internet uniquement via un routeur protégé par un mot de passe fort. Consultez le fabricant de votre routeur pour obtenir plus d'informations sur les meilleures pratiques de sécurité.
- En cas de connexion d'unités externes, assurez-vous de lire attentivement le mode d'emploi de l'appareil concerné et reliez-le conformément aux instructions fournies. La non-conformité aux instructions de manipulation peut provoquer le dysfonctionnement de l'appareil.

Manipulation

- Si la température ambiante change radicalement (comme pendant le transport de l'appareil ou dans des conditions de surchauffe ou de refroidissement rapides) et que de la condensation se forme dans l'appareil, laissez-le hors tension pendant plusieurs heures jusqu'à ce qu'il soit complètement sec avant de le réutiliser. L'utilisation de l'appareil en cas de formation de condensation peut entraîner son dysfonctionnement.

Entretien

- Utilisez un chiffon doux et sec pour le nettoyage de l'appareil. L'utilisation de produits chimiques tels que de la benzène ou du diluant, de produits d'entretien ou de chiffons de lavage chimique peut causer la décoloration ou la déformation de l'appareil.

À propos de la mise au rebut

- Veuillez à mettre au rebut les piles usagées selon la réglementation locale en vigueur.

Informations

À propos de la plaque signalétique de l'appareil

Le numéro de modèle, le numéro de série, l'alimentation requise, etc., se trouvent sur ou près de la plaque signalétique du produit, située dans la partie inférieure de l'unité. Notez le numéro de série dans l'espace fourni ci-dessous et conservez ce manuel en tant que preuve permanente de votre achat afin de faciliter l'identification du produit en cas de vol.

N° de modèle

N° de série

(bottom_fr_01)

À propos du contenu de ce manuel

- Ce manuel utilise les mots de signalisation suivants pour les informations importantes :

AVERTISSEMENT

Ce contenu indique « un risque de blessures graves ou de mort ».

ATTENTION

Ce contenu indique « un risque de blessures ».

AVIS

Indique les points que vous devez respecter afin d'éviter toute défaillance, dommage ou dysfonctionnement du produit et toute perte de données, et afin de protéger l'environnement.

NOTE

Indique les remarques sur les instructions, les restrictions sur les fonctions et les informations supplémentaires qui peuvent être utiles.

- Les illustrations et les captures d'écran figurant dans ce manuel servent uniquement à expliciter les instructions.
- Les noms de société et les noms de produit mentionnés dans ce manuel sont des marques commerciales ou des marques déposées de leurs sociétés respectives.
- Le logiciel peut être révisé et mis à jour sans préavis.

SÉCURITÉ LASER

L'appareil utilise un laser. En raison des risques de blessure des yeux, le retrait du couvercle ou les réparations de l'appareil devront être confiés exclusivement à un technicien d'entretien qualifié.

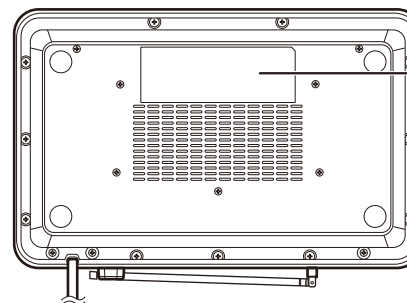
DANGER

Risque d'exposition au laser en cas d'ouverture. Éviter l'exposition directe des yeux au faisceau. Lorsque cet appareil est branché à la prise de courant, ne pas approcher les yeux de l'ouverture du plateau changeur et des autres ouvertures pour regarder à l'intérieur.

AVERTISSEMENT

L'utilisation de commandes et l'emploi de réglages ou de méthodes autres que ceux décrits cidessous, peuvent entraîner une exposition à un rayonnement dangereux.

Le laser de cet appareil peut émettre un rayonnement dépassant les limites de la classe 1.



CLASS 1 LASER PRODUCT
LASER KLASSE 1 PRODUKT
LUOKAN 1 LASERLAITE
KLASS 1 LASER APPARAT
PRODUIT LASER DE CLASSE 1

Fonctions de communication sans fil [Modèles pour le Royaume-Uni et l'Europe]

Bluetooth

Fréquence radio : 2401 à 2481 MHz
Puissance de sortie maximale (PIRE) : 7,12 dBm

Wi-Fi (2,4 GHz)

Fréquence radio : 2402 à 2482 MHz
Puissance de sortie maximale (PIRE) : 19,83 dBm

Wi-Fi (5 GHz)

Fréquence radio, puissance de sortie maximale (PIRE) :
5170 à 5250 MHz, 21,60 dBm
5250 à 5330 MHz, 21,84 dBm
5490 à 5710 MHz, 24,13 dBm
5735 à 5835 MHz, 13,53 dBm

- Les appareils sans fil transmettant sur une bande de fréquence de 5 GHz ne peuvent être utilisés qu'à l'intérieur. L'utilisation de tels appareils à l'extérieur est interdite par la loi.

Qi

Fréquence radio : 127,5 à 127,9 kHz
Alimentation de sortie : 41,61 dB μ A/m à 3 m

Informations concernant la collecte et le traitement des piles usagées et des déchets d'équipements électriques et électroniques



Les symboles sur les produits, l'emballage et/ou les documents joints signifient que les produits électriques ou électroniques usagés ainsi que les piles usagées ne doivent pas être mélangés avec les déchets domestiques habituels.

Pour un traitement, une récupération et un recyclage appropriés des déchets d'équipements électriques et électroniques et des piles usagées, veuillez les déposer aux points de collecte prévus à cet effet, conformément à la réglementation nationale.



En vous débarrassant correctement des déchets d'équipements électriques et électroniques et des piles usagées, vous contribuerez à la sauvegarde de précieuses ressources et à la prévention de potentiels effets négatifs sur la santé humaine qui pourraient advenir lors d'un traitement inapproprié des déchets.



Pour plus d'informations à propos de la collecte et du recyclage des déchets d'équipements électriques et électroniques et des piles usagées, veuillez contacter votre municipalité, votre service de traitement des déchets ou le point de vente où vous avez acheté les produits.



Pour les professionnels dans l'Union européenne :

Si vous souhaitez vous débarrasser des déchets d'équipements électriques et électroniques, veuillez contacter votre vendeur ou fournisseur pour plus d'informations.

Cd

Informations sur la mise au rebut dans d'autres pays en dehors de l'Union européenne :

Ces symboles sont seulement valables dans l'Union européenne. Si vous souhaitez vous débarrasser de déchets d'équipements électriques et électroniques ou de piles usagées, veuillez contacter les autorités locales ou votre fournisseur et demander la méthode de traitement appropriée.

Note pour le symbole « pile » (deux exemples de symbole ci-dessous) :

Ce symbole peut être utilisé en combinaison avec un symbole chimique. Dans ce cas, il respecte les exigences établies par la directive européenne relative aux piles pour le produit chimique en question.

(weee_battery_eu_fr_02)

VORSICHTSMAßNAHMEN

BITTE VOR DER NUTZUNG SORGFÄLTIG LESEN BEFOLGEN SIE DIESE ANWEISUNGEN IN JEDEM FALL.

Die unten aufgeführten Vorsichtsmaßnahmen dienen dazu, dem Verletzungsrisiko für den Anwender und Andere vorzubeugen, sowie Beschädigung eigenen oder fremden Eigentums zu verhindern und dem Anwender den korrekten und sicheren Gebrauch des Produkts zu ermöglichen. Befolgen Sie diese Anweisungen in jedem Fall.

Bewahren Sie das Handbuch nach der Lektüre an einem sicheren Ort auf, um jederzeit darin nachschlagen zu können.

- Lassen Sie das Produkt bei dem Händler, bei dem Sie das Produkt erworben haben oder durch qualifiziertes Fachpersonal bei Yamaha überprüfen oder reparieren.
- Yamaha kann nicht für Verletzungen von Personen oder für Schäden an den Produkten verantwortlich gemacht werden, die durch falsche Verwendung des (oder durch Veränderungen am) Gerät(s) hervorgerufen wurden.
- Dieses Produkt ist für gewöhnliche Wohnungen vorgesehen. Verwenden Sie es nicht für Anwendungen, die eine hohe Zuverlässigkeit erfordern, wie Lebenserhaltung, Gesundheit & Pflege oder wertvolle Vermögenswerte.



WARNUNG

Dieser Inhalt weist auf „unmittelbares Risiko schwerer Verletzungen oder Todesgefahr“ hin.

Ungewöhnliche Vorkommnisse

- Wenn eines der folgenden ungewöhnlichen Dinge auftritt, schalten Sie die Komponente sofort aus, und ziehen Sie den Netzstecker aus der Steckdose aus dem Anschluss heraus.
 - Das Netzkabel bzw. der Netzstecker ist beschädigt.
 - Die Einheit entwickelt einen ungewöhnlichen Geruch, ein ungewöhnliches Geräusch oder Rauch.
 - Ein Fremdkörper oder Wasser ist in das Innere der Einheit gelangt.
 - Während der Verwendung kommt es zu einem Tonausfall.

- Es sind Risse oder andere Schäden an der Einheit sichtbar.
Durch fortgesetzten Gebrauch könnten ein elektrischer Schlag, Brand oder Fehlfunktionen verursacht werden. Lassen Sie die Einheit unverzüglich bei dem Händler, bei dem Sie sie erworben haben, überprüfen oder reparieren, oder wenden Sie sich an qualifiziertes Fachpersonal bei Yamaha.

Stromversorgung

- Unternehmen Sie nichts, wodurch das Netzkabel beschädigt werden könnte.
 - Verlegen Sie es nicht in Nähe einer Heizung.
 - Verbiegen oder verändern Sie die Form nicht zu sehr.
 - Verletzen/Beschädigen Sie das Netzkabel nicht.
 - Verlegen Sie es nicht unter einem schweren Gegenstand.
- Wenn Sie das Netzkabel verwenden, während die Adern der Leitungen blank liegen, kann dies zu einem elektrischen Schlag oder Bränden führen.
- Berühren Sie bei Blitzgefahr weder den Netzstecker noch das Netzkabel. Nichtbeachtung dieser Anweisung kann dazu führen, dass Sie einen elektrischen Schlag erleiden.
- Verwenden Sie diese Einheit ausschließlich mit der darauf angegebenen Netzspannung. Ein fehlerhafter Anschluss an einer Netzsteckdose kann zu Bränden, elektrischem Schlag oder Fehlfunktionen führen.
- Überprüfen Sie regelmäßig den Zustand des Netzsteckers, und entfernen Sie jeglichen Schmutz oder Staub, der sich darauf angesammelt hat. Nichtbeachtung dieser Anweisung kann zu Bränden oder einem elektrischen Schlag führen.
- Achten Sie beim Aufstellen der Einheit darauf, dass die verwendete Netzsteckdose leicht erreichbar ist. Sollten Probleme auftreten oder es zu einer Fehlfunktion kommen, schalten Sie die Komponente sofort aus und ziehen Sie den Stecker aus der Netzsteckdose. Auch dann, wenn der Netzschalter ausgeschaltet ist, ist die Komponente nicht von der Stromversorgung getrennt, solange das Netzkabel an der Steckdose angeschlossen ist.
- Wird die Komponente voraussichtlich längere Zeit nicht benutzt, sollten Sie unbedingt das Netzkabel aus der Netzsteckdose ziehen. Nichtbeachtung dieser Anweisung kann zu Bränden oder Fehlfunktionen führen.

Nicht auseinanderbauen

- Diese Einheit nicht auseinanderbauen oder modifizieren. Die Nichtbeachtung dieser Anweisung kann zu Bränden, elektrischem Schlag, Verletzungen oder Fehlfunktionen führen.

Gefahr durch Wasser

- Achten Sie darauf, dass die Einheit nicht durch Regen nass wird, verwenden Sie es nicht in der Nähe von Wasser oder unter feuchten oder nassen Umgebungsbedingungen und stellen Sie auch keine Behälter (wie z. B. Vasen, Flaschen oder Gläser) mit Flüssigkeiten darauf, die herausschwappen und in Öffnungen hineinfließen könnten, oder an Orten, an denen Wasser hineintropfen könnte. Eine Flüssigkeit wie Wasser, die in die Einheit gelangt, kann einen Brand, einen elektrischen Schlag oder Fehlfunktionen auslösen.
- Mit nassen Händen sollten Sie niemals einen Netzstecker in eine Steckdose stecken oder herausziehen. Berühren Sie dieses Gerät niemals mit feuchten Händen. Die Nichtbeachtung dieser Anweisung kann zu elektrischem Schlag oder Fehlfunktionen führen.

Brandschutz

- Platzieren Sie keinerlei brennende Gegenstände oder offenes Feuer in Nähe der Einheit, da dies einen Brand verursachen kann.

Vorsichtsmaßnahmen während der Benutzung

- Achten Sie darauf, diese Einheit nicht fallen zu lassen oder starken Stößen auszusetzen. Die Nichtbeachtung dieser Anweisung kann zu elektrischem Schlag, Bränden, Verletzungen oder Fehlfunktionen führen.
- Bringen Sie keine metallischen Gegenstände wie Bänder mit Metallkomponenten in die Nähe des Qi-Symbols. Nichtbeachtung dieser Vorsichtsmaßregel kann einen Brand, Verbrennungen oder eine andere Verletzung zur Folge haben.

Verwenden von Batterien

- **BATTERIE NICHT VERSCHLUCKEN! GEFAHR CHEMISCHER VERBRENNUNGEN.** Die mit diesem Produkt gelieferte Fernbedienung enthält eine Knopfzelle. Ein Verschlucken der Knopfzelle kann in nur 2 Stunden schwere innere Verbrennungen verursachen und zum Tod führen.
Bewahren Sie neue und gebrauchte Batterien für Kinder unzugänglich auf. Sollte das Batteriefach sich nicht fest schließen lassen, stellen Sie den Betrieb des Produkts ein und bewahren es für Kinder unzugänglich auf.
Wenn der Verdacht besteht, dass eine Batterie verschluckt wurde oder anderweitig in den Körper gelangt ist, konsultieren Sie unverzüglich einen Arzt.
- Nehmen Sie den Akku nicht auseinander. Wenn der Inhalt des Akkus auf Ihre Hände oder in Ihre Augen gelangt, kann dies zu Blindheit oder chemischen Verbrennungen führen. Dies kann dazu führen, dass die Batterie platzt und einen Brand oder Verletzungen verursacht.
- Werfen Sie die Batterien/Akkus zur Entsorgung nicht ins Feuer. Setzen Sie die Batterie nicht extrem niedrigem Luftdruck, Kälte oder Hitze (z. B. in direktem Sonnenlicht oder Feuer) oder übermäßigem Staub oder Feuchtigkeit aus. Dies kann dazu führen, dass die Batterie platzt und einen Brand oder Verletzungen verursacht.
- Versuchen Sie niemals Batterien aufzuladen, die nicht zum mehrfachen Gebrauch und Nachladen vorgesehen sind. Durch Aufladen kann die Batterie platzen oder auslaufen, was Blindheit, chemische Verbrennungen oder Verletzungen zur Folge haben könnte.
- Wenn die Batterien leak sind, vermeiden Sie jede Berührung mit der ausgetretenen Flüssigkeit. Wenn die Batterieflüssigkeit mit Augen, Mund oder Haut in Kontakt kommt, bitte sofort mit Wasser auswaschen und einen Arzt aufsuchen. Batterieflüssigkeit ist korrosiv und kann Sehverlust oder chemische Verbrennungen bewirken.

Kabellose Komponenten

- Verwenden Sie dieses Gerät nicht in der Nähe von medizinischen Geräten oder in medizinischen Einrichtungen. Von dieser Einheit ausgestrahlte Funkwellen können sich auf medizinisch-elektrische Geräte auswirken.
- Verwenden Sie dieses Gerät nicht in einer Entfernung von weniger als 15 cm zu Personen mit implantiertem Herzschrittmacher oder Defibrillator. Von dieser Einheit ausgehende Funkwellen können Auswirkungen auf medizinisch-elektrische Geräte wie einen implantierten Herzschrittmacher oder Defibrillator haben.

Laser

- Blicken Sie nicht in die Laserquelle. Ohne Abschirmung strahlt dieses Gerät einen sichtbaren Laser aus. Blicken Sie nicht direkt in den Laserstrahl. In die Augen eindringendes Laserlicht kann Schäden an den Augen verursachen. Bringen Sie Ihre Augen beim Anschließen des Steckers an eine Netzsteckdose nicht in der Nähe der Öffnungen des Disc-Schachts oder anderer Öffnungen und versuchen Sie nicht, in das Geräteinnere zu blicken.



Der zugehörige Inhalt weist auf „ein Risiko schwerer Verletzungen“ hin.

Stromversorgung

- Verwenden Sie keine Netzsteckdose, in der der Netzstecker keinen festen Halt hat. Nichtbeachtung dieser Anweisung kann zu Bränden elektrischem Schlag oder Verbrennungen führen.
- Wenn Sie den Netzstecker aus der Netzsteckdose ziehen, fassen Sie stets den Stecker selbst und ziehen niemals am Kabel. Durch Ziehen am Netzkabel kann dieses beschädigt werden und einen elektrischen Schlag oder einen Brand auslösen.
- Stecken Sie den Netzstecker vollständig in die Netzsteckdose hinein. Durch Gebrauch der Einheit bei nicht vollständig eingestecktem Stecker kann sich Staub auf dem Stecker ansammeln, der zu Bränden oder Verbrennungen führen kann.

Aufstellung

- Stellen Sie die Einheit nicht an einer instabilen Position ab, wo sie versehentlich herunterfallen oder umstürzen und Verletzungen verursachen könnte.
- Achten Sie bei der Installation dieser Einheit darauf, dass ihre Wärmeabführung nicht behindert wird.
 - Bedecken Sie sie nicht mit einem Tuch.
 - Stellen Sie sie nicht auf einen Teppich oder eine Decke.
 - Blockieren Sie nicht die Lüftungsöffnungen dieser Einheit (Kühlschlitze).
 - Installieren Sie die Einheit nicht auf andere Weise als angegeben.
 - Verwenden Sie das Gerät nicht an einer beengten und schlecht belüfteten Stelle.Nichtbeachtung der obigen Anweisung kann dazu führen, dass sich in der Einheit ein Hitzestau bildet, wodurch ein Brand oder Fehlfunktionen ausgelöst werden könnten. Stellen Sie sicher, dass um die Einheit herum ausreichend Freiraum von mindestens 10 cm oben, 10 cm an den Seiten und 10 cm hinten vorhanden ist.
- Stellen Sie die Einheit nicht an Orten auf, an dem sie in Kontakt mit korrosiven Gasen oder salzhaltiger Luft gelangen könnte, oder an Orten mit starker Rauch- oder Dampfbildung. Dadurch kann es zu Fehlfunktionen kommen.
- Vermeiden Sie in Gefahrensituationen wie z. B. einem Erdbeben, sich in der Nähe der Einheit aufzuhalten. Da die Einheit umkippen oder herunterfallen und Verletzungen

hervorrufen könnte, entfernen Sie sich schnell von der Einheit und suchen Sie einen sicheren Ort auf.

- Achten Sie darauf, den Netzschalter der Einheit auszuschalten und alle Anschlusskabel von der Einheit zu trennen. Bei Nichtbeachtung können die Kabel beschädigt werden oder dazu führen, dass Sie oder Andere darüber stolpern und fallen könnten.

Hörminderung

- Benutzen Sie die Einheit nicht über längere Zeit mit zu hohen oder unangenehmen Lautstärken. Hierdurch können bleibende Hörschäden entstehen. Sollten Sie einen Hörverlust erleiden oder ein Klingeln in den Ohren wahrnehmen, suchen Sie einen Arzt auf.
- Ehe Sie die Einheit an andere elektronische Komponenten anschließen, schalten Sie die Stromversorgung aller Komponenten aus. Bevor Sie die Komponenten ein- oder ausschalten, achten Sie darauf, dass die Lautstärkeregler an allen Komponenten auf Minimum eingestellt sind. Nichtbeachtung kann eine Hörminderung, einen elektrischen Schlag oder Geräteschäden zur Folge haben.
- Beim Einschalten Ihres Audiosystems sollten Sie die Einheit immer ALS LETZTES einschalten, um Hörminderung und Schäden an den Lautsprechern zu vermeiden. Beim Ausschalten sollte die Einheit aus demselben Grund ZUERST ausgeschaltet werden. Die Nichtbeachtung der obigen Anweisung kann Hörminderung oder eine Beschädigung der Lautsprecher verursachen.

Wartung

- Ziehen Sie den Netzstecker aus der Steckdose, bevor Sie die Einheit reinigen. Nichtbeachtung dieser Anweisung kann dazu führen, dass Sie einen elektrischen Schlag erleiden.

Vorsichtsmaßnahmen während der Benutzung

- Stecken Sie keine Fremdgegenstände wie Metall oder Papier in die Öffnungen dieser Einheit. Die Nichtbeachtung dieser Anweisung kann zu elektrischem Schlag, Bränden oder Fehlfunktionen führen.
- Halten Sie kleine Teile außerhalb der Reichweite von kleinen Kindern. Ihre Kinder könnten sie versehentlich verschlucken.
- Tun Sie folgende Dinge nicht:
 - Stehen oder Sitzen auf dem Gerät.
 - Stellen schwerer Gegenstände auf das Gerät.
 - Übereinanderstapeln von Geräten.
 - Ausübung übermäßiger Kraft auf Tasten, Schalter Ein-Ausgangsanschlüsse usw.Nichtbeachtung kann Verletzungen oder Geräteschäden verursachen.
- Vermeiden Sie es, an den angeschlossenen Kabeln zu ziehen, um Verletzungen oder Beschädigungen der Einheit durch Herunterfallen zu vermeiden.

Verwenden von Batterien

- Verwenden Sie niemals andere als die angegebenen Batterien. Nichtbeachtung kann einen Brand oder Verbrennungen verursachen oder ein Auslaufen von Flüssigkeit zur Folge haben, die Hautreizungen verursachen kann.
- Halten Sie Batterien außerhalb der Reichweite von Kindern. Kinder können Batterien

versehentlich verschlucken. Nichtbeachtung kann auch Verätzungen durch auslaufende Flüssigkeit zur Folge haben.

- Legen Sie die Batterien nicht zusammen mit metallenen Gegenständen in eine Tasche oder ein anderes Behältnis. Die Batterie könnte kurzgeschlossen werden und platzen oder auslaufen und einen Brand oder Verletzungen verursachen.
- Vergewissern Sie sich stets, dass alle Batterien gemäß den Polaritätskennzeichnungen (+/-) eingelegt sind. Bei Nichtbeachtung können Brände, Verbrennungen oder Selbstentzündung aufgrund auslaufender Flüssigkeit auftreten.
- Wenn die Batterien leer sind, oder wenn Sie das Gerät voraussichtlich längere Zeit nicht benutzen werden, nehmen Sie die Batterien aus der Fernbedienung heraus, um ein mögliches Auslaufen der Batterieflüssigkeit zu vermeiden.
- Vor dem Lagern oder Entsorgen von Batterien sollten Sie den Bereich um die Pole mit Klebeband oder anderem geeigneten Schutzmaterial isolieren. Durch gemischte Lagerung zusammen mit anderen Batterien oder Metallgegenständen kann es zu Bränden, Verbrennungen oder Entzünden durch ausgelaufene Batterieflüssigkeit kommen.

Achtung

Kennzeichnet Punkte, die zu beachten sind, um einen Ausfall, eine Beschädigung oder eine Störung des Produkts sowie einen Verlust von Daten zu vermeiden.

Stromversorgung

- Wird das Gerät voraussichtlich längere Zeit nicht benutzt, sollten Sie unbedingt das Netzkabel aus der Netzsteckdose ziehen. Auch wenn das Gerät mit [⏻] (Bereitschaft/Ein) ausgeschaltet wird, fließt noch eine geringe Menge Strom.

Aufstellung

- Verwenden Sie dieses Gerät nicht an Orten, die direkter Sonneneinstrahlung ausgesetzt sind, die sehr heiß werden, z. B. in Nähe einer Heizung, oder extrem kalt sind, oder die übermäßigem Staub oder Vibrationen ausgesetzt sind. Bei Nichtbeachtung kann sich das Bedienfeld des Geräts verziehen, es können Bauteile im Innern beschädigt werden oder der Betrieb wird instabil.
- Wenn Sie eine Drahtlosfunktion verwenden, vermeiden Sie es, dieses Gerät in der Nähe metallischer Wände oder Tische, von Mikrowellengeräten oder anderen kabellosen Netzwerkgeräten aufzustellen. Solche Hindernisse können den Übertragungsbereich einschränken.
- Legen Sie keine empfindlich auf Magnetfelder reagierenden Gegenstände (Uhr, Debit- oder Kreditkarte usw.) auf das Gerät.

Anschlüsse

- Verbinden Sie dieses Produkt nicht direkt mit öffentlichem Wi-Fi und/oder Internet. Verbinden Sie das Produkt nur über einen Router mit starkem Passwortschutz mit dem Internet. Wenden Sie sich an den Hersteller Ihres Routers, um Informationen zu bewährten Sicherheitsverfahren zu erhalten.

- Wenn Sie externe Geräte anschließen, achten Sie darauf, die Anleitung für jedes Gerät zu lesen und die Geräte übereinstimmend mit den Anweisungen anzuschließen.
Wenn Sie ein Gerät nicht gemäß den Anweisungen behandeln, können Fehlfunktionen auftreten.

Handhabung

- Wenn sich die Umgebungstemperatur drastisch ändert (z. B. während des Transports oder bei schneller Erwärmung/Abkühlung) und die Möglichkeit besteht, dass sich im Inneren des Geräts Kondensation gebildet hat, lassen Sie es mehrere Stunden lang ausgeschaltet, bis es trocken genug ist für den Betrieb. Die Verwendung des Geräts bei auftretender Kondensation kann Fehlfunktionen verursachen.

Wartung

- Benutzen Sie zur Reinigung des Geräts ein weiches, trockenes Tuch. Die Verwendung von Chemikalien wie Benzin oder Verdünnung, scharfer Reinigungsmittel oder chemischer Scheuertücher kann Verfärbungen oder Verformungen verursachen.

Anmerkungen zur Entsorgung

- Entsorgen Sie gebrauchte Batterien und Akkus gemäß den geltenden Bestimmungen.

Information

Anmerkung zum Namensschild des Geräts

Die Nummer des Modells, die Seriennummer, der Leistungsbedarf usw. sind auf dem Typenschild, das sich auf der Unterseite des Geräts befindet, oder in der Nähe davon angegeben. Sie sollten diese Seriennummer an der unten vorgesehenen Stelle eintragen und dieses Handbuch als dauerhaften Beleg für Ihren Kauf aufbewahren, um im Fall eines Diebstahls die Identifikation zu erleichtern.

Modell Nr.

Seriennr.

(bottom_de_01)

Über die Inhalte dieser Bedienungsanleitung

- In dieser Anleitung sind wichtige Informationen durch die folgenden Signalwörter gekennzeichnet.

 **WARNUNG**

Dieser Inhalt weist auf „unmittelbares Risiko schwerer Verletzungen oder Todesgefahr“ hin.

 **VORSICHT**

Der zugehörige Inhalt weist auf „ein Risiko schwerer Verletzungen“ hin.

ACHTUNG

Kennzeichnet Punkte, die zu beachten sind, um einen Ausfall, eine Beschädigung oder eine Störung des Produkts sowie einen Verlust von Daten zu vermeiden und die Umwelt zu schützen.

HINWEIS

Kennzeichnet möglicherweise hilfreiche Hinweise zu Anweisungen und Funktionseinschränkungen sowie zusätzliche Informationen.

- Die in dieser Anleitung enthaltenen Abbildungen und Bildschirmdarstellungen dienen nur anschaulichen Zwecken.
- Die Unternehmens- und Produktnamen in dieser Anleitung sind Markenzeichen oder eingetragene Markenzeichen der entsprechenden Unternehmen.
- Software kann ohne vorherige Ankündigung geändert oder aktualisiert werden.

VORSICHT MIT DEM LASER

Dieses Gerät enthält einen Laser. Um unnötige Augenverletzungen zu vermeiden, sollten Sie alle Wartungs- und Reparaturarbeiten einem qualifizierten Wartungstechniker überlassen.

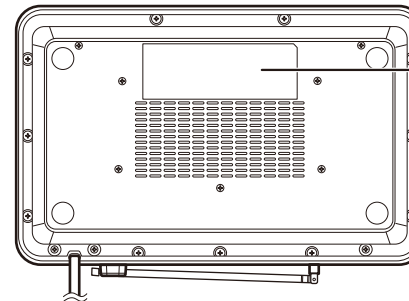
GEFAHR

Sichtbare Laserstrahlen bei geöffneter Abdeckung. Achten Sie darauf, nicht direkt in den Laserstrahl zu blicken. Wenn dieses Gerät an eine Netzdose angeschlossen ist, blicken Sie niemals in die Öffnung der Disc-Schublade oder in andere Öffnungen.

VORSICHT

Die Verwendung von Bedienelementen oder die Einstellung bzw. die Ausführung von anderen als in dieser Anleitung beschriebenen Vorgängen kann zu Gefährdung durch gefährliche Strahlung führen.

Die Laser-Komponente in diesem Produkt kann eine Strahlung abgeben, die den Grenzwert der Klasse 1 übersteigt.



CLASS 1 LASER PRODUCT
LASER KLASSE 1 PRODUKT
LUOKAN 1 LASERLAITE
KLASS 1 LASER APPARAT
PRODUIT LASER DE CLASSE 1

Drahtloskommunikationsfunktionen [Modelle für Großbritannien und Europa]

Bluetooth

Funkfrequenz 2401 bis 2481 MHz

Maximale Ausgangsleistung (EIRP): 7,12 dBm

Wi-Fi (2,4 GHz)

Funkfrequenz 2402 bis 2482 MHz

Maximale Ausgangsleistung (EIRP): 19,83 dBm

Wi-Fi (5 GHz)

Funkfrequenz, maximale Ausgangsleistung (EIRP):

5170 bis 5250 MHz, 21,60 dBm

5250 bis 5330 MHz, 21,84 dBm

5490 bis 5710 MHz, 24,13 dBm

5735 bis 5835 MHz, 13,53 dBm

- Auf dem 5-GHz-Frequenzband sendende Drahtlosgeräte können nur in Gebäuden eingesetzt werden. Die Verwendung solcher Geräte im Freien ist gesetzlich verboten.

Qi

Funkfrequenz 127,5 bis 127,9 kHz

Ausgangsleistung 41,61 dB μ A/m bei 3 m

FÖRSIKTIGHETSÅTGÄRDER

LÄS NOGGRANT INNAN ANVÄNDNING. FÖLJ DESSA INSTRUKTIONER.

Försiktighetsåtgärderna nedan är till för att minska risken för skador på användaren och andra samt förhindra egendomsskador och hjälpa användaren att använda den här enheten korrekt och säkert. Följ dessa instruktioner.

När du har läst den här bruksanvisningen ska du spara den på ett säkert ställe där du kan hitta den när som helst.

- Se till att undersökningar och reparationer alltid utförs av den återförsäljare du köpte enheten av eller av kvalificerad Yamaha-servicepersonal.
- Yamaha kan inte hållas ansvarigt för person- eller produktskador som orsakas av felaktig användning eller modifiering av enheten.
- Den här produkten är avsedd för vanliga hem. Den ska inte användas i tillämpningar som kräver hög tillförlitlighet, till exempel för hantering av liv eller värdefulla tillgångar eller inom sjukvården.



VARNING

Det här avsnittet behandlar ”risk för allvarliga personskador eller dödsfall”

Om du upptäcker något onormalt

- Om något av följande inträffar ska du omedelbart stänga av strömbrytaren och dra ur nätkontakten.
 - Nätkabeln/kontakten är skadad.
 - En ovanlig lukt, ovanligt ljud eller rök kommer från enheten.
 - Främmande material eller vatten kommer in i enheten.
 - Ljudet försvinner plötsligt under användning.
 - Enheten har en spricka eller skada.

Fortsatt användning kan orsaka elektriska stötar, brand eller funktionsfel. Be sedan den återförsäljare du köpte enheten av eller kvalificerad Yamaha-servicepersonal att omedelbart undersöka eller reparera enheten.

Strömförsörjning

- Gör ingenting som kan skada nätkabeln.
 - Placera den inte nära ett värmelement
 - Böj den inte kraftigt och ändra den inte.
 - Rispa den inte.
 - Placera den inte under något tungt föremål.Om nätkabeln används med synlig ledningstråd kan det orsaka elektriska stötar eller brand.
- Vidrör inte nätkontakten eller nätkabeln om det finns risk för blixtnedslag. Annars kan det orsaka elektriska stötar.
- Använd den här enheten med den nätspänning som anges på den. Om du ansluter till ett olämpligt vägguttag kan det orsaka brand, elektriska stötar eller funktionsfel.
- Kontrollera nätkontakten regelbundet och avlägsna smuts och damm som eventuellt har samlats på den. Annars kan det orsaka brand eller elektriska stötar.
- Se till att nätuttaget är lättåtkomligt när du installerar enheten. Om det uppstår problem eller tekniska fel bör du omedelbart stänga av strömbrytaren och dra ut kontakten ur vägguttaget. Även om strömbrytaren är avstängd måste nätkabeln också dras ut från vägguttaget för att enheten ska vara helt bortkopplad från strömkällan.
- Om du inte ska använda enheten på ett tag ska du dra ut nätkontakten ur vägguttaget. Annars kan det orsaka brand eller funktionsfel.

Montera inte isär

- Försök inte ta isär eller modifiera den här enheten. Annars kan det orsaka brand, elektriska stötar, personskador eller funktionsfel.

Varning för fukt och väta

- Utsätt inte enheten för regn och använd den inte i närheten av vatten eller i fuktig eller våt miljö. Ställ inte behållare (t.ex. vaser, flaskor eller glas) med vätska på den, eftersom vätska då kan spillas i öppningar eller på platser där vatten kan droppa. Om vätska, såsom vatten, kommer in i enheten kan det orsaka brand, elektriska stötar eller funktionsfel.
- Sätt aldrig in eller ta ut nätkontakten med våta händer. Hantera inte enheten med våta händer. Annars kan det orsaka elektriska stötar eller funktionsfel.

Varning för eld

- Placera inga brinnande föremål eller öppna lågor nära enheten, eftersom de kan orsaka eldsvåda.

Hantering

- Var försiktig så att du inte tappar eller slår kraftigt på den här enheten. Annars kan det orsaka elektriska stötar, brand eller funktionsfel.
- Placera inte metallföremål så som remmar med metalldelar nära Qi-ikonen. Om dessa föreskrifter inte följs kan det leda till brand, brännskada eller annan skada.

Batterianvändning

- **SVÄLJ INTE BATTERIER, RISK FÖR KEMISKA BRÄNNSKADOR**
Fjärrkontrollen som medföljer denna produkt innehåller ett knappbatteri. Om knappbatteriet sväljs kan det orsaka interna brännskador på bara 2 timmar och kan leda till död. Håll nya och använda batterier borta från barn. Om batteriluckan inte stängs ordentligt, sluta använda produkten och håll den borta från barn.
Om du misstänker att batterier kan ha svalts eller placerade inuti någon del av kroppen, sök omedelbart medicinsk hjälp.
- Plocka aldrig isär ett batteri. Om du får batteriets innehåll på dina händer eller i ögonen kan det orsaka blindhet eller kemiska brännskador. Om du gör det kan batteriet spricka och orsaka brand eller personskador.
- Kassera inte ett batteri i öppen eld. Utsätt inte batteriet för tillstånd av extremt lågt lufttryck, kyla eller hetta (så som direkt solsken eller eld) eller stor mängd damm eller fuktighet. Om du gör det kan batteriet spricka och orsaka brand eller personskador.
- Försök inte ladda upp batterier som inte är ämnade för uppladdning. Laddning kan göra att batteriet spricker eller läcker, vilket kan orsaka blindhet, kemiska brännskador eller personskador.
- Undvik kontakt med batterivätskan om batterierna läcker. Om batterivätska kommer i kontakt med ögon, mun eller hud bör du omedelbart skölja med vatten och kontakta läkare. Batterivätska är frätande och kan ge synskador och kemiska brännskador.

Trådlös enhet

- Använd inte enheten nära medicinska enheter eller i sjukvårdsanläggningar. Radiovågor från den här enheten kan påverka medicinska enheter.
- Ha minst 15 cm mellan enheten och personer som har pacemaker eller defibrillatorimplantat inopererade. Radiovågor som strålar ut från den här enheten kan påverka medicinska enheter, så som en inopererad pacemaker eller defibrillator.

Laser

- Titta inte in i laserkällan. Om det inte finns något som blockerar den sänder denna enhet ut en synlig laser. Undvik att titta direkt i lasern. Laserljus som kommer in i dina ögon kan orsaka nedsatt syn. När kontakten sätts i strömuttaget se till att dina ögon inte kommer nära öppningar för skivfacket eller andra öppningar och försök inte att kika in i enheten.



FÖRSIKTIGT

Det här avsnittet behandlar ”risk för personskador”.

Strömförsörjning

- Använd inte ett vägguttag där nätkontakten sitter löst när den satts in. Annars kan det orsaka brand eller elektriska stötar eller brännskador.
- När nätkontakten kopplas los håll alltid i själva kontakten och inte i sladden. Om du drar i kabeln kan den skadas och orsaka elstötar eller brand.
- Sätt i nätkontakten ordentligt hela vägen in i vägguttaget. Om enheten används utan att kontakten är helt instoppad kan damm samlas på kontakten och orsaka brand eller brännskador.

Installering

- Placera inte enheten på en instabil plats där den kan falla eller välta och orsaka personskador.
- När denna enhet installeras, se till att inte blockera värme avledning.
 - Täck den inte med tyg eller annat material.
 - Placera den inte på en matta.
 - Blockera inte enhetens ventilationshål (kylöppningar).
 - Installera inte enheten på andra sätt än de indikerade.
 - Använd inte enheten i trånga och dåligt ventilerade utrymmen.

Annars kan värme inneslutas inuti enheten och orsaka brand eller funktionsfel. Se till att det finns tillräckligt med utrymme runt enheten: minst 15 cm ovanpå, 10 cm på sidorna och 10 cm på baksidan.

- Installera inte enheten på platser där den kan komma i kontakt med frätande gaser eller salt luft eller på platser som har mycket rök eller ånga. Det kan leda till att enheten slutar fungera.
- Undvik att befinna dig nära enheten i samband med en naturkatastrof, t.ex. en jordbävning. Förflytta dig snabbt från enheten till en säker plats eftersom enheten kan välta eller falla och orsaka personskador.
- Innan du flyttar enheten ska du se till att stänga av strömbrytaren och koppla bort alla anslutningskablar. Annars kan det orsaka skada på kablarna eller göra så att någon snubblar och faller.

Hörselnedsättning

- Använd inte enheten med hög eller obehaglig volymnivå under en längre tid, eftersom detta kan medföra permanent hörselnedsättning. Kontakta läkare om du upplever hörsselförsämring eller om det ringer i öronen.
- Stäng av strömmen till alla komponenter innan du ansluter enheten till annan utrustning. Innan strömmen slås på eller av för alla enheter ska alla volymnivåer ställas på minimum. Annars riskerar du hörselnedsättning, elektriska stötar eller skador på utrustningen.
- Sätt alltid på enheten SIST när du slår på strömmen till ljudsystemet, för att undvika hörselnedsättning och skador på högtalarna. Slå av samma skäl av enheten FÖRST när du stänger av strömmen. Annars kan det orsaka hörselnedsättning eller skador på högtalarna.

Underhåll

- Dra ut nätkabeln ur uttaget innan du rengör enheten. Annars kan det orsaka elektriska stötar.

Hantering

- Stick inte in främmande material som metall eller papper i öppningarna på denna enhet. Annars kan det orsaka brand, elektriska stötar eller funktionsfel.
- Hålla små delar utom räckhåll för barn. Dina barn kan svälja dem av misstag.
- Du får inte göra följande:
 - Stå eller sitta på utrustningen.
 - Placera tunga föremål ovanpå utrustningen.
 - Stapla utrustningen.
 - Använda onödigt stor kraft på knappar, brytare, in- och utkontakter, osv.Om dessa inte följs kan det orsaka personsador eller skada på utrustningen.
- Undvik att dra i anslutna kablar för att förhindra personsador eller skador på enheten eftersom den kan falla.

Batterianvändning

- Använd inte andra batterier än de angivna. Det kan orsaka brand eller brännskador, eller resultera i vätskeläckage som kan orsaka hudinflammation.
- Förvara batterier utom räckhåll för barn. Ett barn kan oavsiktligt svälja ett batteri. Om detta inte följs kan det orsaka inflammation på grund av vätskeläckage.
- Du ska inte stoppa dem i en ficka eller väska eller bära eller förvara batterier tillsammans med metallföremål. Batteriet kan kortslutas, spricka eller läcka och orsaka brand eller personsador.
- Se alltid till att alla batterier sätts in så att de överensstämmer med märkningen för +/- . I annat fall kan det leda till brand, brännskador eller inflammation på grund av läckande batterivätska.
- När batterierna har tagit slut, om du inte tänker använda enheten under en längre tid ska du ta ut batterierna från fjärrkontrollen för att förhindra läckande batterivätska.
- När du förvarar eller kasserar batterier bör du isolera kontakterna med hjälp av tejp, eller någon annan typ av skydd. Om du blandar dem med andra batterier eller metallföremål kan det orsaka brand, brännskador eller inflammation på grund av vätskeläckage.

Meddelande

Indikerar punkter du måste iakttä för att förhindra fel på produkten, skada eller felaktig funktion och dataförlust.

Strömförsörjning

- Om du inte ska använda enheten på ett tag ska du dra ut nätkontakten ur uttaget. Även om denna enhet slås av med [⏻] (Standby/På) finns fortfarande en svag ström.

Inställning

- Använd inte den här enheten på en plats där den utsätts för direkt solljus, som blir extremt varm (t.ex. i närheten av ett värmelement) eller extremt kall eller där den utsätts för mycket damm eller vibrationer. Annars kan det orsaka att enhetens panel deformeras, interna komponenter felar eller att driften blir instabil.
- Om du använder en trådlös funktion ska du undvika att installera den här enheten nära väggar eller skrivbord av metall, mikro vågsugnar eller andra trådlösa nätverksenheter. Hinder kan förkorta överföringsavståndet.
- Placera inte magnetiskt känsliga föremål (klockor, kontant- eller kreditkort, etc.) på enheten.

Anslutningar

- Anslut inte denna produkt till ett öppet WiFi och/eller Internet direkt. Anslut endast denna produkt till Internet via en router med starkt lösenordsskydd. Konsultera med tillverkaren för routern för information om de bästa säkerhetstillämpningarna.
- Om du ansluter externa enheter ska du läsa bruksanvisningen för varje enhet noga och ansluta dem i enlighet med instruktionerna. Om en enhet inte hanteras enligt instruktionerna kan det orsaka funktionsfel.

Hantering

- Om omgivningstemperaturen förändras drastiskt (till exempel under transport av enheten eller vid snabb uppvärmning eller nedkyllning) och det finns risk för att kondens kan ha bildats i enheten ska du låta enheten stå i flera timmar utan strömmen påslagen till den är helt torr och klar för användning. Användning av enheten medan det fortfarande finns kondens inuti den kan orsaka funktionsfel.

Underhåll

- Använd en torr och mjuk duk när du rengör enheten. Om du använder kemikalier som bensin eller tinner, rengöringsmedel eller kemiska rengöringsdukar kan enheten missfärgas eller deformeras.

Angående kassering

- Kassera alltid begagnade batterier enligt lokala föreskrifter.

Information

Angående enhetens namnskytt

Modellnummer, serienummer, strömförsörjning osv. finns på eller i närheten av namnetiketten som sitter på enhetens undersida. Du bör anteckna serienumret i utrymmet nedan och förvara den här bruksanvisningen som ett bevis på ditt köp och för att underlätta identifiering i händelse av stöld.

Modellnummer

Serienummer

(bottom_sv_01)

Om innehållet i denna bruksanvisning

- Denna bruksanvisning använder följande symboler för viktig information:

 **VARNING**

Det här avsnittet behandlar "risk för allvarliga personskador eller dödsfall".

 **FÖRSIKTIGT**

Det här avsnittet behandlar "risk för personskador".

MEDELANDE

Indikerar punkter du måste iaktta för att förhindra fel på produkten, skada eller felaktig funktion och dataförlust samt skydd av miljön.

OBS!

Indikerar noteringar om instruktioner, restriktioner på funktioner och ytterligare information som kan vara hjälpfull.

- Illustrationerna och skärmbilderna i denna bruksanvisning är bara avsedda som instruktion.
- Företagsnamn och produktnamn i den här bruksanvisningen är varumärken eller registrerade varumärken som tillhör respektive ägare.
- Programvara kan revideras och uppdateras utan föregående meddelande.

LASERSÄKERHET

Apparaten använder sig av en laser. På grund av risken för ögonskador bör ingen annan än en kvalificerad reparatör öppna höljet eller försöka reparera apparaten.

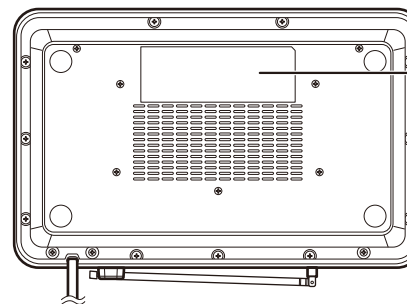
Fara!

Apparaten avger slig laserstrålning i öppet läge. Undvik direkt ögonkontakt med strålen. Placera inte ögonen i närheten av skivfacket eller någon annan öppning för att titta in i apparaten, medan apparaten är ansluten till ett nätuttag.

OBSERVERA

Användning av reglage eller justeringar eller utförande av åtgärder på annat sätt än så som beskrivs häri kan resultera i farlig strålning.

Laserkomponenten i denna apparat kan avge en strålning som överskrider gränsvärdet för klass 1.



CLASS 1 LASER PRODUCT
LASER KLASSE 1 PRODUKT
LUOKAN 1 LASERLAITE
KLASS 1 LASER APPARAT
PRODUIT LASER DE CLASSE 1

Trådlösa kommunikationsfunktioner [Modeller för Storbritannien och Europa]

Bluetooth

Radiofrekvens: 2401 till 2481 MHz
Maximal uteffekt (EIRP): 7,12 dBm

Wi-Fi (2,4 GHz)

Radiofrekvens: 2402 till 2482 MHz
Maximal uteffekt (EIRP): 19,83 dBm

Wi-Fi (5 GHz)

Radiofrekvens, Maximal uteffekt (EIRP):
5170 till 5250 MHz, 21,60 dBm
5250 till 5330 MHz, 21,84 dBm
5490 till 5710 MHz, 24,13 dBm
5735 till 5835 MHz, 13,53 dBm

- Trådlösa apparater som sänder över ett 5 GHz frekvensband kan endast användas inomhus. Användning av sådana apparater utomhus är förbjudet enligt lag.

Qi

Radiofrekvens: 127,5 till 127,9 kHz
Uteffekt: 41,61 dBuA/m vid 3 m

Användarinformation, beträffande insamling och dumpning av gammal utrustning och använda batterier



De symboler, som finns på produkterna, emballaget och/eller bifogade dokument talar om att de använda elektriska och elektroniska produkterna, samt batterierna, inte ska blandas med allmänt hushållsavfall.

För rätt handhavande, återställande och återvinning av gamla produkter och gamla batterier, vänligen medtag dessa till lämpliga samlingsplatser, i enlighet med din nationella lagstiftning.



Genom att slänga dessa produkter och batterier på rätt sätt, kommer du att hjälpa till att rädda värdefulla resurser och förhindra möjliga negativa effekter på mänsklig hälsa och miljö, vilka i annat fall skulle kunna uppstå, p.g.a. felaktig sophantering.



För mer information om insamling och återvinning av gamla produkter och batterier, vänligen kontakta din lokala kommun, ditt sophanteringsföretag eller inköpsstället för dina varor.

För företagare inom EU:

Om du vill göra dig av med elektrisk och elektronisk utrustning, vänligen kontakta din försäljare eller leverantör för mer information.



Information om sophantering i andra länder utanför EU:

Dessa symboler gäller endast inom EU. Om du vill slänga dessa föremål, vänligen kontakta dina lokala myndigheter eller försäljare och fråga efter det korrekta sättet att slänga dem.

Cd

Kommentar ang. batterisymbolen (de två nedersta symbolexemplen):

Denna symbol kan komma att användas i kombination med en kemisk symbol. I detta fall överensstämmer den med de krav, som har ställts genom direktiven för den aktuella kemikalien.

(weee_battery_eu_sv_02)

PRECAUZIONI

LEGGERE ATTENTAMENTE PRIMA DELL'USO. ACCERTARSI DI SEGUIRE LE ISTRUZIONI.

Le precauzioni elencate di seguito sono intese a prevenire i rischi di lesioni all'utente e a terzi, nonché a evitare danni alla proprietà, al fine di aiutare l'utente a utilizzare l'unità in modo appropriato e sicuro. Accertarsi di seguire le istruzioni.

Una volta letto il presente manuale, accertarsi di riporlo in un posto sicuro per eventuale riferimento futuro.

- Qualsiasi richiesta di ispezione o riparazione deve essere rivolta al rivenditore presso il quale è stata acquistata l'unità o a un tecnico autorizzato Yamaha.
- Yamaha declina qualsiasi responsabilità per lesioni personali o danni derivanti da un utilizzo non corretto o dalle modifiche apportate all'unità.
- Questo prodotto è destinato al normale uso domestico. Non utilizzare per applicazioni che richiedono elevata affidabilità, come ad esempio gestione di vite umane, strutture sanitarie o risorse di grande valore.



AVVERTENZA

Questo contenuto indica "rischio di lesioni gravi o di morte".

Anomalie

- Se si verifica una delle anomalie indicate di seguito, spegnere immediatamente il prodotto e scollegare la spina di alimentazione.
 - Il cavo/la spina di alimentazione è danneggiato.
 - L'unità emette odore, rumore anomalo o fumo.
 - All'interno dell'unità sono penetrati materiali estranei o acqua.
 - Si verifica una scomparsa del suono durante l'utilizzo.
 - L'unità presenta crepe o danni.

L'uso continuato dell'unità in presenza di tali condizioni potrebbe causare scosse elettriche, un incendio o malfunzionamenti. Richiedere immediatamente un'ispezione o una riparazione al rivenditore presso il quale è stata acquistata l'unità o a un tecnico autorizzato Yamaha.

Alimentazione

- Non eseguire operazioni che potrebbero danneggiare il cavo di alimentazione.
 - Non posizionarlo in prossimità di una fonte di calore.
 - Non piegarlo eccessivamente o modificarlo.
 - Non sguainarlo o spellarlo.
 - Non posizionarlo sotto un oggetto pesante.
- L'utilizzo di un cavo di alimentazione con i fili del cavo esposti potrebbe causare scosse elettriche o un incendio.
- Non toccare la spina o il cavo di alimentazione se vi è il rischio di fulmini. La mancata osservanza di tale precauzione potrebbe causare scosse elettriche.
- Utilizzare l'unità con la tensione di alimentazione stampata. Il mancato collegamento di una presa CA appropriata potrebbe causare un incendio, scosse elettriche o malfunzionamenti.
- Controllare periodicamente la spina elettrica ed eventualmente rimuovere la sporcizia o la polvere accumulata. La mancata osservanza di tale precauzione potrebbe causare un incendio o scosse elettriche.
- Durante l'installazione dell'unità, assicurarsi che la presa CA utilizzata sia facilmente accessibile. In caso di problemi o malfunzionamenti, spegnere immediatamente il dispositivo e scollegare la spina dalla presa di corrente CA. Anche quando l'interruttore di alimentazione è spento, a condizione che il cavo di alimentazione non sia staccato dalla presa CA, l'unità non si disconnette dalla sorgente di alimentazione.
- Se si prevede di non utilizzare l'unità per un periodo di tempo prolungato, scollegare il cavo di alimentazione dalla presa CA. La mancata osservanza di tali precauzioni potrebbe causare malfunzionamenti.

Non disassemblare

- Non disassemblare o modificare questa unità. La mancata osservanza di tale precauzione potrebbe causare scosse elettriche, lesioni o malfunzionamenti.

Esposizione all'acqua

- Non esporre l'unità alla pioggia, non usarla vicino all'acqua o in ambienti umidi o bagnati, non poggiare su di essa contenitori (ad esempio, tazze, bicchieri o bottiglie) di liquidi che possano riversarsi in una delle aperture, né posizionarla in luoghi soggetti a infiltrazioni. Se un liquido quale l'acqua penetra nell'unità, potrebbe causare un incendio, scosse elettriche o malfunzionamenti.
- Non inserire o rimuovere la spina elettrica con le mani bagnate. Non maneggiare l'unità con mani umide. La mancata osservanza di tali precauzioni potrebbe causare scosse elettriche o malfunzionamenti.

Esposizione al fuoco

- Non posizionare oggetti accesi o fiamme vive in prossimità dell'unità per evitare il rischio di incendio.

Precauzioni di utilizzo

- Prestare attenzione a non lasciar cadere o a far subire un impatto violento all'unità. La mancata osservanza di tale precauzione potrebbe causare scosse elettriche, incendio o malfunzionamenti.

- Non posizionare oggetti metallici, come fascette con componenti in metalli, vicino all'icona Qi. La mancata osservanza di tale precauzione potrebbe causare un incendio, ustioni o altre lesioni.

Utilizzo della batteria

- **NON INGERIRE LE BATTERIE, PERICOLO DI USTIONI CHIMICHE.**
Il telecomando in dotazione con questo prodotto contiene una batteria a bottone. L'ingestione della batteria a bottone può causare gravi ustioni interne in appena 2 ore e può provocare la morte.
Conservare le batterie nuove e usate lontano dalla portata dei bambini. Se il vano batterie non si chiude correttamente, interrompere l'uso del prodotto e conservarlo lontano dalla portata dei bambini.
Se si sospetta che le batterie possano essere state ingerite oppure inserite in altre parti del corpo, consultare immediatamente un medico.
- Non disassemblare una batteria. Se il contenuto della batteria viene a contatto con le mani o con gli occhi, potrebbe causare bruciacature chimiche o cecità. Tale operazione potrebbe determinare lo scoppio delle batterie e causare un incendio o lesioni.
- Non smaltire le batterie nel fuoco. Non esporre la batteria a condizioni estreme di bassa pressione dell'aria, freddo o calore (come la luce solare diretta o un incendio), né a polvere o umidità eccessiva. Tale operazione potrebbe determinare lo scoppio delle batterie e causare un incendio o lesioni.
- Non ricaricare batterie non ricaricabili. Se si tenta di ricaricare una batteria non ricaricabile, questa potrebbe esplodere o dare luogo a perdite, possibili cause di cecità, bruciacature chimiche o lesioni.
- In caso di perdite, evitare il contatto con il liquido delle batterie. Se il liquido delle batterie viene a contatto con gli occhi, la bocca o la cute, lavare immediatamente con acqua e rivolgersi a un medico. Il liquido delle batterie è corrosivo e potrebbe causare la perdita della vista o ustioni chimiche.

Unità wireless

- Non usare nelle vicinanze di dispositivi medicali o all'interno di strutture mediche. Le onde radio emesse dall'unità possono interferire con i dispositivi elettromedicali.
- Non usare questa unità a meno di 15 cm da persone dotate di pacemaker cardiaco o defibrillatore. Le onde radio emesse dall'unità possono interferire con dispositivi elettromedicali quali pacemaker o defibrillatore.

Laser

- Non guardare verso la sorgente laser. Se non ci sono ostacoli che la bloccano, questa unità emette una luce laser visibile. Non guardare direttamente il laser. Se la luce laser colpisce gli occhi, può causare danni alla vista. Una volta inserita la spina nella presa CA, non avvicinare gli occhi alle aperture del piatto portadisco o ad altre aperture, e non tentare di guardare dentro l'unità.



ATTENZIONE

Questo contenuto indica "rischio di lesioni".

Alimentazione

- Non utilizzare prese CA in cui la spina di alimentazione non si blocca saldamente in posizione. La mancata osservanza di tale precauzione potrebbe causare scosse elettriche o bruciacature.
- Quando si scollega la spina elettrica dalla presa di alimentazione, afferrare sempre la spina stessa e non il cavo. Tirando il cavo lo si potrebbe danneggiare e causare scosse elettriche o un incendio.
- Inserire saldamente la spina di alimentazione nella presa CA. Se si utilizza l'unità senza aver fissato saldamente la spina alla presa, della polvere potrebbe depositarsi sulla presa stessa causando un incendio o bruciacature.

Installazione

- Non collocare l'unità in posizione instabile, per evitare che cada accidentalmente e che possa causare lesioni.
- Quando si installa l'unità, non ostruire la dissipazione del calore.
 - Non coprire l'unità con un panno.
 - Non installare l'unità su un tappeto o sulla moquette.
 - Non bloccare i fori di ventilazione (feritoie) dell'unità.
 - Non installare l'unità diversamente da come indicato.
 - Non utilizzare l'unità in locali angusti e scarsamente ventilati.La mancata osservanza di tali precauzioni potrebbe far sì che il calore resti imprigionato all'interno dell'unità, causando un incendio o malfunzionamenti. Accertare che vi sia lo spazio libero adeguato intorno all'unità: almeno 10 cm in alto, 10 cm ai lati e 10 cm sul lato posteriore.
- Non installare l'unità in luoghi in cui potrebbe venire a contatto con gas corrosivi o salsedine o in luoghi con elevati livelli di fumo o vapore. La mancata osservanza di tale precauzione potrebbe causare un malfunzionamento.
- Evitare di trovarsi nelle vicinanze del dispositivo in caso di calamità, ad esempio terremoti. Poiché l'unità potrebbe rovesciarsi o cadere e provocare lesioni, allontanarsi rapidamente dal dispositivo e ripararsi in un luogo sicuro.
- Prima di spostare l'unità, accertarsi di spegnere l'alimentazione e scollegare tutti i cavi di collegamento. La mancata osservanza di questa precauzione potrebbe danneggiare i cavi o causare la caduta dell'utente o di altre persone.

Danni all'udito

- Non utilizzare l'unità per lunghi periodi di tempo con il volume troppo alto perché questo potrebbe causare la perdita permanente dell'udito. Se si accusano disturbi uditivi come fischi o abbassamento dell'udito, rivolgersi a un medico.
- Prima di collegare l'unità ad altre apparecchiature, spegnere tutti i dispositivi interessati. Inoltre, prima di accendere o spegnere tutti i dispositivi, impostare al minimo tutti i livelli di volume. La mancata osservanza di queste precauzioni potrebbe provocare scosse

elettriche, danni all'udito o alle apparecchiature.

- Quando si accende il sistema audio, accendere sempre l'unità PER ULTIMA, per evitare danni all'udito e ai diffusori. Analogamente, quando si spegne il sistema audio, l'unità deve essere spenta PER PRIMA. La mancata osservanza di tali precauzioni potrebbe causare lesioni all'udito o danni ai diffusori.

Manutenzione

- Prima di pulire l'unità, rimuovere la spina elettrica dalla presa CA. La mancata osservanza di tale precauzione potrebbe causare scosse elettriche.

Precauzioni di utilizzo

- Non introdurre materiali estranei quali carta o metallo nelle aperture dell'unità. La mancata osservanza di tale precauzione potrebbe causare scosse elettriche o malfunzionamenti.
- Conservare le piccole parti fuori dalla portata dei bambini. Un bambino potrebbe involontariamente ingerirle.
- Non eseguire le operazioni riportate di seguito:
 - Salire o sedersi sul dispositivo.
 - Poggiare oggetti pesanti sul dispositivo.
 - Impilare il dispositivo.
 - Premere pulsanti, interruttori, terminali I/O e così via con forza eccessiva.

La mancata osservanza di queste precauzioni potrebbe causare lesioni o danni al dispositivo.

- Evitare di tirare i cavi collegati per evitare lesioni personali o danni all'unità conseguenti a un'eventuale caduta.

Utilizzo della batteria

- Non utilizzare batterie diverse da quelle specificate. Ciò può causare incendi o ustioni, o la perdita di liquido che può causare infiammazione della pelle.
- Tenere le batterie lontano dalla portata dei bambini. Un bambino potrebbe ingerirle accidentalmente. La mancata osservanza di tale precauzione potrebbe inoltre causare irritazioni cutanee a causa della fuoriuscita di liquido delle batterie.
- Non mettere le batterie in tasca o in una borsa, né lasciarle a contatto con altri oggetti in metallo. La batteria potrebbe andare in corto circuito, scoppiare, provocare fuoriuscita di liquidi o causare un incendio o lesioni.
- Assicurarsi che tutte le batterie siano inserite correttamente rispetto alle indicazioni di polarità +/- . La mancata osservanza di tale precauzione potrebbe causare un incendio, bruciature o eritemi cutanei dovuti alla perdita di liquidi.
- In caso di esaurimento delle batterie, oppure se si prevede di non utilizzare l'unità per un periodo di tempo prolungato, rimuovere le batterie dal telecomando per evitare possibili fuoriuscite di liquido della batteria.
- Per la conservazione o lo smaltimento delle batterie, isolare l'area dei terminali con nastro adesivo o altro tipo di protezione. La presenza di altre batterie od oggetti metallici potrebbe causare un incendio, bruciature o eritemi cutanei dovuti alla fuoriuscita di liquido.

Avviso

Indica punti da osservare per evitare il guasto del prodotto, danni o malfunzionamento e perdita di dati.

Alimentazione

- Se si prevede di non utilizzare l'unità per un periodo di tempo prolungato, scollegare il cavo di alimentazione dalla presa. Anche se l'unità è stata spenta con [⏻] (Standby/ Accensione), un flusso minimo di corrente è ancora presente.

Installazione

- Non utilizzare l'unità in luoghi esposti alla luce diretta del sole, a temperature troppo basse o troppo alte (ad es. in prossimità di un termosifone), oppure esposti a polvere o a vibrazioni. La mancata osservanza di questa precauzione può causare la deformazione del pannello dell'unità, il malfunzionamento dei componenti interni o rendere instabile il funzionamento.
- Se si utilizza una funzione wireless, evitare di installare l'unità in prossimità di scrivanie o pareti metalliche, forni a microonde o altri dispositivi di rete wireless. Eventuali ostacoli potrebbero ridurre la distanza di trasmissione.
- Evitare pertanto di posizionare sull'unità oggetti sensibili ai campi magnetici (orologi, bancomat, carte di credito ecc.).

Collegamenti

- Non collegare il prodotto direttamente a Internet o a un Wi-Fi pubblico. Collegare il prodotto a Internet solo mediante un router protetto da una password forte. Per informazioni sulle migliori pratiche di sicurezza, consultare il produttore del router.
- Se si collegano unità esterne, accertarsi di leggere a fondo il manuale di ciascuna unità e di collegarle seguendo le istruzioni. La mancata osservanza delle istruzioni potrebbe causare malfunzionamenti dell'unità.

Manipolazione

- Se la temperatura ambiente cambia drasticamente (ad esempio durante il trasporto dell'unità o in caso di riscaldamento o raffreddamento improvviso) e vi è il rischio che si sia formata della condensa nell'unità, non utilizzare l'unità né accendere l'alimentazione finché non è completamente asciutta. L'uso dell'unità al cui interno è presente della condensa può causare malfunzionamenti.

Manutenzione

- Pulire l'unità con un panno morbido e asciutto. L'utilizzo di agenti chimici quali benzina o un solvente, prodotti per la pulizia o panni trattati chimicamente potrebbero causare scolorimento o deformazione.

Smaltimento

- Smaltire le batterie esauste in conformità alle normative locali.

Informazioni

Targhetta con i dati nominali dell'unità

Il numero di modello e quello di serie, i requisiti di alimentazione e altre informazioni del prodotto si trovano sulla piastrina o vicino alla stessa. La piastrina del prodotto si trova nella parte inferiore dell'unità. Annotare il numero di serie nello spazio indicato di seguito e conservare il manuale come documento di comprovazione dell'acquisto; in tal modo, in caso di furto, l'identificazione sarà più semplice.

Numero del modello

Numero di serie

(bottom_it_01)

Informazioni sul contenuto di questo manuale

- In questo manuale vengono utilizzate le seguenti parole segnaletiche per indicare informazioni importanti:



AVVERTENZA

Questo contenuto indica "rischio di lesioni gravi o di morte".



ATTENZIONE

Questo contenuto indica "rischio di lesioni".

AVVISO

Indica punti da osservare per evitare il guasto del prodotto, danni o malfunzionamento e perdita di dati, nonché per proteggere l'ambiente.

NOTA

Indica note su istruzioni, limitazioni delle funzioni e informazioni aggiuntive che potrebbero essere utili.

- Le illustrazioni e le schermate in questo manuale vengono fornite esclusivamente a scopo descrittivo.
- Le denominazioni sociali e i nomi dei prodotti riportati nel manuale sono marchi o marchi registrati delle rispettive società.
- Il software può essere modificato e aggiornato senza preavviso.

SICUREZZA DEL LASER

Quest'unità impiega un laser. Poiché è possibile causare lesioni agli occhi, solo personale qualificato di assistenza tecnica deve aprire la copertura o cercare di riparare questo dispositivo.

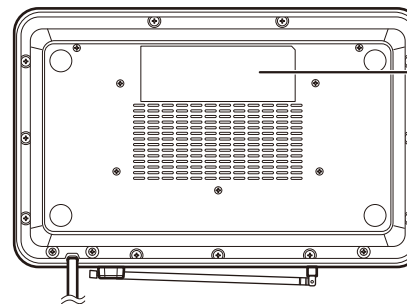
PERICOLO

Radiazioni laser visibili emette quando aperto. Evitare l'esposizione agli occhi diretta al raggio laser. Quando quest'unità è collegata ad una presa a muro, non avvicinare gli occhi all'apertura del cassetto del disco o ad altre aperture per guardare all'interno.

ATTENZIONE

L'uso di controlli, regolazioni, operazioni o procedure non specificati in questo manuale possono risultare in esposizione a radiazioni pericolose.

Il laser contenuto in questo prodotto è in grado di emettere radiazioni eccedenti i limiti fissati per la Classe 1.



CLASS 1 LASER PRODUCT
LASER KLASSE 1 PRODUKT
LUOKAN 1 LASERLAITE
KLASS 1 LASER APPARAT
PRODUIT LASER DE CLASSE 1

Funzioni di comunicazione wireless [Modelli per GB ed Europa]

Bluetooth

Frequenza radio: Da 2401 a 2481 MHz
Potenza massima di uscita (EIRP): 7,12 dBm

Wi-Fi (2,4 GHz)

Frequenza radio: Da 2402 a 2482 MHz
Potenza massima di uscita (EIRP): 19,83 dBm

Wi-Fi (5 GHz)

Frequenza radio, Potenza massima di uscita (EIRP):
Da 5170 a 5250 MHz, 21,60 dBm
Da 5250 a 5330 MHz, 21,84 dBm
Da 5490 a 5710 MHz, 24,13 dBm
Da 5735 a 5835 MHz, 13,53 dBm

- I dispositivi wireless che trasmettono su una banda di frequenza a 5 GHz possono essere utilizzati solo in ambienti interni. L'uso di tali dispositivi all'esterno è proibito dalla legge.

Qi

Frequenza radio: Da 127,5 a 127,9 kHz
Potenza di uscita: 41,61 dBμA/m a 3 m

Informazioni per gli utenti sulla raccolta e lo smaltimento di vecchia attrezzatura e batterie usate



Questi simboli sui prodotti, sull'imballaggio e/o sui documenti che li accompagnano, indicano che i prodotti elettrici ed elettronici e le batterie non devono essere mischiati con i rifiuti generici. Per il trattamento, il recupero e il riciclaggio appropriati di vecchi prodotti e batterie usate, si prega di portarli ai punti di raccolta designati, in accordo con la legislazione locale.



Smaltendo correttamente questi prodotti e batterie si potranno recuperare risorse preziose, oltre a prevenire potenziali effetti negativi sulla salute e l'ambiente che potrebbero sorgere a causa del trattamento improprio dei rifiuti.



Per ulteriori informazioni sulla raccolta e il riciclaggio di vecchi prodotti e batterie, si prega di contattare l'amministrazione comunale locale, il servizio di smaltimento dei rifiuti o il punto vendita dove sono stati acquistati gli articoli.



Per utenti imprenditori dell'Unione europea:

Se si desidera scartare attrezzatura elettrica ed elettronica, si prega di contattare il proprio rivenditore o il proprio fornitore per ulteriori informazioni.

Informazioni sullo smaltimento negli altri Paesi al di fuori dell'Unione europea:

Questi simboli sono validi solamente nell'Unione Europea; se si desidera scartare questi articoli, si prega di contattare le autorità locali o il rivenditore e richiedere informazioni sulla corretta modalità di smaltimento.

Cd

Note per il simbolo della batteria (in basso due esempi del simbolo):

È possibile che questo simbolo sia usato in combinazione con un simbolo chimico. Questo caso è conforme al requisito stabilito dalle Direttive UE sulle batterie relative agli elementi chimici contenuti.

(weee_battery_eu_it_02)

PRECAUCIONES

ANTES DE USAR EL PRODUCTO, ASEGÚRESE ES IMPORTANTE SEGUIR ESTAS INSTRUCCIONES.

La finalidad de las precauciones siguientes es evitar lesiones al usuario y otras personas y daños materiales. Además, ayudarán al usuario a utilizar esta unidad de forma correcta y segura. Es importante seguir estas instrucciones.

Después de leer este manual, es importante guardarlo en un lugar seguro donde pueda consultarlo en cualquier momento.

- Asegúrese de solicitar las inspecciones o reparaciones al distribuidor a quien compró la unidad o al Servicio técnico de Yamaha.
- Yamaha no se responsabiliza por sus lesiones o los daños a sus productos debidos a uso inapropiado o modificaciones de la unidad.
- Este producto es para hogares corrientes. No lo utilice para aplicaciones que requieran un alto nivel de fiabilidad, tales como la gestión de vidas humanas, atención sanitaria o activos de valor elevado.



ADVERTENCIA

Este contenido está relacionado con “riesgo de lesiones graves o muerte”

Si observa cualquier anomalía

- Si surge cualquiera de las anomalías siguientes, apague inmediatamente la alimentación y desconecte el enchufe de alimentación.
 - El cable/enchufe de alimentación está deteriorado.
 - La unidad emite humo, sonidos u olores no habituales.
 - Algún material extraño o agua han caído en el interior de la unidad.
 - Se produce una pérdida repentina de sonido durante el uso.
 - La unidad presenta alguna grieta u otro signo de deterioro.

Si continúa usando la unidad, existe riesgo de descarga eléctrica, incendio o avería. Solicite inmediatamente una inspección o reparación al distribuidor a quien compró la unidad o al Servicio técnico de Yamaha.

Alimentación

- No realice ninguna acción que pueda dañar el cable de alimentación.
 - No lo coloque cerca de una estufa o radiador.
 - No lo doble excesivamente ni lo modifique.
 - No lo raye.
 - No lo coloque bajo ningún objeto pesado.
- Usar el cable de alimentación con el cable pelado puede provocar una descarga eléctrica o un incendio.
- No toque el enchufe ni el cable de alimentación durante una tormenta eléctrica. De no seguirse estas instrucciones, existe riesgo de descargas eléctricas.
 - Use esta unidad con la tensión de alimentación que está impresa en ella. Si no se conecta a una toma de corriente de CA apropiada, existe riesgo de incendio, descargas eléctricas o averías.
 - Compruebe periódicamente el enchufe y quite la suciedad o el polvo que pudiera haberse acumulado en él. De no seguirse estas instrucciones, existe riesgo de incendio o descargas eléctricas.
 - Cuando instale la unidad, asegúrese de que se puede acceder fácilmente a la toma de CA que utilice. Si se produjera algún problema o funcionamiento defectuoso, apague el interruptor de alimentación y desconecte el enchufe de la toma de CA. Incluso cuando el interruptor de alimentación esté apagado, si el cable de alimentación no está desenchufado de la toma de CA de la pared, la unidad no se desconectará de la alimentación.
 - Si no va a utilizar la unidad durante un período prolongado, asegúrese de desconectar el enchufe de alimentación de la toma de corriente de CA. De no seguirse estas instrucciones, existe riesgo de incendio o averías.

No desmonte la unidad

- No desmonte ni modifique nunca esta unidad. De no seguirse estas instrucciones, existe riesgo de incendio, descargas eléctricas, lesiones o averías.

Advertencia sobre el agua

- No exponga la unidad a la lluvia, ni la use cerca del agua o en lugares donde haya mucha humedad o donde pueda gotear agua, ni le ponga encima recipientes (como jarrones, botellas o vasos) que contengan líquido, ya que puede derramarse y penetrar en el interior del aparato. Si cualquier líquido, como el agua, penetra en la unidad, existe riesgo de incendio, descargas eléctricas o averías.
- Nunca enchufe o desenchufe un cable eléctrico con las manos mojadas. No manipule esta unidad con las manos húmedas. De no seguirse estas instrucciones, existe riesgo de descargas eléctricas o averías.

Advertencia sobre el contacto con fuego

- No coloque objetos ardientes ni llamas abiertas cerca de la unidad, ya que existe riesgo de incendio.

Precauciones de uso

- Asegúrese de que la unidad no se le caiga y no la someta a ningún impacto fuerte. De no seguirse estas instrucciones, existe riesgo de descargas eléctricas, incendio o averías.
- No coloque objetos metálicos, como correas con componentes metálicos, cerca del icono Qi. De no seguirse esta precaución, existe riesgo de incendio, quemaduras u otras lesiones.

Uso de pilas

• NO INGIERA LAS PILAS, PUES PODRÍA CAUSARLE QUEMADURAS QUÍMICAS

El mando a distancia que incluye este producto contiene una pila de botón. Si se traga la pila de botón, puede causarles quemaduras internas graves en tan solo 2 horas y puede causarles la muerte.

Mantenga las pilas nuevas y usadas fuera del alcance de los niños. Si el compartimento de las pilas no se cierra de forma segura, deje de utilizar el producto y manténgalo fuera del alcance de los niños.

Si cree que alguien ha podido tragar una pila o tenerla dentro del cuerpo, busque atención médica de inmediato.

- No desmonte nunca una pila. Si el contenido de la pila entra en contacto con sus manos u ojos, puede sufrir ceguera o quemaduras químicas. Si lo hiciera, la pila podría explotar con el consiguiente riesgo de incendio o lesiones.
- No tire una pila al fuego. No someta la batería a situaciones de presión de aire extremadamente baja, frío o calor (como bajo la luz solar directa o el fuego), ni tampoco a polvo o humedad excesivos. Si lo hiciera, la pila podría explotar con el consiguiente riesgo de incendio o lesiones.
- No intente recargar pilas que no sean recargables. El proceso de carga podría hacerlas explotar o provocar una fuga, con el consiguiente riesgo de sufrir ceguera, quemaduras químicas o lesiones.
- Si las pilas tienen alguna fuga, evite el contacto con el fluido derramado. Si el fluido de la pila entra en contacto con los ojos, la boca o la piel, lávese inmediatamente con agua y consulte a un médico. El fluido de las pilas es corrosivo y puede causar pérdida de visión o quemaduras químicas.

Unidad inalámbrica

- No utilice esta unidad cerca de dispositivos médicos ni dentro de instalaciones sanitarias. Las ondas de radiofrecuencia de esta unidad pueden afectar a los dispositivos de electromedicina.
- No utilice la unidad a menos de 15 cm de personas que tengan implantado un marcapasos o un desfibrilador. Las ondas de radiofrecuencia que emite esta unidad pueden afectar a los dispositivos de electromedicina implantados, como marcapasos o desfibriladores.

Láser

- No mire hacia la fuente de luz del láser. Si no hay nada que la bloquee, esta unidad emite una luz de láser visible. Evite mirar directamente hacia el láser. Si la luz del láser incide directamente sobre sus ojos, podrían producirse problemas en la vista. Si el enchufe está conectado a la salida de CA, no acerque los ojos a las aberturas de la bandeja de disco ni a otras aberturas ni intente mirar dentro de la unidad.



ATENCIÓN

Este contenido está relacionado con “riesgo de lesiones”

Alimentación

- No utilice una toma de corriente de CA que presente holgura al insertar el enchufe de alimentación. De no seguirse estas instrucciones, existe riesgo de incendio, descargas eléctricas o quemaduras.
- Al desconectar el enchufe de alimentación, tire siempre del enchufe y no del cable. Tirar del cable puede deteriorarlo, con el consiguiente riesgo de descargas eléctricas o incendio.
- Inserte el enchufe de alimentación firmemente hasta el fondo en la toma de corriente de CA. Usar la unidad sin estar debidamente enchufada puede provocar acumulación de polvo en las patillas, con el consiguiente riesgo de incendio o quemaduras.

Instalación

- No coloque la unidad sobre superficies inestables, donde pueda caerse o volcarse por accidente y provocar lesiones.
- Al instalar esta unidad, no impida la disipación del calor.
 - No tape el dispositivo con ningún tipo de tela.
 - No instale el dispositivo sobre moquetas o alfombras.
 - No bloquee los orificios de ventilación de la unidad (ranuras de refrigeración).
 - No instale la unidad de forma distinta a la que se indica.
 - No utilice el dispositivo en un lugar demasiado pequeño o mal ventilado.De no seguirse las instrucciones anteriores, el calor quedaría atrapado en el interior de la unidad, con el consiguiente riesgo de incendio o averías. Asegúrese de que haya espacio suficiente alrededor de la unidad: como mínimo 15 cm arriba, 10 cm a los lados y 10 cm detrás.
- No instale la unidad en lugares en los que pueda entrar en contacto con gases corrosivos o aire salobre, o lugares con exceso de humo o vapor. Si ocurriera, podría dar lugar a un funcionamiento defectuoso.
- Procure no estar cerca de la unidad si se produce algún desastre natural como, por ejemplo, un terremoto. Dado al unidad podría volcar o caerse y causar lesiones, aléjese de ella rápidamente y vaya a un lugar seguro.
- Antes de mover esta unidad, asegúrese de desconectar el interruptor de alimentación y todos los cables de conexión. De no seguirse estas instrucciones, existe riesgo de deterioro de los cables o de que usted u otra persona tropiecen con ellos y se caigan.

Pérdida auditiva

- No utilice la unidad a un volumen alto o incómodo durante un periodo prolongado, ya que podría provocarle una pérdida de audición permanente. Si experimenta alguna pérdida auditiva u oye pitidos, consulte a un médico.
- Antes de conectar la unidad a otros dispositivos, desconecte la alimentación de todos ellos. Asimismo, antes de encender o apagar los dispositivos, asegúrese de ajustar el nivel de volumen de todos ellos al mínimo. De no seguirse estas instrucciones, existe riesgo de

pérdida de audición, descarga eléctrica o daños en el dispositivo.

- Cuando encienda la alimentación de CA del sistema de sonido, encienda siempre la unidad EN ÚLTIMO LUGAR para evitar sufrir pérdida de audición y no provocar daños en los altavoces. Por el mismo motivo, cuando desconecte la alimentación, apague PRIMERO la unidad. De no seguirse estas instrucciones, existe riesgo de pérdida auditiva o daños en los altavoces.

Mantenimiento

- Desconecte el enchufe de alimentación de la toma de CA antes de limpiar la unidad. De no seguirse estas instrucciones, existe riesgo de descargas eléctricas.

Precauciones de uso

- No introduzca ningún material extraño, como un objeto metálico o papel, en las aberturas de esta unidad. De no seguirse estas instrucciones, existe riesgo de incendio, descargas eléctricas o averías.
- Mantenga las piezas pequeñas fuera del alcance de los niños. Sus niños podrían tragárselas accidentalmente.
- No haga lo siguiente:
 - Subirse o sentarse en el equipo.
 - Poner objetos elementos pesados encima del equipo.
 - Apilar el equipo.
 - Aplicar fuerza más allá de lo razonable a los botones, interruptores, terminales de entrada/salida, etc.

De no seguirse estas instrucciones, existe riesgo de lesiones o daños en el equipo.

- No tire de los cables conectados para evitar lesiones o daños en la unidad debidos a caídas.

Uso de pilas

- No utilice pilas diferentes de las especificadas.
Si lo hace, podría causar un incendio o quemaduras o provocar la fuga de fluidos que pueden inflamar la piel.
- Mantenga las pilas fuera del alcance de los niños. Los niños podrían tragarse las pilas por accidente. Si no se siguen estas instrucciones podrían producirse inflamaciones debido a las fugas de fluidos de las pilas.
- No introduzca las pilas en un bolsillo o una bolsa, ni las transporte o almacene mezcladas con trozos de metal. La pila puede cortocircuitarse, explotar o perder fluido, con el consiguiente riesgo de incendio o lesiones.
- Asegúrese siempre de que todas las pilas están colocadas conforme a las marcas de polaridad +/- . De no seguirse estas instrucciones, existe riesgo de incendio, quemaduras o inflamación debidos a fugas de fluidos.
- Cuando se agoten las pilas o vaya a transcurrir mucho tiempo sin que se use la unidad, extraiga las pilas del mando a distancia para evitar posibles fugas del fluido de las pilas.
- Al guardar o desechar pilas, aisle la zona de los terminales con cinta aislante o con otro tipo de protección. Si se mezclan con otras pilas o con objetos metálicos, existe riesgo de incendio, quemaduras o inflamación a causa del fluido.

Aviso

Indica puntos que debe observar para evitar averías, daños o mal funcionamiento del producto, así como pérdidas de datos.

Alimentación

- Si no va a utilizar la unidad durante un período prolongado, asegúrese de desconectar el enchufe de alimentación de la toma de corriente. Aunque apague la unidad con [⏻] (en espera/encendido), seguirá fluyendo una cantidad mínima de corriente.

Instalación

- No use esta unidad en una ubicación que esté expuesta a la luz solar directa, que alcance temperaturas demasiado altas (por ejemplo, al lado de una estufa) o bajas ni que esté sometida a cantidades excesivas de polvo o vibraciones. De no seguirse estas instrucciones, existe riesgo de que el panel de la unidad se deforme, de que sus componentes internos se averíen o de que el funcionamiento sea inestable.
- Si usa una función inalámbrica, evite instalar esta unidad cerca de tabiques o mesas de metal, hornos microondas u otros dispositivos de red inalámbrica. Las obstrucciones pueden acortar el alcance de la transmisión.
- No coloque elementos magnéticamente sensibles (relojes, tarjetas de débito o crédito, etc.) sobre la unidad.

Conexiones

- No conecte este producto a un Wi-Fi público ni directamente a Internet. Conecte este producto a Internet solo a través de un router que tenga una protección segura por contraseña. Si desea obtener información sobre las prácticas recomendadas de seguridad, consulte al fabricante de su router.
- Si va a conectar unidades externas, asegúrese de leer detenidamente el manual de cada una de ellas y de conectarlas de acuerdo con las instrucciones. Manipular la unidad sin atenerse a las instrucciones puede provocar averías.

Manipulación

- Si la temperatura ambiente cambia drásticamente (por ejemplo, durante el transporte o al aplicar rápidamente la calefacción o el aire acondicionado) y existe la posibilidad de que se haya formado condensación en el interior de la unidad, déjela varias horas sin encenderla hasta que esté totalmente seca antes de usarla. Usar la unidad mientras contiene condensación puede producir averías.

Mantenimiento

- Para limpiar la unidad, utilice un paño suave y seco. No use productos químicos como bencina, disolventes, detergentes o bayetas impregnadas de productos químicos, pues podrían provocar decoloraciones o deformaciones.

Acerca de la eliminación

- Asegúrese de desechar las pilas usadas de acuerdo con la normativa local.

Información

Acerca de la placa de características de la unidad

El número de modelo, el número de serie, los requisitos de alimentación, etc. pueden encontrarse en la placa de identificación o cerca de ella. Esta placa se encuentra en la parte inferior de la unidad. Debe anotar dicho número en el espacio proporcionado a continuación y conservar este manual como comprobante permanente de su compra para facilitar la identificación en caso de robo.

Nº de modelo

Nº de serie

(bottom_es_01)

Acerca del contenido de este manual

- Este manual utiliza las siguientes palabras para señalar la información importante:

⚠ ADVERTENCIA

Este contenido está relacionado con "riesgo de lesiones graves o muerte".

⚠ ATENCIÓN

Este contenido está relacionado con "riesgo de lesiones".

AVISO

Indica puntos que debe observar para evitar averías, daños o mal funcionamiento del producto y pérdidas de datos, así como para la protección del medio ambiente.

NOTA

Indica notas sobre instrucciones, restricciones de funciones e información adicional que pueden resultar útiles.

- Las figuras y pantallas de este manual solo tienen propósitos ilustrativos.
- Los nombres de empresas y productos utilizados en este manual son marcas comerciales o marcas comerciales registradas de sus respectivos titulares.
- El software podría revisarse y actualizarse sin previo aviso.

SEGURIDAD CONTRA LA RADIACIÓN LÁSER

Este aparato utiliza rayos láser. Debido a la posibilidad de que se produzcan daños en los ojos, la extracción de la cubierta del aparato o las reparaciones solamente deberán ser realizadas por un técnico cualificado.

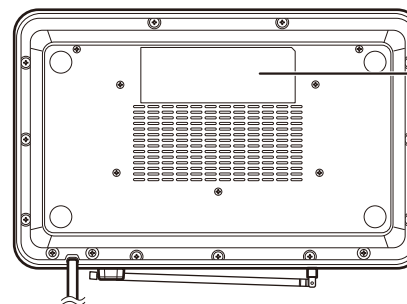
PELIGRO

Este aparato emite radiación láser visible cuando se abre. Evite la exposición directa a los rayos láser. Cuando se conecte este aparato a una toma de corriente no acerque sus ojos a la abertura de la bandeja del disco ni a otras aberturas para mirar al interior.

PRECAUCIÓN

El uso de los controles, los ajustes o los procedimientos que no se especifican en este manual pueden causar una exposición peligrosa a la radiación.

El componente láser de este producto es capaz de emitir radiación que sobrepasa el límite establecido para la clase 1.



CLASS 1 LASER PRODUCT
LASER KLASSE 1 PRODUKT
LUOKAN 1 LASERLAITE
KLASS 1 LASER APPARAT
PRODUIT LASER DE CLASSE 1

Funciones de comunicación inalámbrica [Modelos del Reino Unido y Europa]

Bluetooth

Frecuencia de radio: 2401 a 2481 MHz
Potencia de salida máxima (PIRE): 7,12 dBm

Wi-Fi (2,4 GHz)

Frecuencia de radio: 2402 a 2482 MHz
Potencia de salida máxima (PIRE): 19,83 dBm

Wi-Fi (5 GHz)

Frecuencia de radio, Potencia de salida máxima (PIRE):
de 5170 a 5250 MHz, 21,60 dBm
de 5250 a 5330 MHz, 21,84 dBm
de 5490 a 5710 MHz, 24,13 dBm
de 5735 a 5835 MHz, 13,53 dBm

- Los dispositivos inalámbricos que transmitan en la banda de frecuencia de 5 GHz solo podrán utilizarse en el interior. La ley prohíbe el uso de dichos dispositivos en el exterior.

Qi

Frecuencia de radio: 127,5 a 127,9 kHz
Potencia de salida: 41,61 dBμA/m a 3 m

Información para usuarios sobre la recogida y eliminación de los equipos antiguos y las pilas usadas



Estos símbolos en los productos, embalajes y documentos anexos significan que los productos eléctricos y electrónicos y sus pilas no deben mezclarse con los desperdicios domésticos normales. Para el tratamiento, recuperación y reciclaje apropiados de los productos antiguos y las pilas usadas, llévelos a puntos de reciclaje correspondientes, de acuerdo con la legislación nacional.



Al deshacerse de estos productos y pilas de forma correcta, ayudará a ahorrar recursos valiosos y a impedir los posibles efectos desfavorables en la salud humana y en el entorno que de otro modo se producirían si se trataran los desperdicios de modo inapropiado.



Para obtener más información acerca de la recogida y el reciclaje de los productos antiguos y las pilas, póngase en contacto con las autoridades locales, con el servicio de eliminación de basuras o con el punto de venta donde adquirió los artículos.

Para los usuarios empresariales de la Unión Europea:

Si desea desechar equipos eléctricos y electrónicos, póngase en contacto con su vendedor o proveedor para obtener más información.



Información sobre la eliminación en otros países fuera de la Unión Europea:

Estos símbolos solamente son válidos en la Unión Europea. Si desea desechar estos artículos, póngase en contacto con las autoridades locales o con el vendedor y pregúnteles el método correcto.

Cd

Nota sobre el símbolo de pila (dos ejemplos de símbolos en la parte inferior):

Este símbolo se puede utilizar en combinación con un símbolo químico. En este caso, cumple el requisito establecido por la Directiva de la UE sobre pilas correspondiente a la sustancia química utilizada.

(weee_battery_eu_es_02)

VOORZORGSMAATREGELLEN

LEES DIT ZORGVULDIG DOOR VOOR GEBRUIK. VOLG DEZE INSTRUCTIES.

De onderstaande voorzorgsmaatregelen zijn bedoeld om het risico op schade aan de gebruiker en anderen te voorkomen, om schade aan eigendommen te voorkomen en om te zorgen dat de gebruiker dit apparaat veilig en op de juiste manier gebruikt. Volg deze instructies.

Bewaar deze handleiding nadat u deze hebt gelezen op een veilige plaats zodat u hem later nog kunt raadplegen.

- Laat het apparaat altijd controleren of repareren bij de dealer bij wie u het hebt gekocht of door gekwalificeerd Yamaha-servicepersoneel.
- Yamaha kan niet verantwoordelijk worden gesteld voor persoonlijk letsel of schade aan de producten die wordt veroorzaakt door oneigenlijk gebruik van of modificaties aan de eenheid.
- Dit product is bedoeld voor gewone woonhuizen. Gebruik het niet voor toepassingen waarvoor een hoge betrouwbaarheid vereist is, zoals het beheren van levens, gezondheidszorg of eigendommen van hoge waarde.



WAARSCHUWING

Deze inhoud geeft 'risico op ernstig lichamelijk letsel of overlijden' aan.

Als u onregelmatigheden opmerkt

- Als zich een van de volgende onregelmatigheden voordoet, schakelt u het apparaat onmiddellijk uit en koppelt u de stekker los.
 - Het netsnoer is beschadigd.
 - Het apparaat verspreidt een ongebruikelijke geur, een ongebruikelijk geluid, of er komt rook uit het apparaat.
 - Er is materiaal binnen in het apparaat gekomen dat er niet in hoort, of water.
 - Het geluid valt weg tijdens het gebruik.
 - Er zit een barst in het apparaat of het apparaat is beschadigd.

Als u het apparaat blijft gebruiken, kan dat elektrische schokken, brand of storingen veroorzaken. Laat het apparaat meteen controleren of repareren bij de dealer bij wie u het hebt gekocht of door gekwalificeerd Yamaha-servicepersoneel.

Stroomvoorziening

- Doe niets waardoor het netsnoer beschadigd kan raken.
 - Leg het niet in de buurt van een verwarming.
 - Buig het snoer niet te ver en verander het niet.
 - Kras niet over het snoer.
 - Leg het niet onder een zwaar voorwerp.
- Als u het netsnoer gebruikt terwijl de kerndraden van het snoer blootliggen, kan dat een elektrische schok of brand veroorzaken.
- Raak de stekker of het snoer niet aan als de mogelijkheid van onweer bestaat. Als u zich niet aan deze richtlijnen houdt, kunnen elektrische schokken ontstaan.
- Gebruik dit apparaat met de voedingsspanning die erop is afgedrukt. Aansluiting op een incorrect stopcontact kan brand, elektrische schokken of storingen veroorzaken.
- Controleer de elektrische stekker regelmatig en verwijder al het vuil of stof dat zich erop heeft verzameld. Als u zich niet aan deze richtlijnen houdt, kan dat leiden tot brand of elektrische schokken.
- Zorg er bij het opstellen van de eenheid voor dat het gebruikte stopcontact makkelijk toegankelijk is. Schakel de aan/uit-schakelaar bij storingen of een slechte werking onmiddellijk uit en trek de stekker uit het stopcontact. Ook als de aan/uit-schakelaar is uitgeschakeld, is de eenheid niet losgekoppeld van de voedingsbron zolang het netsnoer niet uit het wandstopcontact is gehaald.
- Als u het apparaat gedurende een langere periode niet gebruikt, haal dan de stekker uit het stopcontact. Als u zich niet aan deze richtlijnen houdt, kan dat leiden tot brand of storingen.

Niet demonteren

- U mag dit apparaat niet demonteren of aanpassen. Als u zich niet hieraan houdt, kan dat leiden tot brand, elektrische schokken, letsel of storingen.

Waarschuwing tegen water

- Stel de eenheid niet bloot aan regen en gebruik het niet in de buurt van water of in een vochtige omgeving. Plaats nooit voorwerpen (zoals vazen, flessen of glazen) die vloeistof bevatten op de eenheid en plaats de eenheid niet op een plaats waar water kan vallen. Als er een vloeistof, zoals water, in het apparaat komt, kan dat brand, elektrische schokken of storingen veroorzaken.
- Haal nooit een stekker uit en steek nooit een stekker in het stopcontact als u natte handen heeft. Raak dit apparaat nooit met natte handen aan. Als u zich niet aan deze richtlijnen houdt, kan dat leiden tot elektrische schokken of storingen.

Waarschuwing tegen brand

- Plaats geen brandende voorwerpen of open vuur in de buurt van de eenheid. Deze kunnen brand veroorzaken.

Zorgvuldig behandelen

- Zorg dat u dit apparaat niet laat vallen en oefen er geen overmatige druk op uit. Als u zich niet hieraan houdt, kan dat leiden tot elektrische schokken, brand of storingen.
- Plaats geen metalen voorwerpen, zoals riempjes met metalen onderdelen, in de buurt van het Qi-pictogram. Als u zich niet houdt aan deze voorzorg, kan dit leiden tot brand, brandwonden, of ander letsel.

Batterijgebruik

• SLIK DE BATTERIJ NIET IN WANT DIT KAN RESULTEREN IN CHEMISCHE BRANDWONDEN

De afstandsbediening die bij dit product wordt geleverd bevat een knoobatterij. Als de knoobatterij wordt ingeslikt, kan dit in een tijdsbestek van slechts 2 uur ernstige inwendige brandwonden veroorzaken met mogelijk fatale afloop.

Houd nieuwe en gebruikte batterijen buiten het bereik van kinderen. Als de batterijhouder niet stevig sluit, moet u het product niet meer gebruiken en ook buiten het bereik van kinderen houden.

Als u denkt dat batterijen zijn ingeslikt of op andere wijze in het lichaam terecht zijn gekomen, roep dan onmiddellijk de hulp van een arts in.

- Demonteer geen batterijen. Als de inhoud van de batterij op uw handen of in uw ogen komt, kan dat blindheid of chemische brandwonden veroorzaken. Ze kunnen barsten en zo brand of letsel veroorzaken.
- Gooi een batterij nooit in het vuur. Stel de batterij niet bloot aan omstandigheden van extreem lage luchtdruk, extreme kou, of extreme hitte (zoals in direct zonlicht of vuur), of aan teveel stof of een te hoge vochtigheid. Ze kunnen barsten en zo brand of letsel veroorzaken.
- Probeer nooit niet-oplaadbare batterijen op te laden. Door het opladen kan een barst of lek ontstaan in de batterij, wat blindheid, chemische brandwonden of letsel kan veroorzaken.
- Vermijd contact met de vloeistof als een batterij lekt. Als de batterijvloeistof in contact mocht komen met uw ogen, mond of huid, was het betreffende gebied dan onmiddellijk met water en raadpleeg een arts. Batterijvloeistof is corrosief en kan mogelijk gezichtsverlies of chemische verbranding veroorzaken.

Draadloos apparaat

- Gebruik dit toestel niet in de buurt van medische apparaten of in medische instellingen. Radiogolven van deze eenheid kunnen elektronische medische apparatuur beïnvloeden.
- Gebruik dit apparaat niet binnen een afstand van 15 cm van personen met geïmplanteerde hartpacemaker of defibrillator. Radiogolven die afkomstig zijn van deze eenheid, kunnen een elektro-medische apparaten zoals geïmplanteerde pacemaker of defibrillator beïnvloeden.

Laser

- Kijk nooit in de laserbron. Als er geen obstakel is, zendt dit apparaat een zichtbare laser uit. Kijk niet rechtstreeks in de laser. Wanneer laserlicht in uw ogen terechtkomt, kan dit oogschade veroorzaken. Wanneer de stekker in het stopcontact wordt gestoken, mag u niet uw ogen bij de openingen van de disclade of andere openingen houden en mag u ook niet proberen om in het apparaat te kijken.



Deze inhoud geeft 'risico op lichamelijk letsel' aan.

Stroomvoorziening

- Gebruik geen stopcontact waar de stekker alleen maar losjes in past. Als u zich niet aan deze richtlijnen houdt, kan dat leiden tot brand, elektrische schokken of brandplekken.
- Wanneer u de stekker uit het stopcontact haalt, moet u altijd de stekker zelf vasthouden en niet het snoer. Als u aan het snoer trekt, kan het beschadigd raken, wat kan leiden tot elektrische schokken of brand.
- Steek de stekker stevig helemaal in het stopcontact. Als u het apparaat gebruikt terwijl de stekker niet goed in het stopcontact zit, kan zich stof verzamelen op het stopcontact, wat brand of brandplekken kan veroorzaken.

Opstelling

- Plaats de eenheid niet in een onstabiele positie waardoor deze per ongeluk kan vallen of omvallen en letsel kan veroorzaken.
- Wanneer u dit apparaat installeert, moet u ervoor zorgen dat de koeling niet wordt belemmerd.
 - Bedek het apparaat niet met een doek.
 - Installeer het apparaat niet op een tapijt of vloerkleed.
 - Blokkeer de ventilatieopeningen (koelsleuven) van dit apparaat niet.
 - Installeer het apparaat niet op een andere manier dan aangegeven.
 - Gebruik het apparaat niet in een kleine, slecht geventileerde locatie.

Als u zich niet aan de bovenstaande richtlijnen houdt, kan zich warmte ophopen in de eenheid, brand of storingen kunnen ontstaan. Zorg dat er voldoende vrije ruimte rondom het apparaat is: minimaal 15 cm aan de bovenzijde, 10 cm aan de zijkanten en 10 cm aan de achterkant.

- Zet het apparaat niet op plaatsen waar het in contact kan komen met corrosieve gassen of zilte lucht of op plaatsen met overmatige rook of stoom. Als u dat wel doet, zou dit kunnen leiden tot een defect.
- Blijf uit de buurt van de eenheid tijdens een natuurramp, zoals een aardbeving. De eenheid kan kantelen of omvallen en letsel veroorzaken, dus ga snel uit de buurt van het apparaat en ga naar een veilige plek.
- Schakel voordat u dit apparaat verplaatst het apparaat uit en koppel alle kabels los. Als u zich hier niet aan houdt, kunnen de kabels beschadigd raken of kunt u of iemand anders erover struikelen en vallen.

Gehoorverlies

- Gebruik het apparaat niet te lang op een hoog of oncomfortabel geluidsniveau, aangezien dit permanent gehoorverlies kan veroorzaken. Consulteer een KNO-arts als u ruis in uw oren of gehoorverlies constateert.
- Voordat u de eenheid aansluit op andere elektronische componenten, moet u alle betreffende apparatuur uitschakelen. Zorg er tevens voor dat u alle volumeniveaus van alle

apparaten op het minimum instelt, voordat u ze aan- of uitzet. Als u dat niet doet, kan dat leiden tot gehoorverlies, elektrische schokken of beschadiging van apparatuur.

- Wanneer u de netspanning in uw audiosysteem inschakelt, zet u dit apparaat altijd als LAATSTE aan om gehoorverlies en schade aan de luidsprekers te voorkomen. Wanneer u de spanning uitschakelt, dient het apparaat om dezelfde reden als EERSTE te worden uitgeschakeld. Als u zich niet aan het bovenstaande houdt, kan dat leiden tot gehoorverlies of beschadiging van de luidsprekers.

Onderhoud

- Haal eerst de stekker uit het stopcontact voordat u de eenheid schoonmaakt. Als u zich niet aan deze richtlijnen houdt, kunnen elektrische schokken ontstaan.

Zorgvuldig behandelen

- Steek geen vreemde materialen, zoals metaal of papier in de openingen van dit apparaat. Als u zich niet hieraan houdt, kan dat leiden tot brand, elektrische schokken of storingen.
 - Houd kleine onderdelen buiten het bereik van kleine kinderen. Uw kinderen kunnen ze per ongeluk inslikken.
 - Doe het volgende niet:
 - Staan of zitten op de apparatuur.
 - Zware voorwerpen bovenop de apparatuur plaatsen.
 - De apparatuur op andere apparatuur stapelen.
 - Overmatige kracht uitoefenen op knoppen, schakelaars, ingangen/uitgangen enz.
- Als u zich niet aan deze richtlijnen houdt, kan dit letsel of schade aan de apparatuur veroorzaken.
- Voorkom letsel en beschadiging van de eenheid door niet aan de aangesloten snoeren te trekken zodat de eenheid niet kan vallen.

Batterijgebruik

- Gebruik geen andere batterijen dan de aangegeven batterijen. Dit kan leiden tot brand of brandwonden, of tot lekkage van vloeistof die kan leiden tot ontsteking van de huid.
- Houd batterijen buiten bereik van kinderen. Een kind kan per ongeluk een batterij inslikken. Het is ook mogelijk dat er letsel wordt veroorzaakt door lekkende batterijvloeistof.
- Zorg dat u batterijen niet samen met stukken metaal in een zak of tas doet, draagt of bewaart. Er kan kortsluiting ontstaan of de batterij kan barsten of lekken en zo brand of letsel veroorzaken.
- Zorg ervoor dat de batterijen altijd op de juiste manier geplaatst worden; let op het plus- (+) en minteken (-). Doet u dit niet, dan kan dit leiden tot brand, brandplekken of vlamvorming door het lekken van vloeistof.
- Wanneer de batterijen leeg raken, of wanneer u de afstandsbediening gedurende een langere periode niet gebruikt, moet u de batterijen eruit halen om schade door lekken van de batterijen te voorkomen.
- Isoleer de polen van batterijen met plakband of een andere bescherming als u ze bewaart of weggooit. Als u ze mengt met andere batterijen of metalen voorwerpen, kan dat brand, brandplekken of vlammen veroorzaken doordat er vloeistof kan gaan lekken.

Kennisgeving

Hieronder volgt informatie die u in acht moet nemen om een defect van het product, of beschadigingen, een foutieve werking of gegevensverlies te voorkomen.

Stroomvoorziening

- Als u het apparaat gedurende een langere periode niet gebruikt, haal dan de stekker uit het stopcontact. Ook wanneer dit apparaat wordt uitgeschakeld met [⏻] (Uit (standby)/Aan), zal er nog steeds een heel klein stroompje blijven lopen.

Opstelling

- Gebruik dit apparaat niet op een locatie die blootstaat aan direct zonlicht, die zeer warm (zoals bij een verwarming) of zeer koud wordt of die blootstaat aan grote hoeveelheden stof of trillingen. Als u zich hier niet aan houdt, kan het paneel van het apparaat vervormd worden, de interne onderdelen werken mogelijk niet meer goed of de werking van het apparaat wordt onstabiel.
- Als u een draadloze functie gebruikt, plaats dit apparaat dan niet in de buurt van metalen wanden of bureaus, magnetrons of andere apparaten op het draadloze netwerk. De transmissieafstand kan worden verkort door obstakels.
- Plaats geen voorwerpen op het apparaat die gevoelig zijn voor magnetische invloeden (horloge, creditcard, pinpas enz.).

Aansluitingen

- Verbind dit product niet direct met openbare Wi-Fi en/of het Internet. Verbind dit product alleen met het Internet via een router met sterke wachtwoordbeveiliging. Raadpleeg de fabrikant van uw router voor informatie over de best mogelijke beveiliging.
- Als u externe apparaten aansluit, lees dan de handleiding voor elk apparaat grondig door en sluit de apparaten aan overeenkomstig de instructies. Als u een apparaat niet behandelt overeenkomstig de instructies, kunnen storingen ontstaan.

Behandeling

- Als de omgevingstemperatuur plotseling verandert (bijvoorbeeld tijdens het transport van het apparaat of bij snelle verwarming of verkoeling) en er mogelijk condensvorming is opgetreden in het apparaat, laat u het apparaat voor gebruik enkele uren staan zonder het in te schakelen, totdat het helemaal droog is. Als u het apparaat gebruikt terwijl er condensatie aanwezig is, kunnen er storingen optreden.

Onderhoud

- Gebruik bij het schoonmaken van het apparaat een zachte droge doek. Het gebruik van chemische stoffen als benzine of thinner, reinigingsproducten of chemische schoonmaakdoekjes kan verkleuring of vervorming veroorzaken.

Over verwijderen

- Lege batterijen vallen onder Klein Chemisch Afval en dienen als zodanig behandeld te worden.

Informatie

Over het naamplaatje op het apparaat

Het modelnummer, het serienummer, de stroomvereisten, enz. worden vermeld op of in de nabijheid van het naamplaatje, dat zich aan de onderzijde van het toestel bevindt. Het is raadzaam dit serienummer in de hieronder gereserveerde ruimte te noteren. Bewaar ook deze handleiding als permanent aankoopbewijs om identificatie in geval van diefstal te vergemakkelijken.

Modelnummer

Serienummer

(bottom_nl_01)

Over de inhoud van deze handleiding

- In deze handleiding worden de volgende signaalwoorden gebruikt om belangrijke informatie aan te geven:

⚠ WAARSCHUWING

Deze inhoud geeft 'risico op ernstig lichamelijk letsel of overlijden' aan.

⚠ VOORZICHTIG

Deze inhoud geeft 'risico op lichamelijk letsel' aan.

LET OP

Hieronder volgt informatie die u in acht moet nemen om een defect van het product, of beschadigingen, een foutieve werking of gegevensverlies te voorkomen. Tevens is de informatie van belang voor de milieubescherming.

OPMERKING

Hieronder volgen opmerkingen over instructies, beperkingen van functies en extra informatie die nuttig kan zijn.

- De illustraties en schermen in deze handleiding dienen uitsluitend voor instructiedoeleinden.
- De namen van bedrijven en producten die in deze handleiding worden genoemd, zijn handelsmerken of gedeponeerde handelsmerken van hun respectieve eigenaars.
- Software kan zonder voorafgaande kennisgeving worden gewijzigd of bijgewerkt.

VEILIGHEIDSINFORMATIE BETREFFENDE DE LASER

Dit apparaat is voorzien van een laser. Om oogletsel te voorkomen, mag u het verwijderen van de afdekking en het uitvoeren van reparaties aan deze inrichting uitsluitend door een bevoegde servicemonteur laten uitvoeren.

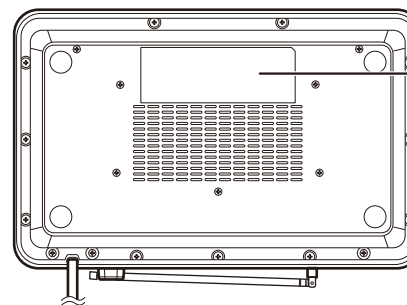
GEVAAR

Zichtbare laserstraling indien geopend. Voorkom rechtstreekse blootstelling aan de laserstraal. Als dit toestel is aangesloten op een stopcontact, houdt u uw ogen niet dicht bij de opening van de disclade en andere openingen om naar binnen te kijken.

LET OP

Gebruik van bedieningsorganen, instellingen of procedures anders dan beschreven in dit document kan leiden tot blootstelling aan gevaarlijke stralen.

De laser component in dit product is in staat stralen te produceren die de limiet voor Klasse 1 overstijgen.



CLASS 1 LASER PRODUCT
LASER KLASSE 1 PRODUKT
LUOKAN 1 LASERLAITE
KLASS 1 LASER APPARAT
PRODUIT LASER DE CLASSE 1

Draadloze communicatiefuncties [Modellen uit V.K. en Europa]

Bluetooth

Radiofrequentie: 2401 tot 2481 MHz
Maximaal uitgangsvermogen (EIRP): 7,12 dBm

Wi-Fi (2,4 GHz)

Radiofrequentie: 2402 tot 2482 MHz
Maximaal uitgangsvermogen (EIRP): 19,83 dBm

Wi-Fi (5 GHz)

Radiofrequentie, maximaal uitgangsvermogen (EIRP):
5170 tot 5250 MHz, 21,60 dBm
5250 tot 5330 MHz, 21,84 dBm
5490 tot 5710 MHz, 24,13 dBm
5735 tot 5835 MHz, 13,53 dBm

- Apparaten voor draadloze verbinding die over een 5 GHz frequentieband zenden mogen alleen binnenshuis worden gebruikt. Gebruik van dergelijke apparaten buitenshuis is bij de wet verboden.

Qi

Radiofrequentie: 127,5 tot 127,9 kHz
Uitgangsvermogen: 41,61 dBμA/m op 3 m

Informatie over ophalen en weggooien van oude apparatuur en lege batterijen



Deze symbolen op de apparaten, verpakking en/of meegeleverde documenten betekenen dat gebruikte elektrische en elektronische apparaten en batterijen niet met het gewone huishoudelijke afval mogen worden gemengd.

Voor juist behandelen, hergebruik of recyclen van oude apparatuur en lege batterijen brengt u deze naar de desbetreffende ophaalpunten in overeenstemming met de nationale wetgeving.



Door deze apparatuur en batterijen op de juiste manier weg te gooien, helpt u waardevolle bronnen te sparen en mogelijk negatieve effecten op de gezondheid van de mens en op het milieu te voorkomen, die het gevolg kunnen zijn van niet-aangepaste afvalverwerking.



Voor meer informatie over ophalen en recyclen van oude apparatuur en batterijen neemt u contact op met de lokale overheid, uw afvalophaalmaatschappij of het verkooppunt waar u de items hebt gekocht.



Voor zakelijke gebruikers in de Europese Unie:

Als u elektrische en elektronische apparatuur wilt weggooien, neemt u voor meer informatie contact op met uw dealer of leverancier.

Informatie over weggooien in landen buiten de Europese Unie:

Deze symbolen zijn alleen geldig in de Europese Unie. Als u deze items wilt weggooien, neemt u contact op met de lokale overheid of een lokale dealer en vraagt u om instructies voor het correct weggooien.

Cd

Opmerking bij het batterijsymbool (de twee onderste voorbeeldsymbolen):

Dit symbool kan in combinatie met een chemisch symbool worden gebruikt. In dat geval wordt voldaan aan de eis uit de batterijrichtlijn van de EU voor de desbetreffende chemische stof.

(weee_battery_eu_nl_02)

МЕРЫ ПРЕДОСТОРОЖНОСТИ

ПЕРЕД ИСПОЛЬЗОВАНИЕМ ВНИМАТЕЛЬНО ПРОЧИТАЙТЕ ДАННЫЕ УКАЗАНИЯ. СЛЕДУЙТЕ ЭТИМ ИНСТРУКЦИЯМ.

Перечисленные ниже меры предосторожности предназначены для предотвращения риска причинения вреда пользователю и другим людям, а также для предотвращения повреждения имущества и оказания помощи пользователю по надлежащему и безопасному использованию данного аппарата. Следуйте этим инструкциям.

После прочтения храните это руководство в надежном месте, чтобы к нему можно было обратиться в любое время.

- Для проведения осмотра или ремонта обязательно обращайтесь к дилеру, у которого был приобретен аппарат, либо в сервисный центр Yamaha.
- Корпорация Yamaha не несет ответственности за травмы или повреждения изделий, вызванные неправильной эксплуатацией или изменением конструкции аппарата, а также за потерю или повреждение данных.
- Данное устройство предназначено для домашнего использования. Не используйте его в областях, требующих высокой надежности, например в сфере жизнеобеспечения, здравоохранения или при работе с ценными активами.



ПРЕДУПРЕЖДЕНИЕ

Данная информация предупреждает о риске гибели или получения серьезных травм.

Нештатные ситуации

- При возникновении любой из указанных ниже проблем немедленно отключите питание и отсоедините штепсельную вилку.
 - Повреждения кабеля питания/штепсельной вилки.
 - Из аппарата исходит необычный запах, звук или дым.

- Внутри аппарата попало постороннее вещество или вода.
- Во время работы пропадает звук.
- На аппарате имеются трещины или повреждения.

Продолжение использования может вызвать поражение электрическим током, пожар или привести к неисправности. Незамедлительно обратитесь для осмотра аппарата в место его приобретения или в сервисный центр Yamaha.

Питание

- Не допускайте повреждений кабеля питания.
 - Не располагайте кабель рядом с обогревателями.
 - Не скручивайте и не сгибайте его.
 - Не царапайте кабель питания.
 - Не ставьте на кабель питания тяжелые предметы.Использование кабеля питания с оголенной центральной жилой может стать причиной пожара или поражения электрическим током.
- Не прикасайтесь к штепсельной вилке или кабелю питания, если имеется риск удара молнии. Несоблюдение этого указания может привести к поражению электрическим током.
- Напряжение источника питания должно соответствовать указанному на нем значению. Подключение к неправильной розетке переменного тока может стать причиной пожара, поражения электрическим током или неисправности.
- Периодически проверяйте штепсель и очищайте его от скопившейся пыли и грязи. Несоблюдение этого указания может привести к пожару или поражению электрическим током.
- Перед настройкой аппарата убедитесь, что используемая розетка переменного тока легко доступна. При возникновении какого-либо сбоя или неисправности немедленно отключите питание с помощью выключателя и отсоедините штепсель от розетки переменного тока. Даже если выключатель питания находится в выключенном положении, до тех пор пока штепсельная вилка не отсоединена от сетевой розетки, аппарат остается подключенным к источнику питания.
- Если аппарат не будет использоваться в течение длительного времени, обязательно извлеките штепсельную вилку из сетевой розетки. Несоблюдение этого указания может привести к пожару или неисправностям.

Не разбирать

- Не разбирайте аппарат и не изменяйте его конструкцию. Несоблюдение этого указания может привести к пожару, поражению электрическим током, травмам или неисправностям.

Беречь от воды

- Не допускайте попадания аппарата под дождь, не пользуйтесь им рядом с водой, в условиях сырости или повышенной влажности. Не ставьте на аппарат какие-либо емкости с жидкостью (например, вазы, бутылки или стаканы), которая может пролиться и попасть в отверстия, а также не пользуйтесь аппаратом там, где на него может попасть вода. Попадание жидкости, например воды, внутрь аппарата может стать причиной пожара, поражения электрическим током или неисправности.

- Ни в коем случае не вставляйте и не вынимайте штепсель мокрыми руками. Не беритесь за аппарат влажными руками. Несоблюдение этого указания может привести к поражению электрическим током или неисправностям.

Беречь от огня

- Не размещайте горящие предметы или источники открытого огня рядом с аппаратом, поскольку это может привести к возгоранию.

Меры безопасности при эксплуатации

- Не роняйте и не подвергайте аппарат сильному физическому воздействию. Несоблюдение этого указания может привести к поражению электрическим током, пожару или неисправностям.
- Не располагайте рядом со значком Qi металлические предметы, например ремешки с металлическими элементами. Несоблюдение данного предостережения может привести к возгоранию, ожогу или другой травме.

Использование батареек

- **НЕ ГЛОТАЙТЕ БАТАРЕЙКУ: ОПАСНОСТЬ ХИМИЧЕСКОГО ОЖОГА**
В пульте ДУ этого изделия используется батарейка в виде монеты (таблетки). В случае проглатывания батарейки в виде монеты (таблетки) в течение всего 2 часов могут произойти серьезные ожоги внутренних органов, вплоть до смертельного исхода.
Держите новые и использованные батарейки в недоступном для детей месте. Если отсек батарейки надежно не закрывается, прекратите использовать изделие и не допускайте к нему детей.
Если вы подозреваете, что батарейку могли проглотить или она могла оказаться внутри любой части тела, немедленно обратитесь за медицинской помощью.
- Не разбирайте батарейку. Попадание содержимого батарейки в глаза или на руки может привести к потере зрения или химическому ожогу. Это может привести к взрыву батарейки и стать причиной пожара или травмы.
- Не бросайте батарею в огонь. Не подвергайте батарейку воздействию крайне низкого атмосферного давления, холода или тепла (например, под прямым солнечным светом или огнем), чрезмерной пыли или влажности. Это может привести ко взрыву батареи и стать причиной пожара или травмы.
- Не пытайтесь заряжать батарейки, не предназначенные для перезарядки. Зарядка может привести к взрыву или протеканию батарейки, что, в свою очередь, может вызвать потерю зрения, химический ожог или травму.
- Если батарейки все же протекли, избегайте контакта с вытекшим электролитом. В случае попадания электролита в глаза, рот или на кожу немедленно смойте электролит водой и обратитесь к врачу. Электролит — это едкое вещество, способное вызвать потерю зрения или химические ожоги.

Модуль беспроводной связи

- Не используйте аппарат около медицинских приборов и в медицинских учреждениях. Радиоволны от данного аппарата могут воздействовать на электрические медицинские устройства.

- Не используйте данный аппарат в пределах 15 см от лиц с вживленным кардиостимулятором или дефибриллятором. Радиоволны, генерируемые данным аппаратом, могут повлиять на работу электрических медицинских устройств, например вживленных кардиостимуляторов или дефибрилляторов.

Лазер

- Не смотрите на лазерный источник света. Если аппарат ничем не закрыт, он излучает видимый лазерный свет. Не смотрите прямо на лазер. Лазерный луч, попавший в глаза, может повредить зрение. Когда штепсель вставлен в розетку переменного тока, не приближайте глаза к щелям лотка для дисков или другим отверстиям и не пытайтесь заглянуть внутрь аппарата.



Данная информация предупреждает о риске получения травмы.

Питание

- Не используйте сетевую розетку, в которой вставленная штепсельная вилка держится неплотно. Несоблюдение этого указания может привести к пожару, поражению электрическим током или ожогам.
- Во время отсоединения штепсельной вилки всегда беритесь за саму вилку, а не за кабель. Это может привести к повреждению кабеля и стать причиной поражения электрическим током или пожара.
- Вставляйте штепсельную вилку в штепсельную розетку плотно и до упора. Использование устройства, штепсель которого недостаточно плотно вставлен в розетку, может вызвать накопление частиц пыли на штепселе и стать причиной пожара или ожога.

Установка

- Не оставляйте аппарат в неустойчивом положении. Аппарат может случайно упасть и причинить травму.
- Во время установки аппарата не создавайте препятствий для отвода тепла.
 - не накрывайте аппарат тканью;
 - не ставьте аппарат на коврики или ковры;
 - Не закрывайте вентиляционные отверстия (охлаждающие прорези) аппарата.
 - Не устанавливайте аппарат иным образом, чем указано.
 - не пользуйтесь аппаратом в тесных, плохо проветриваемых помещениях.Несоблюдение приведенных выше указаний может привести к нарушению отвода тепла от устройства. Это может стать причиной пожара или неисправностей. Убедитесь, что вокруг аппарата есть достаточное пространство: не менее 15 см сверху, 10 см по бокам и 10 см сзади.
- Не устанавливайте аппарат там, где на него могут воздействовать агрессивные газы или соленый воздух, а также в местах с сильной задымленностью или повышенным

содержанием пара. Это может стать причиной неисправности.

- Не рекомендуется находиться в непосредственной близости от аппарата во время стихийных бедствий, например землетрясений. Так как аппарат может перевернуться или упасть и причинить травму, немедленно отойдите от него в безопасное место.
- Перед перемещением аппарата отключите выключатель питания и отсоедините все подключенные кабели. Несоблюдение этого указания может привести к повреждению кабелей. Также вы или кто-то другой можете споткнуться и упасть.

Потеря слуха

- Не следует долго пользоваться аппаратом при высоком или некомфортном уровне громкости, поскольку это может привести к потере слуха. При ухудшении слуха или звоне в ушах обратитесь к врачу.
- Перед подключением аппарата к другим устройствам отключите их питание. Также перед включением или выключением питания любых устройств убедитесь, что все регуляторы громкости установлены на минимальное значение. В противном случае это может привести к потере слуха, поражению электрическим током или повреждению устройства.
- При включении питания аудиосистемы всегда включайте аппарат В ПОСЛЕДНЮЮ ОЧЕРЕДЬ, чтобы избежать потери слуха и повреждения динамиков. При выключении питания по этой же причине В ПЕРВУЮ ОЧЕРЕДЬ необходимо выключать аппарат. Несоблюдение этого указания может привести к потере слуха или повреждению динамиков.

Техническое обслуживание

- Перед чисткой аппарата извлеките штепсельную вилку из сетевой розетки. Несоблюдение этого указания может привести к поражению электрическим током.

Меры безопасности при эксплуатации

- Не вставляйте посторонние материалы, например металл или бумагу, в отверстия данного аппарата. Несоблюдение этого указания может привести к поражению электрическим током или неисправностям.
- Храните мелкие детали вне досягаемости детей. Дети могут случайно проглотить их.
- Запрещается:
 - Стоять или сидеть на аппаратуре.
 - Ставить тяжелые предметы на аппаратуру.
 - Размещать аппаратуру в виде стопки.
 - Применять чрезмерную силу к кнопкам, переключателям, разъемам ввода/вывода и т.п.

Несоблюдение этого указания может привести к получению травм или повреждению оборудования.

- Не тяните за подключенные кабели. Это может привести к травмам или повреждению аппарата вследствие его падения.

Использование батареек

- Используйте батарейки только указанного типа. Это может стать причиной пожара или ожогов, или привести к утечке электролита, что может вызвать воспаление кожи.
- Храните батарейки в местах, недоступных для детей. Ребенок может случайно проглотить батарейку. Несоблюдение этого указания может привести к ожогу из-за утечки электролита батарейки.
- Не помещайте батарейку в карман или пакет, не носите и не храните батарейку рядом с металлическими предметами. При коротком замыкании батарейка может взорваться либо из нее может протечь электролит, став причиной пожара или травмы.
- Всегда следите за тем, чтобы все батарейки были вставлены с соблюдением маркировки полярности +/- . Несоблюдение этого указания может привести к ожогам или возгоранию вследствие утечки электролита.
- Если батарейки разряжены или если аппарат не будет использоваться на протяжении длительного периода времени, извлеките батарейки из пульта дистанционного управления, чтобы предотвратить возможную утечку электролита.
- При хранении или утилизации батареек изолируйте область полюсов с помощью клейкой ленты или другого материала. Контакт с другими батарейками или металлическими предметами может привести к пожару, ожогам или возгоранию из-за протекания электролита.

Уведомление

Указания, которые необходимо соблюдать во избежание неисправности, повреждения или нарушения работы изделия, а также потери данных.

Питание

- Если аппарат не будет использоваться в течение длительного времени, обязательно извлеките штепсельную вилку из розетки. Даже если данный аппарат выключен с помощью [⏻] (Ожидание/Вкл), незначительный ток продолжает протекать.

Установка

- Не используйте этот аппарат в месте, которое подвержено воздействию прямого солнечного света, может слишком сильно нагреться (например, рядом с обогревателем) или охладиться либо которое подвержено слишком сильному воздействию пыли или вибрации. Это может привести к деформации панели аппарата, вызвать неисправности внутренних компонентов или стать причиной нестабильной работы.
- При использовании беспроводной сети избегайте установки данного аппарата рядом с металлическими стенами или столами, микроволновыми печами или другими беспроводными сетевыми устройствами. Препятствия могут сократить

расстояние передачи.

- Не располагайте на аппарате магниточувствительные предметы (часы, платежную или кредитную карту и т.п.).

Подключения

- Не подключайте данное изделие к Wi-Fi общего пользования и/или непосредственно к Интернету. Подключайте данное изделие к Интернету только через маршрутизатор с надежной защитой с помощью паролей. Обратитесь к производителю маршрутизатора за информацией о передовых методах обеспечения безопасности.
- При подключении внешних устройств обязательно внимательно прочитайте руководство для каждого устройства и подключите их в соответствии с инструкциями.
Неправильное подключение аппарата, нарушающее инструкции, может привести к его неправильной работе.

Обращение с аппаратом

- Если при резком изменении внешней температуры (например, при транспортировке аппарата или при быстром нагреве либо охлаждении) есть вероятность образования конденсата в аппарате, перед использованием оставьте его на несколько часов, не включая питания, пока он не высохнет полностью. Использование аппарата при наличии в нем конденсата может привести к его повреждению.

Техническое обслуживание

- Для чистки аппарата пользуйтесь мягкой сухой тканью. Использование химикатов, таких как бензин или разбавитель, моющих средств или тканей для химической чистки может привести к деформации или обесцвечиванию.

Сведения об утилизации

- Использованные батарейки следует утилизировать в соответствии с местным законодательством.

Информация

Табличка с названием аппарата

Номер модели, серийный номер, требования к источнику питания и пр. указаны на табличке с названием изделия в нижней части устройства или рядом с ней. Запишите серийный номер в расположенном ниже поле и сохраните данное руководство как подтверждение покупки; это поможет идентифицировать принадлежность устройства в случае кражи.

Номер модели.

Серийный номер.

(bottom_ru_02)

О содержании этого руководства

- В этом руководстве используются следующие сигнальные слова для отображения важной информации:



ПРЕДУПРЕЖДЕНИЕ

Данная информация предупреждает о риске гибели или получения серьезных травм.



ВНИМАНИЕ

Данная информация предупреждает о риске получения травмы.

УВЕДОМЛЕНИЕ

Указывает пункты, которых необходимо придерживаться, чтобы предотвратить отказ, повреждение или неправильную работу изделия и потерю данных, а также защитить окружающую среду.

ПРИМЕЧАНИЕ

Указывает примечания к инструкциям, ограничениям функций и дополнительную информацию, которая может быть полезной.

- Иллюстрации и снимки экранов в данном руководстве приведены только в качестве примеров.
- Названия компаний и изделий в данном руководстве являются товарными знаками или зарегистрированными товарными знаками соответствующих компаний.
- Программное обеспечение может изменяться и обновляться без предварительного уведомления.

БЕЗОПАСНОЕ ИСПОЛЬЗОВАНИЕ ЛАЗЕРА

Данное устройство содержит лазер. Из-за опасности травмы глаз, снимать крышку или обслуживать данное устройство должен только сертифицированный обслуживающий персонал.

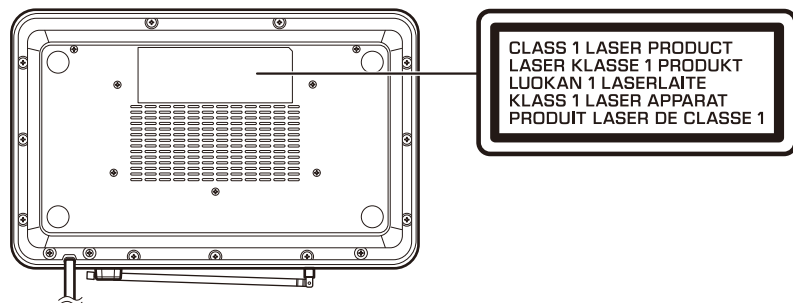
ОПАСНОСТЬ

Данное устройство в открытом состоянии излучает видимые лазерные лучи. Не допускайте непосредственного воздействия лазерных лучей на глаза. Когда данное устройство подключено к розетке, не приближайте глаза к отверстию лотка диска и другим отверстиям, и не смотрите внутрь аппарата.

ПРЕДОСТЕРЕЖЕНИЕ

Использование органов управления или произведение настроек или выполнение процедур, не указанных в данной инструкции, может отразиться на выделении опасной радиации.

Лазерный компонент данного изделия может выделять радиацию, превышающую ограниченный уровень радиации для Класса 1.



Wi-Fi (5 ГГц)

Радиочастота, максимальная выходная мощность (эквивалентная мощность изотропного излучения):

от 5170 до 5250 МГц, 21,60 дБм

от 5250 до 5330 МГц, 21,84 дБм

от 5490 до 5710 МГц, 24,13 дБм

от 5735 до 5835 МГц, 13,53 дБм

- Беспроводные устройства, выполняющие передачу в полосе частот свыше 5 ГГц, можно использовать только внутри помещений. Использование таких устройств вне помещений запрещено законом.

Qi

Радиочастота: от 127,5 до 127,9 кГц

Выходная мощность: 41,61 дБмкА/м на расстоянии 3м

Функции беспроводной связи [Модели для Великобритании и Европы]

Bluetooth

Радиочастота: от 2401 до 2481 МГц

Максимальная выходная мощность (эквивалентная мощность изотропного излучения): 7,12 дБм

Wi-Fi (2,4 ГГц)

Радиочастота: от 2402 до 2482 МГц

Максимальная выходная мощность (эквивалентная мощность изотропного излучения): 19,83 дБм

Informationen zur Rückgabe von Elektro -und Elektronikgeräten, Lampen und Batterien, gültig für Deutschland

Elektro- und Elektronische Altgeräte beinhalten eine Vielzahl von wertvollen und wiederverwendbaren Rohstoffen und gehören im Falle einer Entsorgung nicht in die Restmülltonne, sondern Altgeräte sind getrennt zu sammeln und zu entsorgen. Besitzer von Altgeräten tragen damit zur sicheren Entsorgung bei und helfen, mögliche umwelt- oder gesundheitsschädlichen Folgen zu vermeiden.

Zerstörungsfrei entnehmbare Altbatterien und Altakkumulatoren sowie Lampen, sind vor der Entsorgung zu entfernen und getrennt zu behandeln. Alte oder defekte Batterien und Akkus können überall dort, wo Batterien verkauft werden, kostenfrei zurückgegeben werden. Ebenso die kommunalen Wertstoffhöfe nehmen alte Batterien und Akkus zurück. Das Symbol mit der durchgestrichenen Mülltonne weist darauf hin, dass Batterien und/oder Akkus getrennt vom Hausmüll gesammelt und entsorgt werden müssen.

Wenn die Batterie oder der Akku mehr als die in der europäischen Batterie-Richtlinie spezifizierten Werte für Blei (Pb), Quecksilber (Hg) und/oder Kadmium (Cd) enthält, werden die chemischen Symbole für Blei (Pb), Quecksilber (Hg) und/oder Kadmium (Cd) unter dem Symbol mit der durchgestrichenen Mülltonne angezeigt.

Indem Sie Batterien separat sammeln, tragen Sie zur sicheren Entsorgung von Produkten und Batterien bei und helfen damit, mögliche umwelt- oder gesundheitsschädliche Folgen zu vermeiden. Bringen Sie dazu alle Batterien und/oder Akkus zu Ihrem örtlichen Wertstoffhof oder einem Geschäft bzw. einer Einrichtung, wo diese Geräte zur umweltfreundlichen Entsorgung gesammelt werden.

Batterien und Akkus können bei unsachgemäßer Handhabung Risiken für Mensch und Umwelt bedeuten. Insbesondere bei Lithium handelt es sich um ein sehr reaktionsfreudiges und brennbares Metall, dass in Batterien oder Akkus bei unsachgemäßem Umgang Sicherheitsrisiken birgt, wie z. B. Kurzschlussgefahr, Hitzeentwicklung, Brand oder Austritt von umweltgefährdenden Stoffen. Lithium-Akkus müssen aus Sicherheitsgründen vor der Entsorgung gesichert werden. Kleben Sie die Anschlüsse mit Isolierband ab.



Hinweis zur Verpflichtung von Vertreibern zur unentgeltlichen Rücknahme von Altgeräten in Bezug auf Elektrogesetz §17 Absatz 1 und 2:

Rücknahmepflicht größerer Elektrofachmärkte (also Elektro-Fachgeschäfte, mit einer Verkaufsfläche für Elektro- und Elektronikgeräte von mindestens 400 m²),

Rücknahmepflicht für Lebensmittelläden mit einer Gesamtverkaufsfläche von mindestens 800 m², die mehrmals pro Jahr oder dauerhaft Elektro- und Elektronikgeräte anbieten und auf dem Markt bereitstellen.

Cd Diese Händler müssen bei der Abgabe eines neuen Elektrogeräts an einen Endnutzer ein Altgerät der gleichen Art kostenfrei zurücknehmen (1:1-Rücknahme); dies gilt auch für Lieferungen an private Haushalte.

Diese Händler sind verpflichtet von Endnutzern bis zu drei kleine Altgeräte (keine äußere Abmessung größer als 25 cm) kostenfrei im Einzelhandelsgeschäft oder in unmittelbarer Nähe zu diesem zurückzunehmen, ohne dass dies an einen Neukauf geknüpft werden darf (0:1-Rücknahme).

Diese Rücknahmepflichten gelten auch für den Versandhandel, wobei die Pflicht zur 1:1-Rücknahme im privaten Haushalt nur für Wärmeüberträger (Kühl-/Gefriergeräte, Klimageräte u.a.), Bildschirmgeräte und Großgeräte gilt; für die die 1:1-Rücknahme von Lampen, Kleingeräten und kleinen ITK-Geräten durch Endnutzer sowie die 0:1-Rücknahme müssen Versandhändler Rückgabemöglichkeiten in zumutbarer Entfernung zum Endverbraucher bereitstellen.

Als Hersteller informieren wir darüber, dass Altgeräte privater Haushalte (B2C Geräte) an einer dafür vorgesehenen Sammelstelle zurückgegeben werden können. Für Details wenden Sie sich an Ihre örtliche Behörden. Weiterführende Informationen finden Sie hier: <https://www.stiftung-ear.de/de/startseite> oder hier: <https://e-schrott-entsorgen.org/>.



Achtung: Die Verantwortung für das Löschen von personenbezogenen Daten, die sich auf dem zu entsorgenden Gerät befinden, liegt beim Endnutzer!

Das Symbol mit der durchgestrichenen Mülltonne weist darauf hin, dass Produkte, deren Batterien/Akkumulatoren und/oder Verpackungen getrennt vom Hausmüll gesammelt und entsorgt werden müssen. Der schwarze Balken zeigt an, dass das Produkt nach dem 13. August 2005 auf den Markt gebracht wurde.

Die Sammel- und Recyclingquoten der Bundesrepublik Deutschland können auf der Seite des Bundesumweltministeriums eingesehen werden: <https://www.bmuv.de/themen/wasser-ressourcen-abfall/kreislaufwirtschaft/statistiken/elektro-und-elektronikaltgeraete>.

EN	Wireless devices transmitting over a 5 GHz frequency band can only be used indoors. Use of such devices outdoors is prohibited by law.
FR	Les appareils sans fil transmettant sur une bande de fréquence de 5 GHz ne peuvent être utilisés qu'à l'intérieur. L'utilisation de tels appareils à l'extérieur est interdite par la loi.
DE	Auf dem 5-GHz-Frequenzband sendende Drahtlosgeräte können nur in Gebäuden eingesetzt werden. Die Verwendung solcher Geräte im Freien ist gesetzlich verboten.
SV	Trådlösa apparater som sänder över ett 5 GHz frekvensband kan endast användas inomhus. Användning av sådana apparater utomhus är förbjudet enligt lag.
IT	I dispositivi wireless che trasmettono su una banda di frequenza a 5 GHz possono essere utilizzati solo in ambienti chiusi. L'uso di tali dispositivi all'esterno è proibito dalla legge.
ES	Los dispositivos inalámbricos que transmitan en la banda de frecuencia de 5 GHz solo podrán utilizarse en el interior. La ley prohíbe el uso de dichos dispositivos en el exterior.
PT	Os dispositivos sem fio que transmitem em banda de frequência 5 GHz só podem ser usados em ambientes fechados. O uso desses dispositivos em ambientes externos é proibido por lei.
NL	Apparaten voor draadloze verbinding die over een 5 GHz frequentieband zenden mogen alleen binnenshuis worden gebruikt. Gebruik van dergelijke apparaten buitenshuis is bij de wet verboden.
BG	Безжичните устройства, които предават сигнал през 5 GHz честотна лента, могат да се използват само на закрито. Употребата на такива устройства на открито е забранена от закона.
CS	Bezdrátová zařízení vysílající přes frekvenční pásmo 5 GHz lze používat pouze uvnitř. Používání takových zařízení venku je zakázáno zákonem.
DA	Trådløse enheder, som sender over et 5 GHz-frekvensbånd, kan kun anvendes indendørs. Brug af sådanne enheder udendørs er forbudt ved lov.
ET	Üle 5 GHz sagedusriba edastavaid juhtmeta seadmeid saab kasutada ainult siseruumides. Taoliste seadmete kasutamise välitingimustes on seadusega keelatud.

EL	Οι ασύρματες συσκευές που εκπέμπουν στη ζώνη συχνοτήτων των 5 GHz μπορούν να χρησιμοποιηθούν μόνο σε εσωτερικούς χώρους. Η χρήση τέτοιων συσκευών σε εξωτερικούς χώρους απαγορεύεται από το νόμο.
HR	Bežični uređaji koji rade na frekvencijama od 5 GHz mogu se koristiti samo u unutarnjim prostorima. Uporaba takvih uređaja u vanjskim prostorima zabranjena je zakonom.
LV	Bezvadu ierīces, kas pārraida 5 GHz frekvenču josla, var lietot tikai iekštelpās. Ir aizliegts šādas ierīces lietot ārpus telpām.
LT	Belaidžius įrenginius, sklaidžiančius virš 5 GHz dažnių juostą, galima naudoti tik viduje. Tokių įrenginių naudojimą lauke draudžia įstatymai.
HU	Az 5 GHz-es frekvencián működő vezeték nélküli eszközök csak beltérben használhatók. Az ilyen eszközök kültéri használatát a törvény tiltja.
PL	Urządzenia bezprzewodowe przesyłające sygnał w paśmie o częstotliwości 5 GHz mogą być używane wyłącznie w pomieszczeniach zamkniętych. Korzystanie z takich urządzeń poza pomieszczeniami jest prawnie zabronione.
RO	Dispozitivele wireless care transmit prin banda de frecvențe de 5 GHz pot fi folosite doar la interior. Utilizarea unor astfel de dispozitive la exterior este interzisă prin lege.
SK	Bezdrôtové zariadenia vysielajúce vo frekvenčnom pásme 5 GHz je možné používať iba vo vnútorných priestoroch. Používanie takýchto zariadení vo vonkajších priestoroch je zákonom zakázané.
SL	Brezžične naprave, ki za prenos uporabljajo frekvenčni pas 5 GHz, se lahko uporabljajo samo v zaprtih prostorih. Uporaba takšnih naprav na prostem je prepovedana z zakonom.
FI	Langattomia laitteita, jotka lähettävät yli 5 GHz:n taajuuskaistaa, voidaan käyttää vain sisätiloissa. Täällaisten laitteiden käyttö ulkotiloissa on kielletty lailla.
TR	5 GHz frekans bandında aktarım yapan kablosuz cihazlar yalnızca iç mekanlarda kullanılabilir. Bu tip cihazların dış mekanda kullanımı kanunen yasaktır.

(559-M03 RED indoor 01)

EN	SIMPLIFIED EU DECLARATION OF CONFORMITY / SIMPLIFIED UK DECLARATION OF CONFORMITY Hereby, Yamaha Music Europe GmbH declares that the radio equipment type [TSX-N237D] is in compliance with Directive 2014/53/EU and the radio equipment regulations of UK. The full texts of the EU declaration of conformity and the UK declaration of conformity are available at the following internet address: https://europe.yamaha.com/en/support/compliance/doc.html
FR	DECLARATION UE DE CONFORMITE SIMPLIFIEE Le soussigné, Yamaha Music Europe GmbH, déclare que l'équipement radioélectrique du type [TSX-N237D] est conforme à la directive 2014/53/UE. Le texte complet de la déclaration UE de conformité est disponible à l'adresse internet suivante: https://europe.yamaha.com/en/support/compliance/doc.html
DE	VEREINFACHTE EU-KONFORMITÄTSERKLÄRUNG Hiermit erklärt Yamaha Music Europe GmbH, dass der Funkanlagentyp [TSX-N237D] der Richtlinie 2014/53/EU entspricht. Der vollständige Text der EU-Konformitätserklärung ist unter der folgenden Internetadresse verfügbar: https://europe.yamaha.com/en/support/compliance/doc.html
SV	FÖRENKLAD EU-FÖRSÄKRAN OM ÖVERENSSTÄMMELSE Härmed försäkrar Yamaha Music Europe GmbH att denna typ av radioutrustning [TSX-N237D] överensstämmer med direktiv 2014/53/EU. Den fullständiga texten till EU-försäkran om överensstämmelse finns på följande webbadress: https://europe.yamaha.com/en/support/compliance/doc.html
IT	DICHIARAZIONE DI CONFORMITÀ UE SEMPLIFICATA Il fabbricante, Yamaha Music Europe GmbH, dichiara che il tipo di apparecchiatura radio [TSX-N237D] è conforme alla direttiva 2014/53/UE. Il testo completo della dichiarazione di conformità UE è isponibile al seguente indirizzo Internet: https://europe.yamaha.com/en/support/compliance/doc.html
ES	DECLARACIÓN UE DE CONFORMIDAD SIMPLIFICADA Por la presente, Yamaha Music Europe GmbH declara que el tipo de equipo radioeléctrico [TSX-N237D] es conforme con la Directiva 2014/53/UE. El texto completo de la declaración UE de conformidad está isponible en la dirección Internet siguiente: https://europe.yamaha.com/en/support/compliance/doc.html
PT	DECLARAÇÃO UE DE CONFORMIDADE SIMPLIFICADA O(a) abaixo assinado(a) Yamaha Music Europe GmbH declara que o presente tipo de equipamento de rádio [TSX-N237D] está em conformidade com a Diretiva 2014/53/UE. O texto integral da declaração de conformidade está disponível no seguinte endereço de Internet: https://europe.yamaha.com/en/support/compliance/doc.html
NL	VEREENVOUDIGDE EU-KONFORMITEITSVERKLARING Hierbij verklaar ik, Yamaha Music Europe GmbH, dat het type radioapparatuur [TSX-N237D] conform is met Richtlijn 2014/53/UE. De volledige tekst van de EU-conformiteitsverklaring kan worden geraadpleegd op het volgende internetadres: https://europe.yamaha.com/en/support/compliance/doc.html
BG	ОПРОСТЕНА ЕС ДЕКЛАРАЦИЯ ЗА СЪОТВЕТСТВИЕ С настоящото Yamaha Music Europe GmbH декларира, че този тип радиосъоръжение [TSX-N237D] е в съответствие с Директива 2014/53/ЕС. Цялостният текст на ЕС декларацията за съответствие може да се намери на следния интернет адрес: https://europe.yamaha.com/en/support/compliance/doc.html
CS	ZJEDNODUŠENÉ EU PROHLÁŠENÍ O SHODĚ Tímto Yamaha Music Europe GmbH prohlašuje, že typ rádiového zařízení [TSX-N237D] je v souladu se směrnicí 2014/53/EU. Úplné znění EU prohlášení o shodě je k dispozici na této internetové adrese: https://europe.yamaha.com/en/support/compliance/doc.html
DA	FORENKLET EU-OVERENSSTEMMELSESESKLÆRING Hermed erklærer Yamaha Music Europe GmbH, at radioudstyrstypen [TSX-N237D] er i overensstemmelse med direktiv 2014/53/UE. EU-overensstemmelseserklæringens fulde tekst kan findes på følgende internetadresse: https://europe.yamaha.com/en/support/compliance/doc.html
ET	LIHTSUSTATUD ELI VASTAVUSDEKLARATSIOON Käesolevaga deklareerib Yamaha Music Europe GmbH, et käesolev raadioseadme tüüp [TSX-N237D] vastab direktiivi 2014/53/EL nõuetele. ELi vastavusdeklaratsiooni täielik tekst on kättesaadav järgmisel internetiaadressil: https://europe.yamaha.com/en/support/compliance/doc.html
EL	ΑΠΛΟΥΣΤΕΥΜΕΝΗ ΔΗΛΩΣΗ ΣΥΜΜΟΡΦΩΣΗΣ ΕΕ Με την παρούσα ο/η Yamaha Music Europe GmbH, δηλώνει ότι ο ραδιοεξοπλισμός [TSX-N237D] πληροί την οδηγία 2014/53/ΕΕ. Το πλήρες κείμενο της δήλωσης συμμόρφωσης ΕΕ διατίθεται στην ακόλουθη ιστοσελίδα στο διαδίκτυο: https://europe.yamaha.com/en/support/compliance/doc.html

HR	POJEDNOSTAVLJENA EU IZJAVA O SUKLADNOSTI Yamaha Music Europe GmbH ovime izjavljuje da je radijska oprema tipa [TSX-N237D] u skladu s Direktivom 2014/53/EU. Cjeloviti tekst EU izjave o sukladnosti dostupan je na sljedećoj internetskoj adresi: https://europe.yamaha.com/en/support/compliance/doc.html
LV	VIENKĀRŠOTA ES ATBILSTĪBAS DEKLARĀCIJA Ar šo Yamaha Music Europe GmbH deklarē, ka radioiekārta [TSX-N237D] atbilst Direktīvai 2014/53/ES. Pilns ES atbilstības deklarācijas teksts ir pieejams šādā interneta vietnē: https://europe.yamaha.com/en/support/compliance/doc.html
LT	SUPAPRASTINTA ES ATITIKTIES DEKLARACIJA Aš, Yamaha Music Europe GmbH, patvirtinu, kad radijo įrenginių tipas [TSX-N237D] atitinka Direktyvą 2014/53/ES. Visas ES atitikties deklaracijos tekstas prieinamas šiuo interneto adresu: https://europe.yamaha.com/en/support/compliance/doc.html
HU	EGYSZERŰSÍTETT EU-MEGFELELŐSÉGI NYILATKOZAT Yamaha Music Europe GmbH igazolja, hogy a [TSX-N237D] típusú rádióberendezés megfelel a 2014/53/EU irányelvnek. Az EU-megfelelőségi nyilatkozat teljes szövege elérhető a következő internetes címen: https://europe.yamaha.com/en/support/compliance/doc.html
PL	UPROSZCZONA DEKLARACJA ZGODNOŚCI UE Yamaha Music Europe GmbH niniejszym oświadcza, że typ urządzenia radiowego [TSX-N237D] jest zgodny z dyrektywą 2014/53/UE. Pełny tekst deklaracji zgodności UE jest dostępny pod następującym adresem internetowym: https://europe.yamaha.com/en/support/compliance/doc.html
RO	DECLARAȚIA UE DE CONFORMITATE SIMPLIFICATĂ Prin prezenta, Yamaha Music Europe GmbH declară că tipul de echipamente radio [TSX-N237D] este în conformitate cu Directiva 2014/53/UE. Textul integral al declarației UE de conformitate este disponibil la următoarea adresă internet: https://europe.yamaha.com/en/support/compliance/doc.html
SK	ZJEDNODUŠENÉ EÚ VYHLÁSENIE O ZHODE Yamaha Music Europe GmbH týmto vyhlasuje, že rádiové zariadenie typu [TSX-N237D] je v súlade so smernicou 2014/53/EÚ. Úplné EÚ vyhlásenie o zhode je k dispozícii na tejto internetovej adrese: https://europe.yamaha.com/en/support/compliance/doc.html
SL	POENOSTAVLJENA IZJAVA EU O SKLADNOSTI Yamaha Music Europe GmbH potrjuje, da je tip radijske opreme [TSX-N237D] skladen z Direktivo 2014/53/EU. Celotno besedilo izjave EU o skladnosti je na voljo na naslednjem spletnem naslovu: https://europe.yamaha.com/en/support/compliance/doc.html
FI	YKSINKERTAISTETTU EU-VAATIMUSTENMUKAISUUSVAKUUTUS Yamaha Music Europe GmbH vakuuttaa, että radiolaitetyyppi [TSX-N237D] on direktiivin 2014/53/EU mukainen. EU-vaatimustenmukaisuusvakuutuksen täysimittainen teksti on saatavilla seuraavassa internetosoitteessa: https://europe.yamaha.com/en/support/compliance/doc.html
TR	BASİTLEŞTİRİLMİŞ AVRUPA BİRLİĞİ UYGUNLUK BİLDİRİMİ İşbu belge ile, Yamaha Music Europe GmbH, radyo cihaz tipinin [TSX-N237D], Direktif 2014/53/AB'ye uygunluğunu beyan eder. AB uyumu beyanının tam metni aşağıdaki internet adresinden edinilebilir: https://europe.yamaha.com/en/support/compliance/doc.html



AT	CZ	FR	IE	LU	PT	ES	LI	MK
BE	DK	DE	IT	MT	RO	SE	NO	TR
BG	EE	EL	LV	NL	SK	UK(NI)	CH	ME
CY	FI	HU	LT	PL	SI	IS	HR	RS

Yamaha Global Site
<https://www.yamaha.com/>

Yamaha Downloads
<https://download.yamaha.com/>