

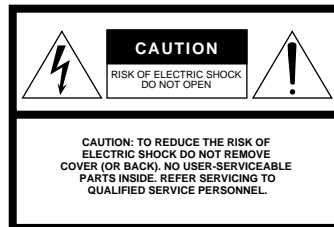
YAMAHA

SUBWOOFER SYSTEM

YST-SW20



OWNER'S MANUAL



- Explanation of Graphical Symbols



The lightning flash with the arrowhead symbol within an equilateral triangle, is intended to alert you to the presence of uninsulated "dangerous voltage" within the product's enclosure that may be of sufficient magnitude to constitute a risk of electric shock to persons.



The exclamation point within an equilateral triangle is intended to alert you to the presence of important operating and maintenance (servicing) instructions in the literature accompanying the appliance.

WARNING

TO REDUCE THE RISK OF FIRE OR ELECTRIC SHOCK.
DO NOT EXPOSE THIS UNIT TO RAIN OR MOISTURE.

IMPORTANT!

Please record the serial number of this unit in the space below.


Model:

Serial No.:

The serial number is located on the rear of the unit.

Retain this Owner's Manual in a safe place for future reference.

SAFETY INSTRUCTIONS

- 1 Read Instructions – All the safety and operating instructions should be read before the unit is operated.
- 2 Retain Instructions – The safety and operating instructions should be retained for future reference.
- 3 Heed Warnings – All warnings on the unit and in the operating instructions should be adhered to.
- 4 Follow Instructions – All operating and other instructions should be followed.
- 5 Water and Moisture – The unit should not be used near water – for example, near a bathtub, washbowl, kitchen sink, laundry tub, in a wet basement, or near a swimming pool, etc.
- 6 Carts and Stands – The unit should be used only with a cart or stand that is recommended by the manufacturer.


6A A unit and cart combination should be moved with care. Quick stops, excessive force, and uneven surfaces may cause the unit and cart combination to overturn.
- 7 Wall or Ceiling Mounting – The unit should be mounted to a wall or ceiling only as recommended by the manufacturer.
- 8 Ventilation – The unit should be situated so that its location or position does not interfere with its proper ventilation. For example, the unit should not be situated on a bed, sofa, rug, or similar surface, that may block the ventilation openings; or placed in a built-in installation, such as a bookcase or cabinet that may impede the flow of air through the ventilation openings.
- 9 Heat – The unit should be situated away from heat sources such as radiators, stoves, or other appliances that produce heat.
- 10 Power Sources – The unit should be connected to a power supply only of the type described in the operating instructions or as marked on the unit.
- 11 Power-Cord Protection – Power-supply cords should be routed so that they are not likely to be walked on or pinched by items placed upon or against them, paying particular attention to cords at plugs, convenience receptacles, and the point where they exit from the unit.
- 12 Cleaning – The unit should be cleaned only as recommended by the manufacturer.
- 13 Nonuse Periods – The power cord of the unit should be unplugged from the outlet when left unused for a long period of time.
- 14 Object and Liquid Entry – Care should be taken so that objects do not fall into and liquids are not spilled into the inside of the unit.
- 15 Damage Requiring Service – The unit should be serviced by qualified service personnel when:
 - A. The power-supply cord or the plug has been damaged; or
 - B. Objects have fallen, or liquid has been spilled into the unit; or
 - C. The unit has been exposed to rain; or
 - D. The unit does not appear to operate normally or exhibits a marked change in performance; or
 - E. The unit has been dropped, or the cabinet damaged.
- 16 Servicing – The user should not attempt to service the unit beyond those means described in the operating instructions. All other servicing should be referred to qualified service personnel.
- 17 Power Lines – An outdoor antenna should be located away from power lines.
- 18 Grounding or Polarization – Precautions should be taken so that the grounding or polarization is not defeated.

Controls

Front Panel

- ① **POWER Switch and Indicator:** Press to power on the YST-SW20; the power indicator will light up. Press again to power off. Before powering on and off, turn down the VOLUME control.
- ② **HIGH CUT Switch:** This switch selects the high-cut filter frequency: Set it to either LOW or HIGH.
- ③ **VOLUME Control:** Use this control to set the volume level. Turn it clockwise to increase the volume, and counterclockwise to reduce it.

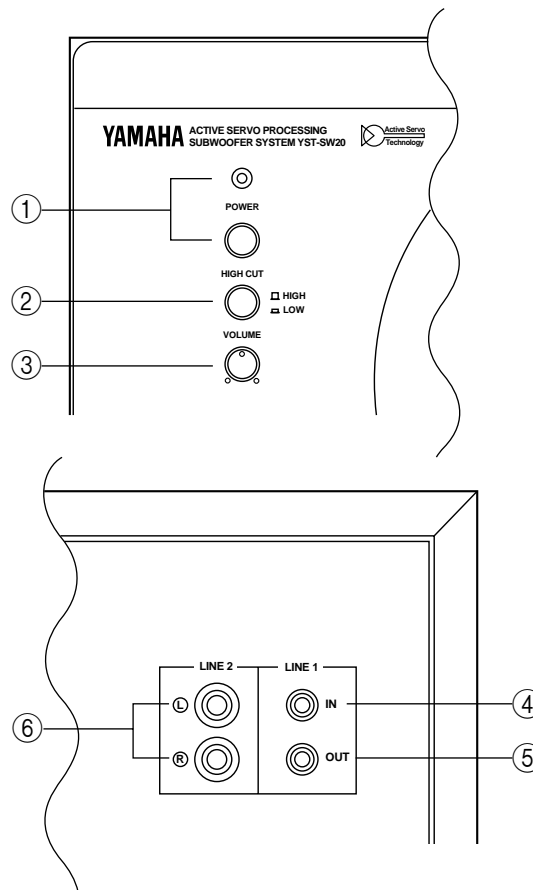
Auto Power On/Off Function

When powered on, if no input signal is received after 5–10 minutes, the power is switched off automatically. When an input signal is received, the power is switched back on automatically. This function works only when the power switch is in the on position.

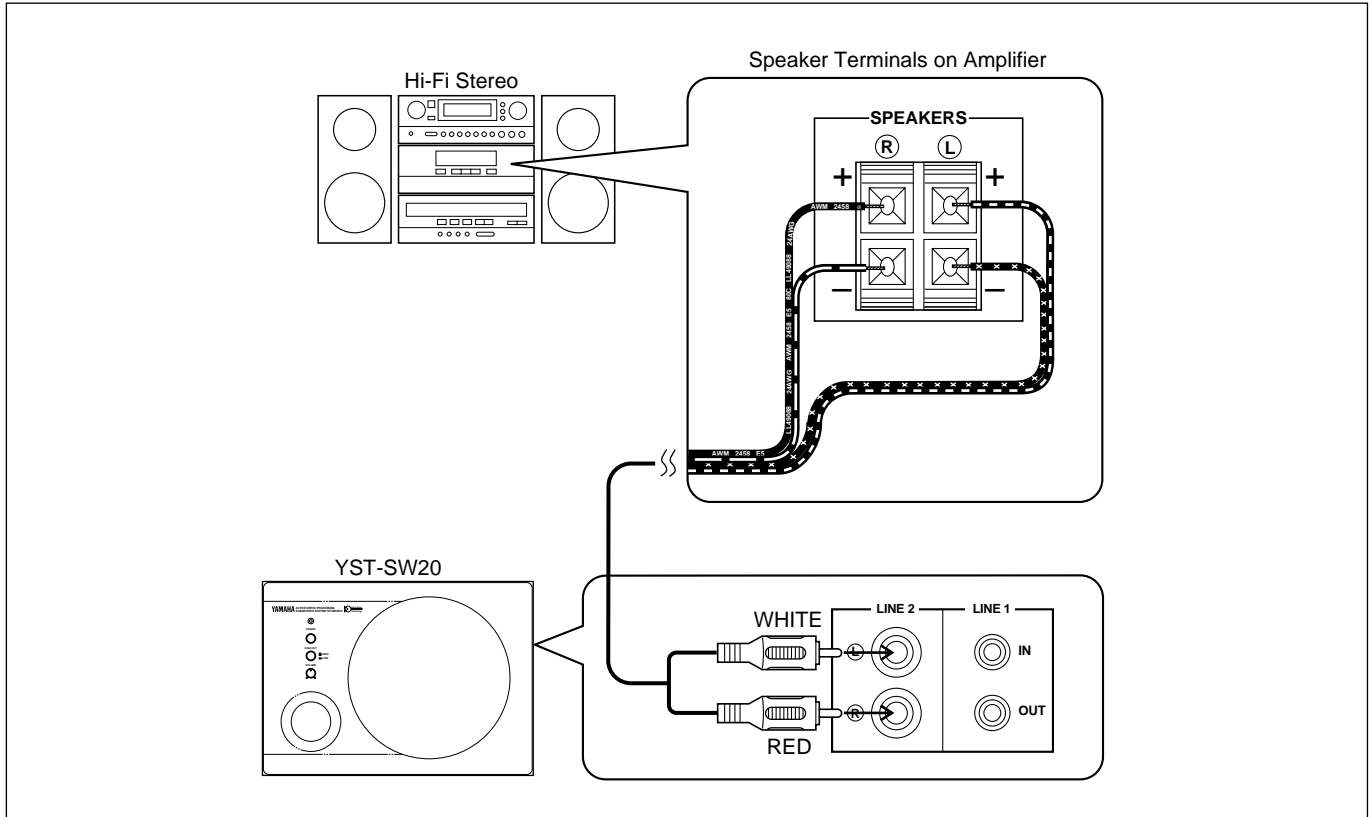
Note: The power may switch off automatically when the input signal level is very low. If this does occur, increase the output level from the source device and reduce the YST-SW20 VOLUME control accordingly.

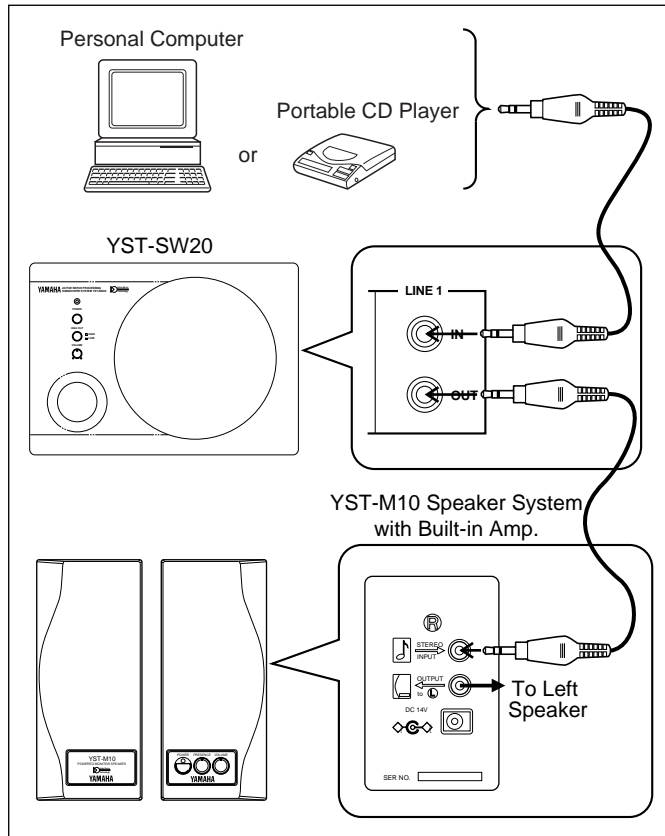
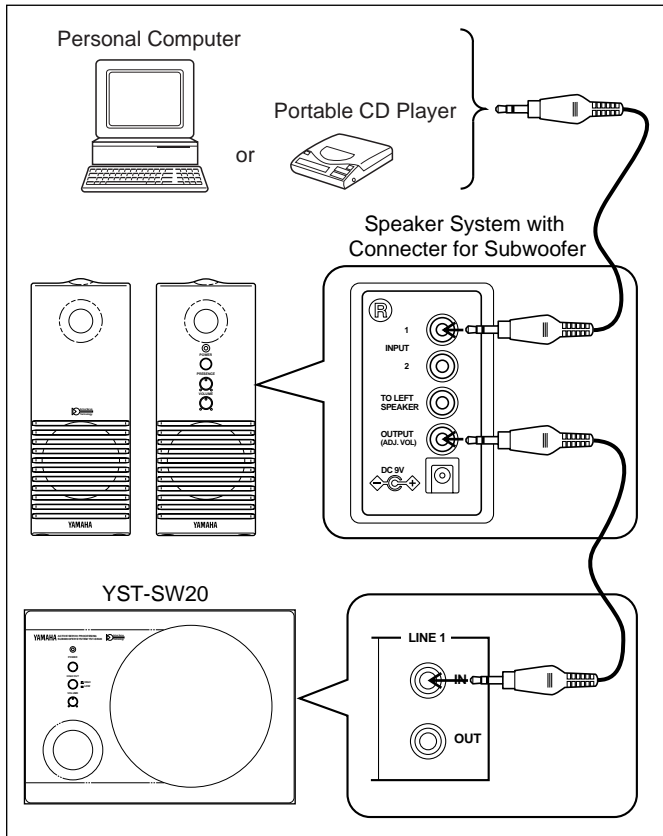
Rear Panel

- ④ **LINE 1 IN:** This 3.5 mm stereo jack connection is for inputting line-level signals to the YST-SW20.
- ⑤ **LINE 1 OUT:** This connection can be used to feed the input signal to other equipment.
- ⑥ **LINE 2:** These RCA-pin jacks are for inputting speaker level signals to the YST-SW20. They can be connected directly to the speaker outputs of a stereo amplifier.



System Connections





Cautions

Please read the following operating precautions before use:

- When disconnecting the power cord from an AC receptacle, hold and pull the plug, not the cord.
- If the YST-SW20 is not going to be used for a while, disconnect it from the AC receptacle.
- Since this unit has a built-in power amplifier, heat will radiate from the rear panel. Therefore, place the unit at least 10 cm (4 inches) away from the wall. Also, do not position with the rear panel facing down on the floor or other surface.
- Always disconnect from the AC receptacle before making any connections.
- YST-SW20 does not contain any user serviceable parts. Refer all servicing to your Yamaha dealer.
- Do not expose the YST-SW20 to temperature extremes, direct sunlight, excessive dust, humidity, or vibration.
- Site the YST-SW20 on a level, stable surface. Do not drop the YST-SW20, apply excessive force to its controls, or put heavy items on top of it.
- If the YST-SW20 should require cleaning, use a soft cloth. If necessary, a damp cloth.
- Do not put some objects into it. If doing so, the sound will be unnatural or it may cause damage to the speaker and/or amplifier.
- To protect the YST-SW20 speaker, avoid microphone feedback, continuous and excessive output from electronic musical instruments, excessive signal distortion,
- Although the YST-SW20 is magnetically shielded, keep floppy disks and tapes away from it.
- The YST-SW20 may cause picture distortion when sited close to a television or computer monitor. In this case, move it away a little.

Specifications

Type	Active Servo Processing Subwoofer System
Amplifier output	25 W/4 Ω (THD 10%, 100 Hz)
High-Cut Filter	Low, High
Pressure Level	100 dB (max.)
Capacity	10.0 l
Frequency response	30 to 250 Hz (-10dB)
Speaker unit	6.3" (16 cm) cone woofer, magnetic shielding
Power supply	AC 120 V, 60 Hz
Power consumption	25 W
Dimensions (W × H × D)	280 (11") × 200 (7.9") × 289 (11.4") mm
Weight	5.9 kg (13 lbs)
Accessories	Mini plug cable × 1 RCA pin plug to mini plug cable × 1 RCA pin plug to bare wire cable × 1

YAMAHA
YAMAHA CORPORATION