



POWERED LOUDSPEAKERS

**DZR** SERIES

POWERED SUBWOOFERS

**DXS XLF** SERIES

LOUDSPEAKERS

**CZR** SERIES

SUBWOOFERS

**CXS XLF** SERIES





# Power and Performance. Integrated.

Best-in-class SPL performance, sophisticated DSP processing, unrivaled low-frequency sound reproduction—the new DZR delivers on all fronts realizing a truly professional sound with a level of power that belies its compact, lightweight design.



Heir to the throne previously held by Yamaha's revered DSR Series powered loudspeaker, the DZR represents an ideal marriage of state-of-the-art digital signal processing, amplifier design, and loudspeaker development that Yamaha has developed over decades for sound engineers and music professionals.

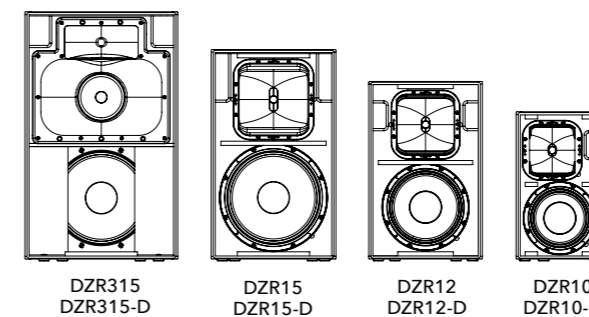
The DZR features a lightweight 2000W Class-D amplifier module with switching power supply that delivers superior high fidelity sound at best-in-class SPL.

High-performance 96kHz DSP processors provide Advanced FIR-X Tuning, correct EQ and D-Contour processing to give users superior tuning and ultimate control of the DZR's impressive power, while highly reliable protection circuits ensure extended usability with consistent, worry-free performance.

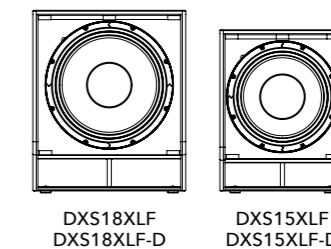
The DZR lineup itself delivers stunning low frequency with newly developed LF transducers, but for LF-heavy applications that require extra-loud and low, the new DXS-XLF 18" and 15" models match perfectly with the DZR full-range models for a full, focused top-to-bottom sound. The new lineup also includes DZR "D" models equipped with Dante I/O for more flexible system control and expandability.

This new lineup is comprised of two 3-way full-range models (DZR315 and the Dante equipped DZR315-D) with 2" HF, 8" MF and 15" LF, six 2-way full-range models (DZR15, DZR12 and DZR 10 + Dante versions DZR15-D, DZR12-D and DZR10-D) and four subwoofers (DXS18XLF, DXS15XLF + Dante version DXS18XLF-D and DXS15XLF-D) for a total of twelve new models with impressive new capabilities, specifications, and flexible features.

## POWERED LOUSPEAKERS DZR SERIES



## POWERED SUBWOOFERS DXS XLF SERIES





# Sign of the Times

The culmination of all Yamaha's accrued sound reinforcement, acoustics, and signal processing technology expertise—particularly with the introduction of our Dante-enabled models—DZR represents Yamaha's first fully-integrated, smart/editable speaker range of professional, powered loudspeakers.



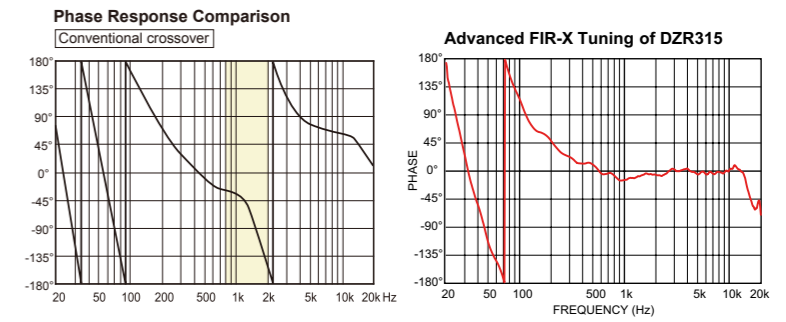
	Power Rating <sup>*1</sup>	Maximum SPL <sup>*2</sup>	Frequency Range (-10dB)	LF	MF	HF	Coverage Angle
DZR315/315-D	2000W	143dB SPL	31Hz - 20kHz	15" Cone, 3" VC	8" Cone	2" VC, 1" Throat	H75° x V50°
DZR15/15-D	2000W	139dB SPL	34Hz - 20kHz	15" Cone, 3" VC	-	2" VC, 1" Throat	H90° x V50°(Rotatable)
DZR12/12-D	2000W	139dB SPL	39Hz - 20kHz	12" Cone, 3" VC	-	2" VC, 1" Throat	H90° x V60°(Rotatable)
DZR10/10-D	2000W	137dB SPL	44Hz - 20kHz	10" Cone, 3" VC	-	2" VC, 1" Throat	H90° x V60°(Rotatable)

\*1 Dynamic power \*2 Measured Maximum SPL (peak)

## Yamaha DSP: Intelligent Processing for Consistent Clarity and Power

### Advanced FIR-X Tuning

96kHz DSP processors help focus the considerable power output of the DZR into truly high-resolution sound with super-low latency. Yamaha's newly developed Advanced FIR-X tuning improves significantly on our proprietary FIR-X tuning technology which utilizes linear phase FIR filters for the crossover network and correct EQ. Using FIR filters, we are able to realize very smooth frequency response for stunning clarity and sound imaging without phase distortion. Accurate EQ filtering is also provided for pinpoint adjustment to realize ideal clarity and best-in-class SPL without signal degradation.



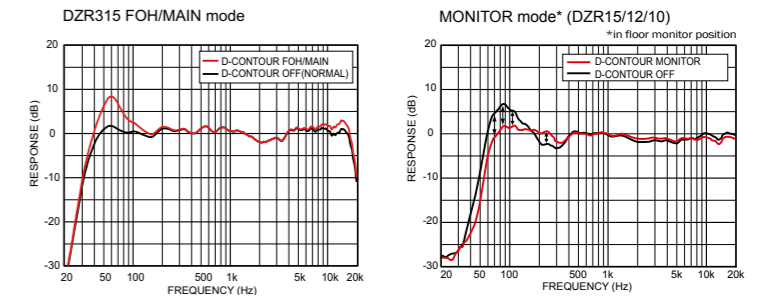
An onboard LCD screen allows users to easily navigate the variety of DSP functions, load presets, and make precise adjustments to PEQ, delay, and routing. Store up to 8 user presets to save your own parameter adjustments, or use the optimized dedicated factory presets for using DZR and DXS-XLF Series in combination. Users can easily transfer saved settings to a USB flash drive.



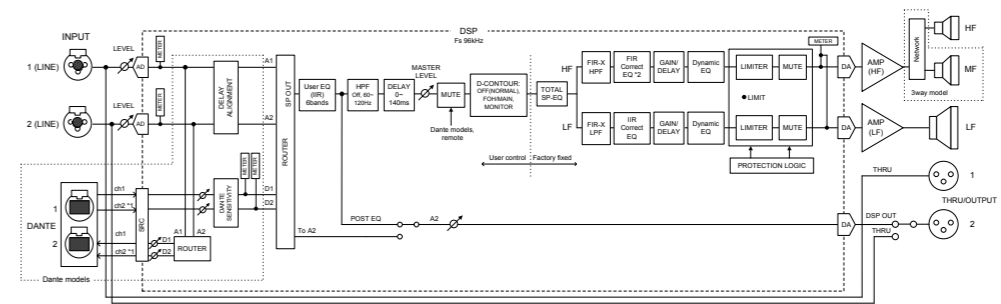
### D-CONTOUR

D-CONTOUR is an intelligent multi-band compressor that ensures your DZR's sound stays consistent and clear no matter how hard you drive them. By constantly monitoring the output of multiple frequency bands and applying the optimum EQ adjustments for each, even the highest output levels maintain outstanding clarity and musicality.

A perfect complement to the DZR's versatile cabinet design, D-CONTOUR provides two different settings, FOH/MAIN or MONITOR mode, offering more detailed tuning of your sound relative to your PA's configuration. FOH/MAIN mode boosts the lower frequencies to compensate for low end that is typically missing when speakers are used in suspended applications or mounted on a speaker stand. MONITOR mode is optimized for floor monitoring application by taming down problematic low frequencies that can be enhanced by floor reflection, and smoothing a wide range of frequencies to deliver the clarity professionals demand from their stage monitors. Both of these presets were perfected by performing countless listening tests with skilled sound engineers to ensure consistent sound with low distortion at any output level.



### DSP protection functions for maximum output and component longevity



One of the advantages of powered loudspeakers is that the combination of transducers and amplifiers can be perfectly matched and optimized for the best possible performance. During the development of the DZR and DXS-XLF Series, we measured and tested the durability of each transducer and the overall amplifier output to set optimal limiter points for each model using precise DSP control.

Employing many of the same protection functions used in our high-end professional power amplifiers, our state-of-the-art DSP consistently monitors the status of the power supply, power amplifiers, transducers, and signal levels, to protect each component in order to maintain optimum performance while extending component life and usability.



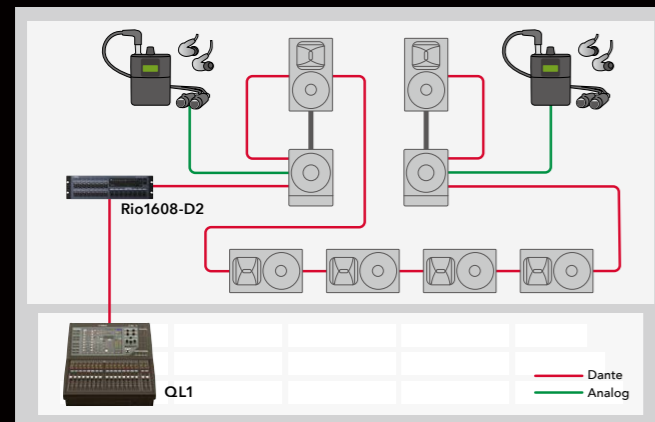


## The first Dante-equipped professional SR loudspeakers

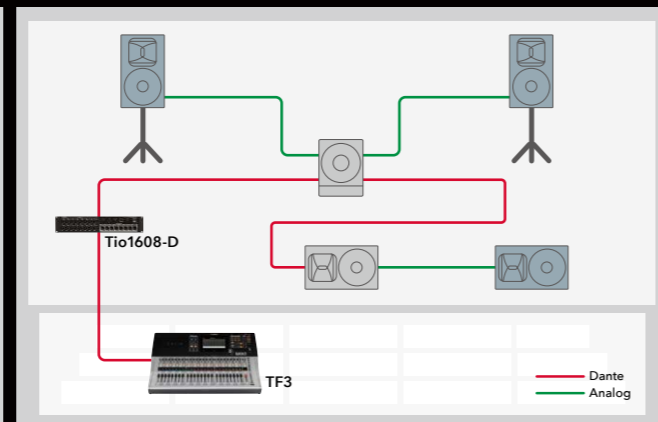
All DZR speakers and DXS-XLF subwoofers come in Dante-equipped "D" models enabling smart system integration with Yamaha consoles and other Dante devices via the Dante I/O (2in/2out) which also features SRC (sample rate conversion) allowing 48kHz device compatibility. Patching is simplified considerably with Yamaha CL/QL digital mixing consoles from the I/O device display, while TF console users can select Quick Config for surprisingly fast, easy set up and operation of a sophisticated sound reinforcement system. Combining the Analog I/O with Dante I/O, opens up flexible routing and system configuration options, while the Dante break-IN and break-OUT functions add even more flexibility by acting as a simple I/O box. What's more, Yamaha's customizable control panel software "ProVisionare Control" for windows and "ProVisionare Touch" for iPad are also Dante compatible, adding more simple remote management of your sound reinforcement system.



### Full Dante Connection

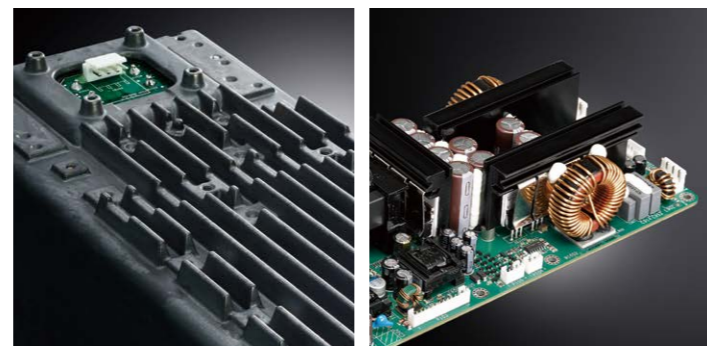


### Mixed Connection



## High power 2000W Class-D amplification

The all new, highly efficient Class-D amplification module produces best-in-class 2000W of power and impressive 143dB SPL. A universal switching mode power supply with PFC maximizes the power output while ensuring stable and worry-free operation. All the amplifiers were selected and optimized to match the full-range DZR's high, mid (only for DZR315), and low frequency transducers, while separate, customized amps were developed for the DXS-XLF subwoofers as well.



## Smart design for professional functionality

DZR15, DZR12 and DZR10 speakers feature a rotatable horn to allow vertical or horizontal mounting to further adapt to the acoustic dimensions of a venue. The coverage angle of the DZR15 is 90x50° and the DZR12 and DZR10 have 90x60° dispersion from a vertical position. The constant directivity horns were designed with the goal of providing smooth, level coverage across the intended coverage area, minimizing roll-off that is common in conventional horn designs.

Our newly developed proprietary LF transducers use large 3" voice coils, cast aluminum frames, and a very strong, lightweight neodymium magnet to handle high power and powerful low frequency response despite the lightweight construction. The response is tightly controlled, particularly in the mid-bass and vocal range, assuring overall response is powerful and distortion-free even at the highest outputs.

The HF transducers are comprised of a 2" voice coil and 1" throat compression driver, a titanium diaphragm and Neodymium magnet housed in a durable heat-resistant aluminum cast frame. The MF transducer for the 3-way DZR315 models feature an 8" Cone and 1.5" voice coil providing better efficiency and super-low distortion for the low-mid frequencies, and contributing to the extraordinarily high 143dB maximum SPL and the clarity of the sound.



The cabinets are constructed from a high grade 15mm thick plywood then painted with an extremely durable, military grade Polyurea coating. The enclosures of the full-range speakers also feature butterfly joints for added strength and cabinet vibration reduction, as well as a wide, flare-shaped port that helps to minimize port noise even at very high output levels. The enclosure design for the DZR15, DZR12 and each of their Dante models, enables mirror-mode monitor placement that produces a symmetrical sound field for the performer, creating a larger, more defined "sweet spot" than conventional monitoring configurations (DZR10/DZR10-D are asymmetric). Used in either a balanced dual-mono configuration or a stereo monitor mix setup, mirror-mode floor monitoring can enhance your playing and performance considerably.

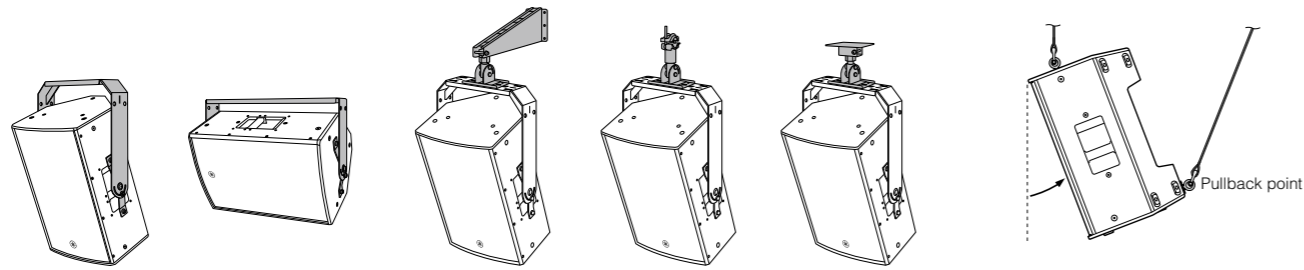
	Coverage Angle		Rotatable	Monitor Angle	Mirroring
	H	V			
DZR315/315-D	75°	50°	-	-	-
DZR15/15-D	90°	50°	⊞	50°	✓
DZR12/12-D	90°	60°	⊞	50°	✓
DZR10/10-D	90°	60°	⊞	50°	-



## U Brackets for vertical or horizontal mounting

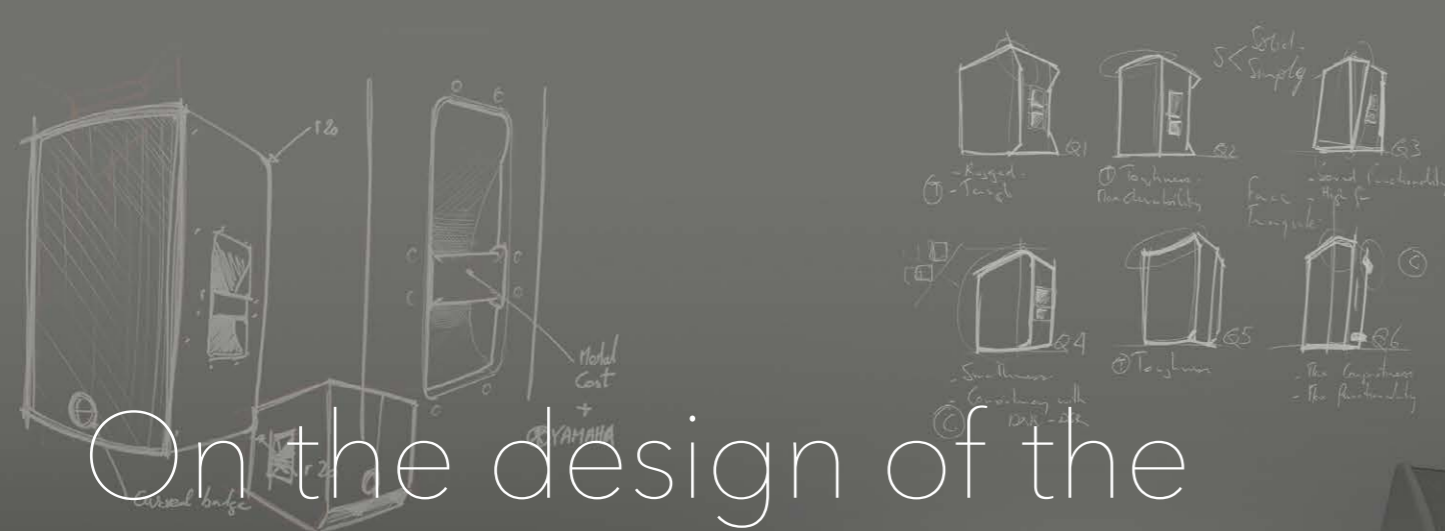
DZR Series loudspeakers offer plenty of rigging points, allowing for rigged application with standard eyebolts\*. Please refer to the specifications for details.

\*Eyebolts not included.



## Utilities for safe and secure operation

DZR Series make it fast and easy to configure panel settings and transfer data via USB, and also feature a panel locking function to keep your settings safe. Users can even export information such as internal device and log data to USB for rapid troubleshooting should difficulties arise.



# On the design of the DZR/DXS-XLF Series

Yamaha's design team share insight on the inspiration behind the development of this new series' lineup.

### Yves Plattard: Designer of DZR/DXS-XLF Series

After designing and developing the DSR/DXR/DBR Series speakers, it was clear to us that the simple yet flexible enclosure would have a broad appeal and, as a result, would be widely accepted throughout the sound reinforcement community. This was an important consideration throughout the design of the DZR, maintaining consistency with the Yamaha speaker design philosophy of simplicity, but also making a subtle expression of the speaker's higher power and superior performance. In fact, our first sketch design presentation was centered around a "simply solid" concept, and after a lengthy trial and error process we finally settled on what we considered to be an uncompromising realization of our vision of an ideal loudspeaker for sound professionals.



This was a speaker lineup that could only be designed by Yamaha.

We combined all the technical essentials of our own DSP technologies with our accrued acoustics, electronics, and state-of-the-art audio networking expertise to develop this new lineup for professional use. Because we have such an extensive history of researching, developing, and adopting technologies in each of these fields we have a unique capacity to draw from, and unify this vast base of knowledge in a way that hasn't really been realized before. During the design of earlier prototypes we did extensive testing at several music festivals under very demanding, tough conditions to really push the speakers in every

### Engineering team



**Ken Iwayama**  
Manager of Speaker and Amplifier Development Group

**Shinya Sonoda**  
Chief Engineer of DZR/DXS-XLF Series

conceivable way. And, as usual, we gathered as much customer feedback and requests regarding our previous DSR and DXR models, in order to solidify our vision of what sound professionals really want from their loudspeakers and reflect their demands in the DZR's design. This approach was also crucial to the development of our new DXS-XLF and CXS-XLF Series subwoofers, realizing an extended LF with a unique and musical tone that could only be achieved by Yamaha's unique cross-section of digital, electronic and acoustic technology expertise.



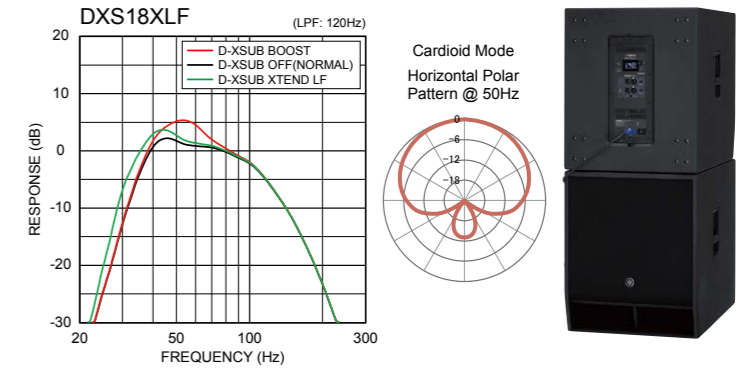
# How Low Can You Go?

Not for the faint of heart, the newest DXS-XLF go deeper than any model before, with an extended low frequency of 30Hz– perfect for professional touring musicians, DJ’s, and sound engineers who need that extra-low, thundering bottom end that you just can’t get from other subwoofers in this class. Flexible DSP and a bass-reflex cabinet design with a wide, flared port ensure your lower frequencies maintain outstanding clarity and musicality even when the volume is cranked.



## Powerful DSP for flexible control

Like the full-range DZR models, the DXS-XLF subwoofers are also driven by 96kHz high power DSP processors and utilize dynamic EQ. Onboard D-XSUB LF processing gives you total management of your lower frequencies with NORMAL mode set for ideally balanced low-frequency response, while BOOST mode provides a tighter and more focused bass with some extra punch. XTENDED LF mode drops the low-end frequencies down even further for thunderous bottom end that delivers a low frequency extension unheard of from a cabinet of this size. Usually the higher the output, the more difficult it is to manage low frequency energy directivity, and significant stage-side sound pressure levels can seriously sabotage your monitoring, but with DXS-XLF setups consisting of two or more subwoofers, selecting the Cardioid Mode effectively decreases the sound pressure on stage while increasing the bottom-end output directed towards the audience, resulting in a much cleaner stage monitoring environment. Without a doubt, your DZR full-range system will reach new performance heights when used with the pronounced, powerful lows of DXS-XLF powered subwoofers.



## Dante-equipped for sophisticated capability with simple connectivity

Just like the DZR Series, each DXS-XLF model comes in a Dante-equipped “D” version enabling smart system integration with Yamaha consoles and other Dante devices via the Dante I/O (2in/2out) which also features SRC (sample rate conversion) allowing 48kHz device compatibility. Patching is simplified considerably with Yamaha CL/QL digital mixing consoles from the I/O device display, while TF console users can select Quick Config for surprisingly fast, easy set up and operation of a sophisticated sound reinforcement system. Combining the Analog I/O with Dante I/O, opens up countless routing and system configuration options, while the Dante break-IN and break-OUT function can add even more flexibility by acting as a simple I/O box. What’s more, Yamaha’s customizable control panel software “ProVisionare Control” for windows and “ProVisionare Touch” for iPad are also Dante compatible, adding more simple remote management of your sound reinforcement system.



## Acoustics and utility

New Yamaha proprietary transducers with a durable die-cast aluminum frame and 4” voice coil are crucial to achieving such impressive low frequency response, even at the highest output levels. A dual damper also helps to realize extraordinarily high linearity of the low frequencies by mitigating unwanted vibration during extreme output levels.



## Durable, portable, and road-ready

DXS-XLF enclosure exteriors feature a durable Polyurea coating with extremely high damage resistance to protect the cabinet from scratches, bumps, or severe weather conditions, maintaining a professional appearance for years to come. Additionally, the new, easy-to-grip aluminum handle, optional SPW1 wheel kit, and SPCVR speaker covers provide additional safety, portability, and peace of mind when you’re on the road.



	Power Rating*1	Maximum SPL*2	Frequency Range (-10dB)	LF
DXS18XLF/18XLF-D	1600W	136dB SPL	30Hz - 150Hz	18" Cone, 4" VC
DXS15XLF/15XLF-D	1600W	136dB SPL	33Hz - 150Hz	15" Cone, 4" VC

\*1 Dynamic power \*2 Measured Maximum SPL (peak)



# Superior Power-Handling. Professional Performance.

The CZR Series is a range of passive loudspeakers offering high power handling and outstanding sonic performance in a portable, lightweight, yet rugged design. The CZR is ideal for a range of live performance and installed sound environments—from live bands at outdoor festivals to DJ’s in clubs—these loudspeakers deliver crystal clear, high-quality sound with impressive low frequency performance. For even more bottom end to round out your sound, adding CXS-XLF Series subwoofers can extend your system’s low frequency performance dramatically down to a startling 29Hz for throbbing low frequency reproduction capability that’s sure to impress.



	Power Rating <sup>*1</sup>	Maximum SPL <sup>*2</sup>	Frequency Range (-10dB) <sup>*3</sup>	LF	HF	Coverage Angle
CZR15	800W	129dB SPL	33Hz - 20kHz	15" Cone, 3" VC	2" VC, 1" Throat	H90° x V50°(Rotatable)
CZR12	800W	129dB SPL	38Hz - 20kHz	12" Cone, 3" VC	2" VC, 1" Throat	H90° x V60°(Rotatable)
CZR10	700W	127dB SPL	43Hz - 20kHz	10" Cone, 3" VC	2" VC, 1" Throat	H90° x V60°(Rotatable)
CXS18XLF	1000W	133dB SPL	29Hz - 150Hz	18" Cone, 4" VC	-	-
CXS15XLF	800W	130dB SPL	33Hz - 150Hz	15" Cone, 4" VC	-	-

\*1 EIA426-A, Passive PGM \*2 Calculated Maximum SPL (peak) \*3 With recommended DSP processing

## Focused sound for flexible installation

The CZR Series features 15", 12" and 10" models with transducers using die-cast aluminum frames with a 3" voice coil for very high power input, and a lightweight yet powerful neodymium magnet that helps to add punch and power to your low frequencies. The HF unit achieves vivid, soaring highs from its titanium diaphragm with a 2" voice coil and neodymium magnet. Like the DZR, the CZR models also feature the rotatable constant directivity horn design (90°x 50° for the CZR15, and 90°x 60° for the CZR12 and CZR10) for increased flexibility in mounting vertically or horizontally.



## Best in class SPL performance

The CZR15 and CZR12 can both produce 129dB SPL with a power rating of 800W for the CZR15 and CZR12, and 700W for the CZR10 in passive mode. Every CZR model is also equipped with Biamp mode to maximize performance. The CXS-XLF Series consists of two passive subwoofers, the CXS18-XLF (18-inch) and the CXS15-XLF (15-inch).



## Intelligent processing to maximize system performance

When used in combination with Yamaha PX Series amplifiers or other compatible signal processors, CZR Series loudspeakers can take full advantage of dedicated speaker processor tuning settings. Additionally, like the DXS-XLF models, CXS-XLF subwoofers are capable of use in cardioid mode provided the processor has the dedicated DSP settings (visit Yamaha pro-audio website for more information).



## Premium materials. Road-tested toughness

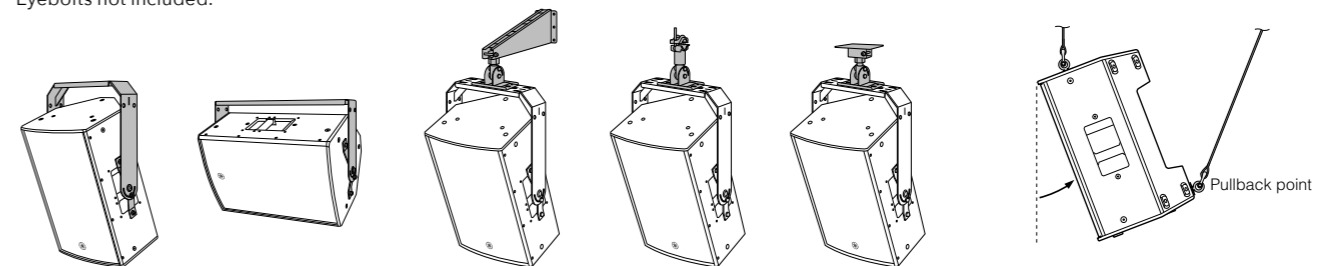
The specially designed enclosure features lightweight and robust premium plywood with a scratch-resistant, rugged Polyurea coating for improved portability and durability on the road, as well as two different sockets for pole-mounting at either -7° down tilt or level. The CXS-XLF are equipped with both a 35mm pole socket and an M20 threaded socket to support a full range cabinet. Neutrik speakON NL4MP connectors provide safe and reliable connectivity.



## Flexible deployment options

CZR Series loudspeakers come equipped with plenty of flypoints for any installation environment, allowing for rigged application with standard eyebolts\*. Specialized U brackets are also available for convenient flying/hanging installation. Please check the Yamaha pro-audio website for more information about rigging options.

\*Eyebolts not included.





# Functional Specifications

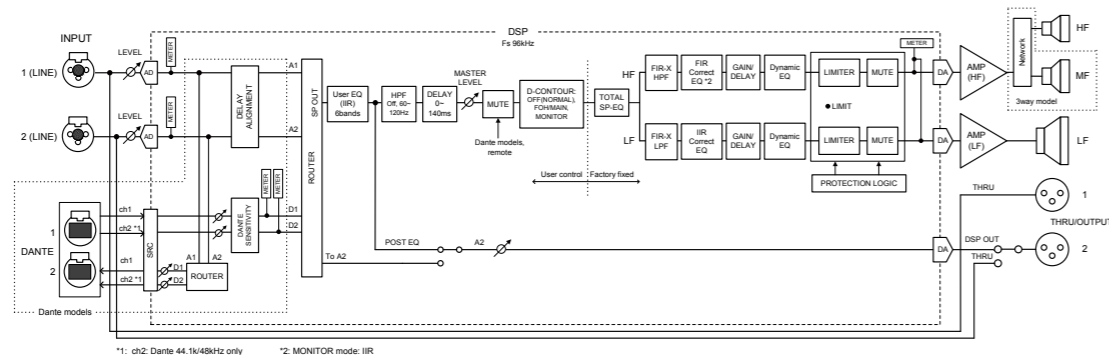
0dBu is referenced to 0.775Vrms.

General Specifications		DZR315/315-D	DZR15/15-D	DZR12/12-D	DZR10/10-D	DXS18XLF/18XLF-D	DXS15XLF/15XLF-D	
System Type		3-way, Bi-amped Powered Speaker, Bass-reflex	2-way, Bi-amped Powered Speaker, Bass-reflex			Powered Subwoofer, Bass-reflex		
Frequency Range (-10dB)		31Hz - 20kHz	34Hz - 20kHz		39Hz - 20kHz	44Hz - 20kHz	30Hz - 150Hz	
Coverage Angle		H75° x V50°	H90° x V50° (Rotatable)		H90° x V60° (Rotatable)	H90° x V60° (Rotatable)	-	
Crossover Frequency, Type		700Hz (FIR-X) 2.5kHz (Passive)	1.7kHz (FIR-X)		1.8kHz (FIR-X)	1.8kHz (FIR-X)	-	
Maximum SPL <sup>*1</sup>		143dB SPL	139dB SPL		139dB SPL	137dB SPL	136dB SPL	
Transducers	LF	15" Cone, 3" Voice Coil, Neodymium magnet	15" Cone, 3" Voice Coil, Neodymium magnet		12" Cone, 3" Voice Coil, Neodymium magnet	10" Cone, 3" Voice Coil, Neodymium magnet	18" Cone, 4" Voice Coil, Ferrite magnet	
	MF	8" Cone, 1.5" Voice Coil, Ferrite magnet	-		-	-	-	
	HF	2" Voice Coil, 1" Throat Compression Driver, Titanium diaphragm, Neodymium magnet						
Enclosure Material, Finish, Color		Plywood, Durable Polyurea coating, Black						
Floor Monitor Angle		-	50° Symmetrical		50° Symmetrical	50°	-	
Dimensions (WxHxD, with rubber feet)		550 x 897 x 520mm 21.6" x 35.3" x 20.5"	450 x 761 x 460mm 17.7" x 30.0" x 18.1"		410 x 646 x 394mm 16.1" x 25.4" x 15.5"	315 x 537 x 345mm 12.4" x 21.1" x 13.6"	550 x 657 x 720mm 21.7" x 25.9" x 28.3"	
Net Weight		41.6kg (91.7lbs)	25.2kg (55.6lbs)		21.4kg (47.2lbs)	17.9kg (39.5lbs)	48.9kg (107.8lbs)	
Handles		Aluminium die-cast, Side x2			Aluminium die-cast, Top x1, Side x1		Aluminium die-cast, Side x2	
Pole Socket		-	Φ35 mm x2 (0° or -7°)		-	-	Φ35 mm (depth 80mm), M20 (Threaded depth 25mm)	
Rigging points		M10 x16	M10 x12		M10 x8, M8 x2		-	
Amplifier Type		Class-D					Class-D	
Power Rating	Dynamic <sup>*2</sup>	2000W (LF:1000W, MF/HF: 1000W)					1600W	
	Continuous	1300W (LF: 920W, MF/HF: 380W)					1230W	
Cooling		Fan cooling, Variable speeds.						
DSP, AD/DA		96kHz processing with 96kHz AD/DA and FIR filter						
Connectors		Analog IN: Combo x2, Line level (Maximum +24dBu), Input impedance 20kΩ Analog OUT: XLR3-32 x2, CH1: THRU (fix), CH2: THRU or DSP OUT Dante (-D model only): etherCON CAT5e x2 (Daisy Chain), 2 IN/2 OUT (Fs: 44.1k, 48k, 88.2k, 96k) and Remote Control, 1000BASE-T USB: USB2.0 Host 5V 500mA, for USB memory DATA storage/load AC IN: IEC AC inlet x1 (V-Lock)					XLR3-32 x2, CH1/2: THRU or DSP OUT	
Idle Power Consumption		45W					40W	
1/8 Power Consumption		150W					180W	
Options	U Bracket	-	UB-DZR15H/V	UB-DZR12H/V	UB-DZR10H/V	-	-	
	Cover	SPCVR-DZR315	SPCVR-DZR15	SPCVR-DZR12	SPCVR-DZR10	SPCVR-DXS18X	SPCVR-DXS15X	
	Wheel Kit	-	-	-	-	SPW-1	-	

\*1: Measured peak SPL with pink noise @1m. \*2: Total peak power of individual outputs (AC 120V, 25°C). This value was measured at minimum load impedance, with protection released.

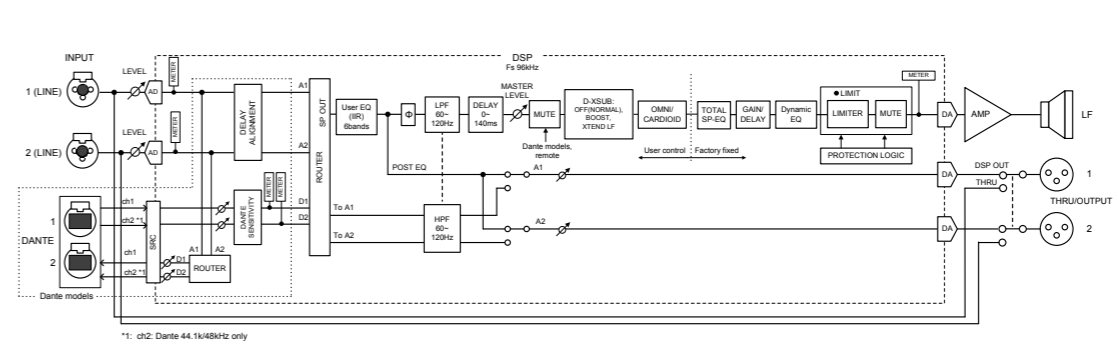
## Block Diagrams

DZR(-D)



\*1: ch2: Dante 44.1k/48kHz only \*2: MONITOR mode: IIR

DXS-XLF(-D)



\*1: ch2: Dante 44.1k/48kHz only



# Functional Specifications

General Specifications		CZR15	CZR12	CZR10
System Type		2-way Speaker, Bass-reflex		
Frequency Range (-10dB)	Passive	43Hz - 20kHz	43Hz - 20kHz	43Hz - 20kHz
	Normal *1	34Hz - 20kHz	42Hz - 20kHz	46Hz - 20kHz
	FOH *1	33Hz - 20kHz	38Hz - 20kHz	43Hz - 20kHz
Coverage Angle		H90° x V50° Rotatable Constant Directivity Horn	H90° x V60° Rotatable Constant Directivity Horn	H90° x V60° Rotatable Constant Directivity Horn
Crossover Frequency (Passive)		2.0kHz	2.0kHz	2.5kHz
Nominal Impedance	Passive	8Ω	8Ω	8Ω
	Bi-amp	LF: 8Ω, HF: 16Ω	LF: 8Ω, HF: 16Ω	LF: 8Ω, HF: 16Ω
Power Rating (EIA 426-A)	Passive	NOISE	400W	400W
		PGM	800W	800W
		MAX	1600W	1400W
Power Rating (LF: EIA 426-A) (HF: AES)	Bi-amp	NOISE	LF: 400W, HF: 50W	LF: 350W, HF: 50W
		PGM	LF: 800W, HF: 100W	LF: 700W, HF: 100W
		MAX	LF: 1600W, HF: 200W	LF: 1400W, HF: 200W
Sensitivity (1W, 1m) *2	Passive	97dB SPL	97dB SPL	95dB SPL
	Bi-amp	LF: 99dB SPL, HF: 108dB SPL	LF: 97dB SPL, HF: 108dB SPL	LF: 95dB SPL, HF: 108dB SPL
Maximum SPL (Calculated, 1m) *2	Passive	129dB SPL	129dB SPL	127dB SPL
	Bi-amp	LF: 131dB SPL, HF: 131dB SPL	LF: 129dB SPL, HF: 131dB SPL	LF: 127dB SPL, HF: 131dB SPL
Transducers	LF	15" Cone, 3" Voice Coil, Neodymium magnet	12" Cone, 3" Voice Coil, Neodymium magnet	10" Cone, 3" Voice Coil, Neodymium magnet
	HF	2" Voice Coil, 1" Throat Compression Driver, Titanium diaphragm, Neodymium magnet		
Enclosure Material, Finish, Color		Plywood, Durable Polyurea coating, Black		
Floor Monitor Angle		50° Symmetrical	50° Symmetrical	50°
Dimensions (WxHxD, with rubber feet)		450 x 761 x 460mm (17.7" x 30.0" x 18.1")	410 x 646 x 394mm (16.1" x 25.4" x 15.5")	315 x 537 x 345mm (12.4" x 21.1" x 13.6")
Net Weight		21.3kg (47.0lbs)	18.0kg (39.7lbs)	14.0kg (30.9lbs)
Handles		Aluminium die-cast, Side x2		Aluminium die-cast, Top x1, Side x1
Pole Socket		Φ35 mm x 2 (0° or -7°)		
Rigging points		M10 x 12		M10 x 8, M8 x 2
Connectors		SpeakON NL4MP x 2 (Parallel)		
Optional Bracket		UB-DZR15H/V	UB-DZR12H/V	UB-DZR10H/V
Optional Cover		SPCVR-DZR15	SPCVR-DZR12	SPCVR-DZR10

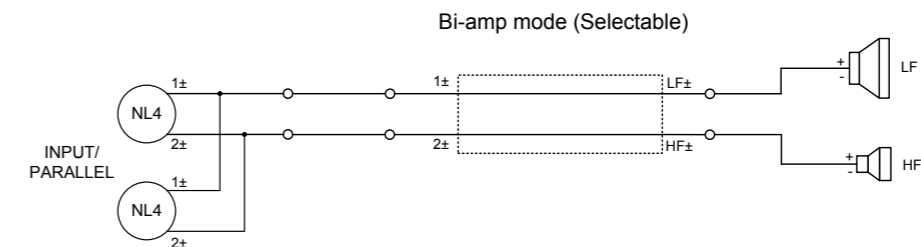
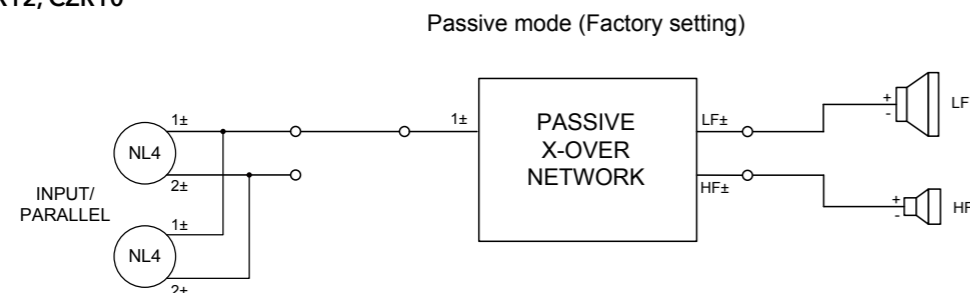
\*1: with recommended DSP processing. \*2: Full-space (4π)

General Specifications		CXS18XLF	CXS15XLF
System Type		Subwoofer, Bass-reflex	
Frequency Range (-10dB)	Passive	32Hz - 3kHz	33Hz - 3.5kHz
	Normal *1	32Hz - 150Hz	35Hz - 150Hz
	Extend *1	29Hz - 150Hz	33Hz - 150Hz
Nominal Impedance		8Ω	8Ω
Power Rating (EIA 426-A)	NOISE	500W	400W
	PGM	1000W	800W
	MAX	2000W	1600W
Sensitivity (1W, 1m) *2		100dB SPL	98dB SPL
Maximum SPL (Calculated, 1m) *2		133dB SPL	130dB SPL
Transducer		LF	18" Cone, 4" Voice Coil, Ferrite magnet
Enclosure Material, Finish, Color		Plywood, Durable Polyurea coating, Black	
Dimensions (WxHxD, with rubber feet)		550 x 657 x 720mm (21.6" x 25.9" x 28.4")	450 x 587 x 600mm (17.7" x 23.1" x 23.6")
Net Weight		43.6kg (96.1lbs)	35.6kg (78.5lbs)
Handles		Aluminium die-cast, Side x2	
Pole Socket		Φ35 mm (depth 80mm), M20 (Threaded depth 25mm)	
Rigging points		-	
Connectors		SpeakON NL4MP x 3 (Parallel x2, Output x1)	
Optional Wheel Kit		SPW-1	
Optional Cover		SPCVR-DXS18X	SPCVR-DXS15X

\*1: with recommended DSP processing. \*2: half space (2π)

# Block Diagrams

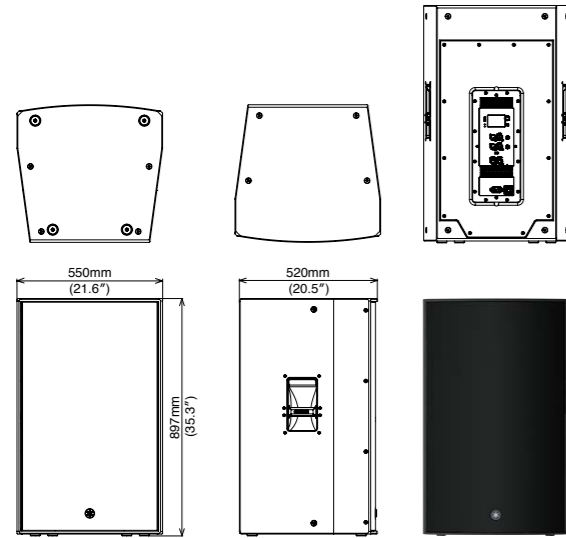
## CZR15, CZR12, CZR10



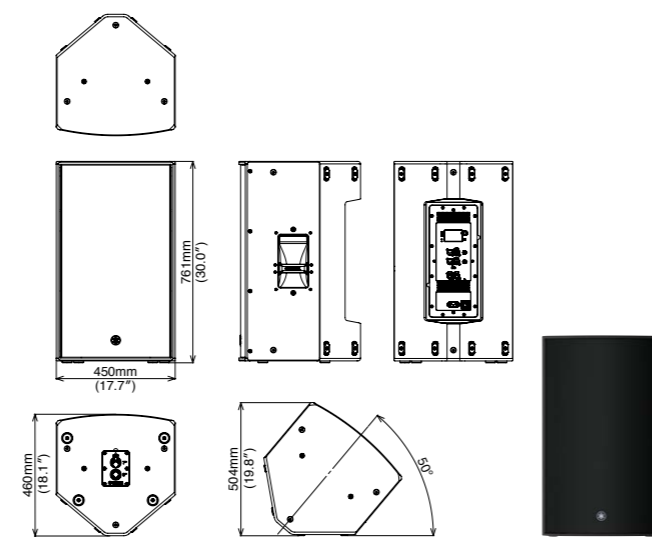


POWERED LOUDSPEAKERS  
**DZR SERIES**

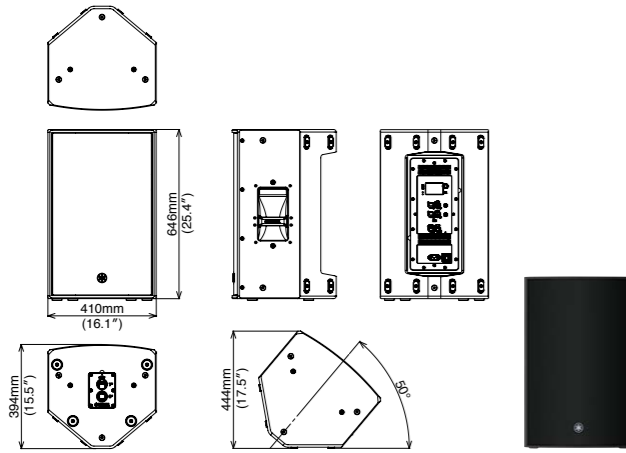
**DZR315/315-D**



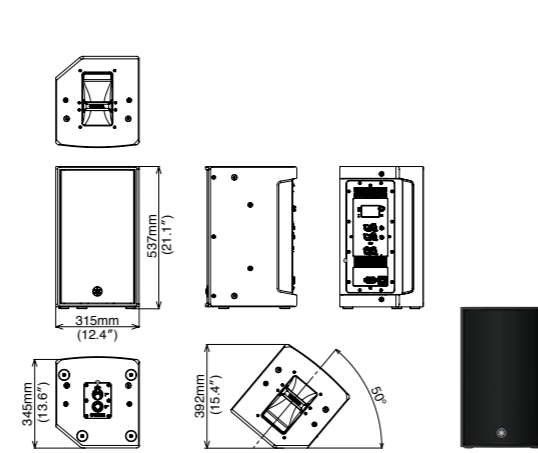
**DZR15/15-D**



**DZR12/12-D**

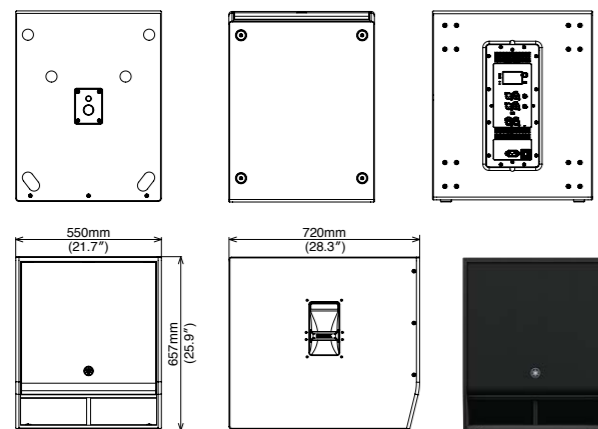


**DZR10/10-D**

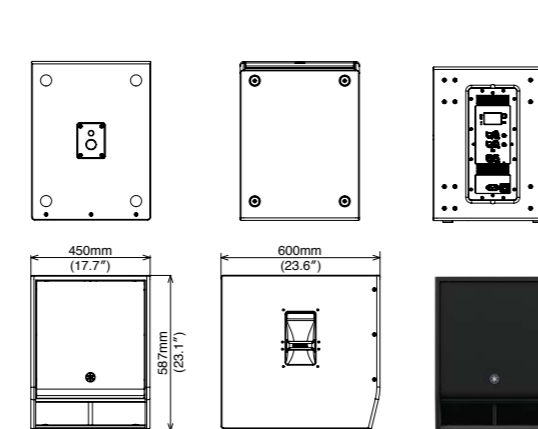


POWERED SUBWOOFERS  
**DXS XLF SERIES**

**DXS18XLF/18XLF-D**

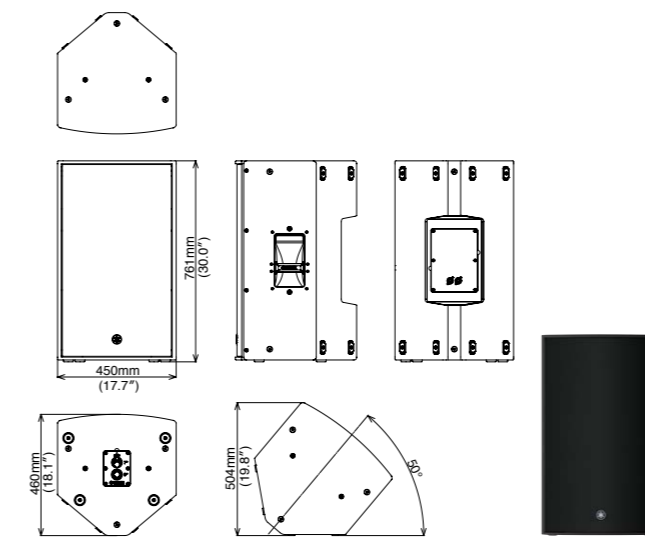


**DXS15XLF/15XLF-D**

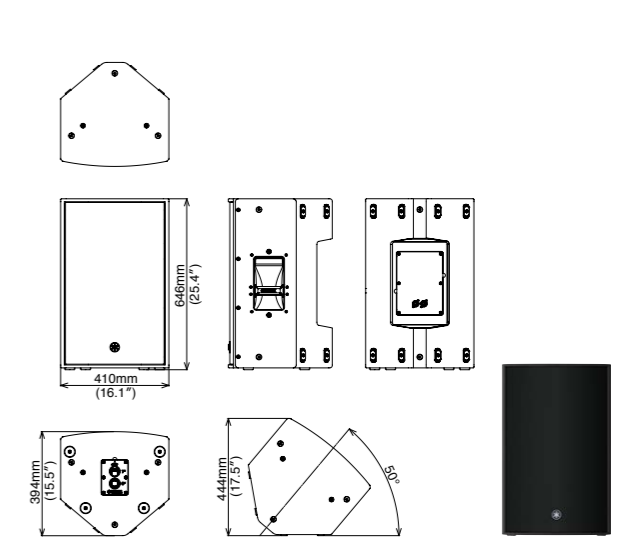


LOUDSPEAKERS  
**CZR SERIES**

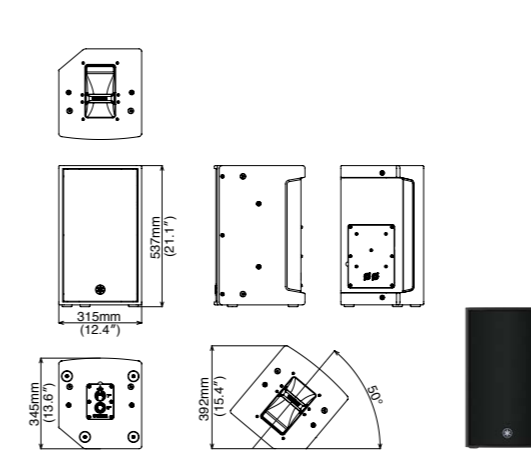
**CZR15**



**CZR12**

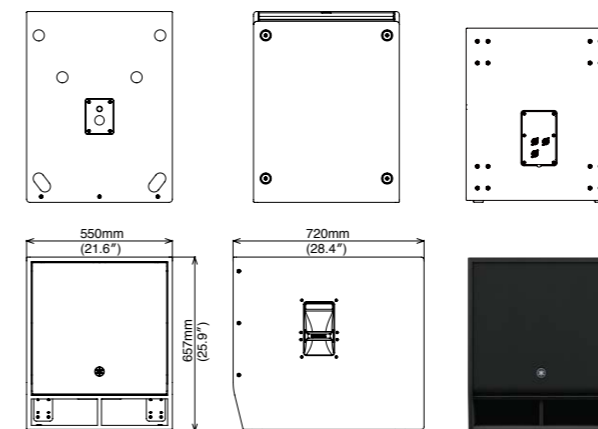


**CZR10**

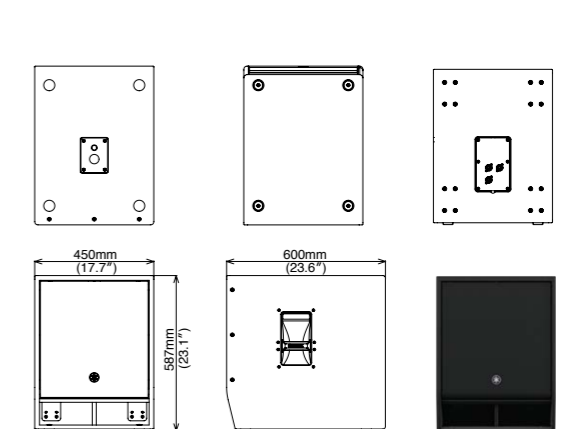


SUBWOOFERS  
**CXS XLF SERIES**

**CXS18XLF**



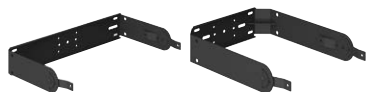
**CXS15XLF**





## Optional Brackets

U Bracket



Wall Bracket



Baton Bracket



Ceiling Bracket

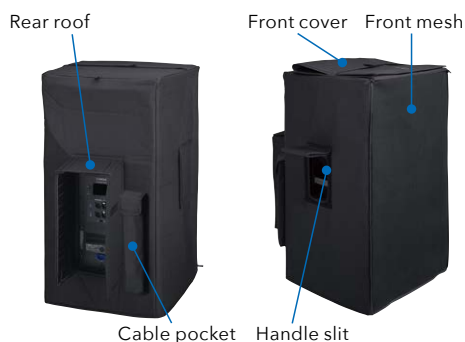


		BWS251-300 BWS251-400	BBS251	BCS251
UB-DZR15H UB-DZR15V	DZR15/15-D	-	-	-
	CZR15	✓	✓	✓
UB-DZR12H UB-DZR12V	DZR12/12-D	✓	✓	✓
	CZR12	✓	✓	✓
UB-DZR10H UB-DZR10V	DZR10/10-D	✓	✓	✓
	CZR10	✓	✓	✓

## Functional Speaker Covers

Functional speaker covers protect your speakers from unfavorable weather conditions during outdoor performances, dusty and dirty warehouse storage, or the rigors of equipment transport on the road.

SPCVR-DZR315 on DZR315

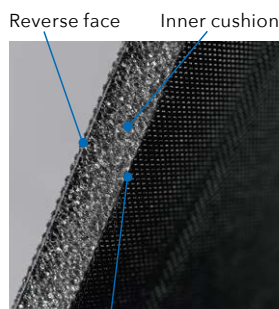


SPCVR-DXS18X on DXS18XLF



Model	Compatible Speakers
SPCVR-DZR315	DZR315/315-D
SPCVR-DZR15	DZR15/15-D
SPCVR-DZR12	DZR12/12-D
SPCVR-DZR10	DZR10/10-D
SPCVR-DXS18X	DXS18XLF/18XLF-D
SPCVR-DXS15X	DXS15XLF/15XLF-D

### Trilimnar fabric



Polyester surface with PVC coating backside

## Optional Wheel kit

For more fast and convenient setup of your subwoofers, optional wheels are available, featuring radial ball bearings that ensure quiet during your performance.



Model	Compatible Speakers
SPW-1	DXS18XLF/18XLF-D
	DXS15XLF/15XLF-D
	CXS18XLF/CXS15XLF
	DXS18/DXS15mkII/DXS12mkII

\*Please visit our Web site for the latest information (<http://www.yamaha.com/proaudio>)

## Official Yamaha Pro Audio Instagram Account

The Yamaha Pro Audio Instagram page showcases the leading Yamaha technologies that continue to support sound engineers and music lovers worldwide.



@yamaha\_proaudio\_official



SHARING PASSION & PERFORMANCE

YAMAHA CORPORATION  
P.O. BOX 1, Hamamatsu Japan

[www.yamaha.com/proaudio](http://www.yamaha.com/proaudio)

\*All specifications are subject to change without notice.

\*All trademarks and registered trademarks are property of their respective owners.

LPA681



P10028817